

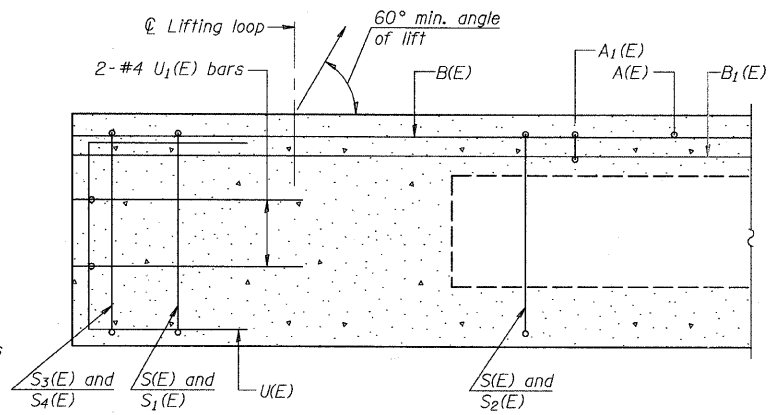
STATE OF ILLINOIS
DEPARTMENT OF TRANSPORTATION

BAR LIST
ONE BEAM ONLY
(For information only)

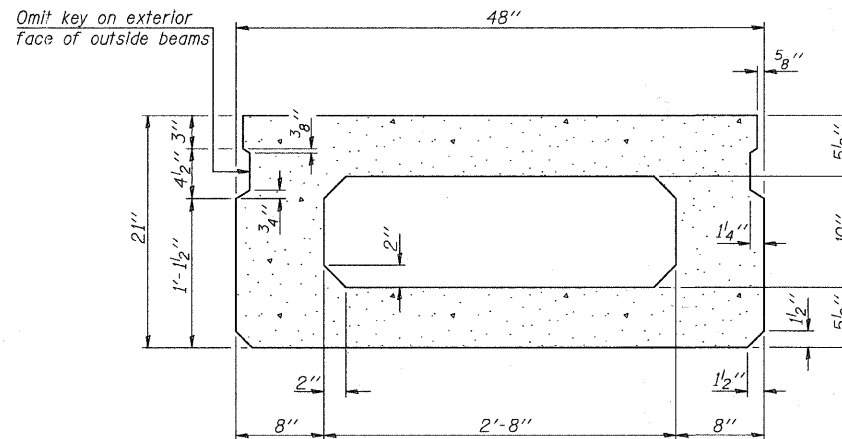
Bar	No.	Size	Length	Shape
A(E)	16	#4	3'-7"	—
A ₁ (E)	30	#4	3'-10"	~
B(E)	10	#5	26'-2"	—
B ₁ (E)	8	#4	25'-11"	—
D(E)	68	#5	6'-3"	⌈
S(E)	76	#4	7'-5"	⌈
S ₁ (E)	8	#4	5'-11"	⌈
S ₂ (E)	68	#4	6'-2"	⌈
S ₃ (E)	12	#4	4'-9"	⌈
S ₄ (E)	12	#4	4'-0"	⌈
U(E)	12	#5	4'-0"	⌈
U ₁ (E)	4	#4	6'-6"	⌈

Note: See sheet 6 of 12 for additional details and Bill of Material.

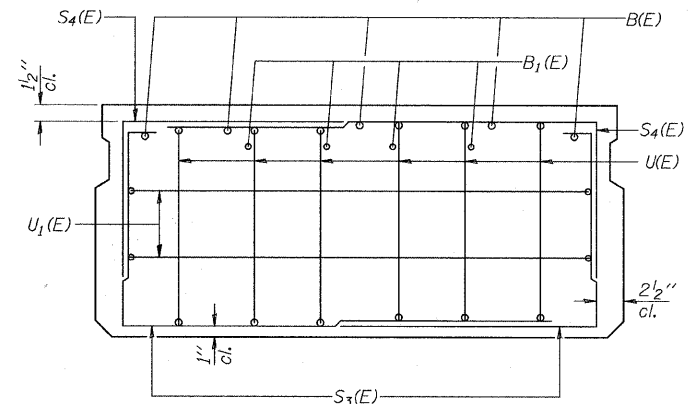
* Beams 1 & 10 only



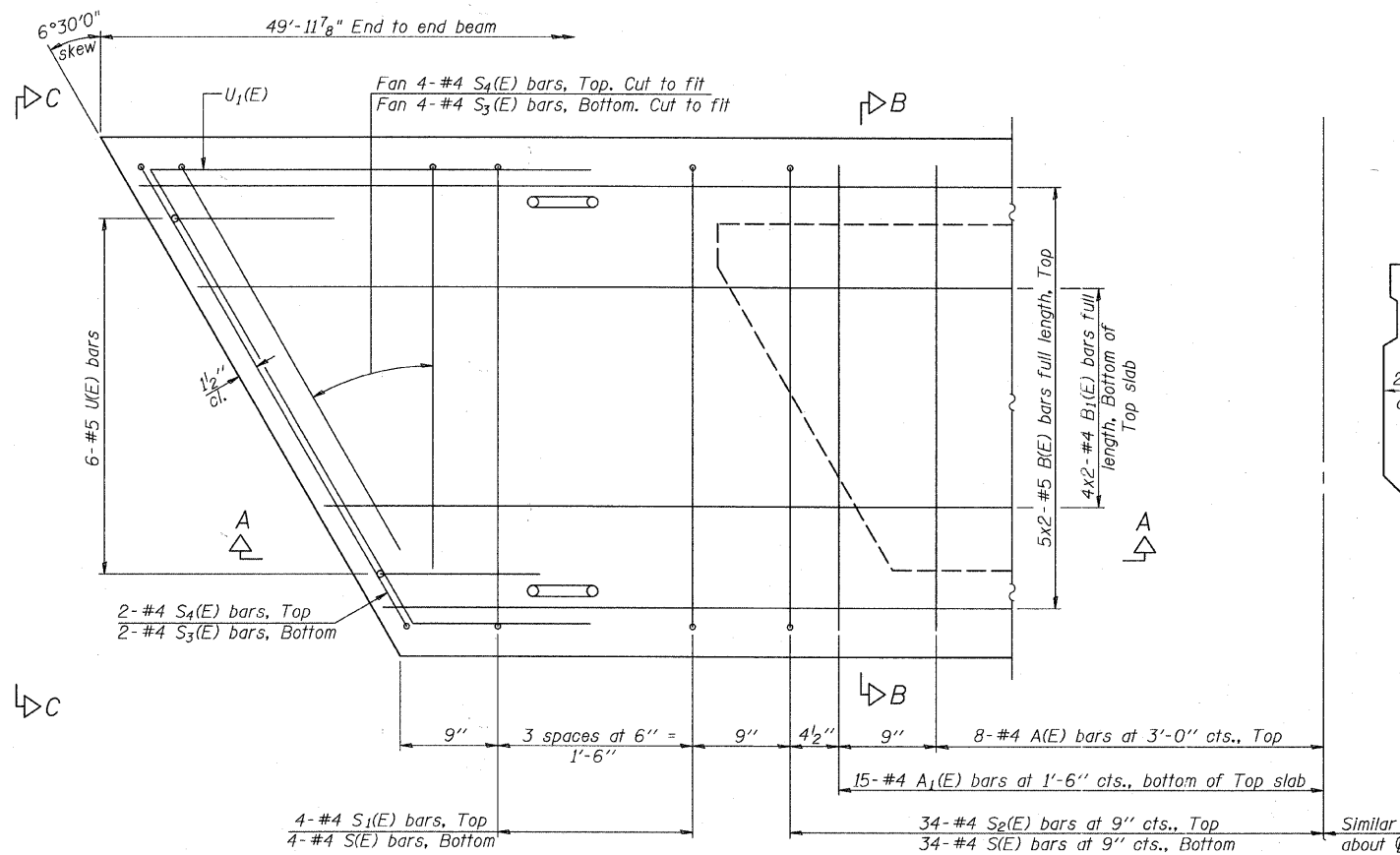
SECTION A-A



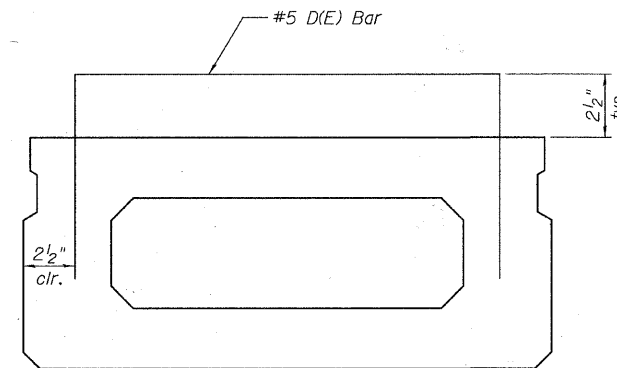
SECTION B-B
(Showing dimensions)



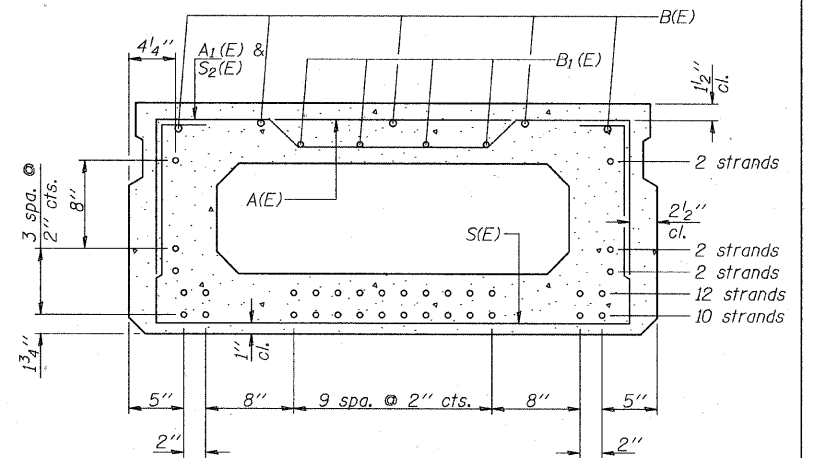
VIEW C-C



PLAN VIEW



DECK BEAMS 1 & 10
(Showing additional reinforcement)



SECTION B-B
(Showing reinforcement and permissible strand locations)

Note: Place the number of strands specified in each row symmetrically about the centerline of beam in the permissible strand locations shown.

MINIMUM BAR LAP

#4 bar = 2'-0"
#5 bar = 2'-6"

Note: Spacing of S(E) and S₂(E) bars may be adjusted up to 4" in the immediate area of the transverse tie diaphragms to miss the block outs for the transverse ties.

DESIGNED	DYS
CHECKED	JPB
DRAWN	DYS
CHECKED	JPB

URS
100 South Wacker Drive, Suite 500
Chicago, IL 60606
Tel: 312.939.1000
Fax: 312.939.4198

SUPERSTRUCTURE
21"X48" PPC DECK BEAM
STRUCTURE NO. 049-6161

SHEET NO.	F.A.U. RTE.	SECTION	COUNTY	TOTAL SHEETS	SHEET NO.
S-5		09-00085-00-BR	LAKE	22	13
12 SHEETS			CONTRACT NO. 63584		
FED. ROAD DIST. NO. _ ILLINOIS FED. AID PROJECT					