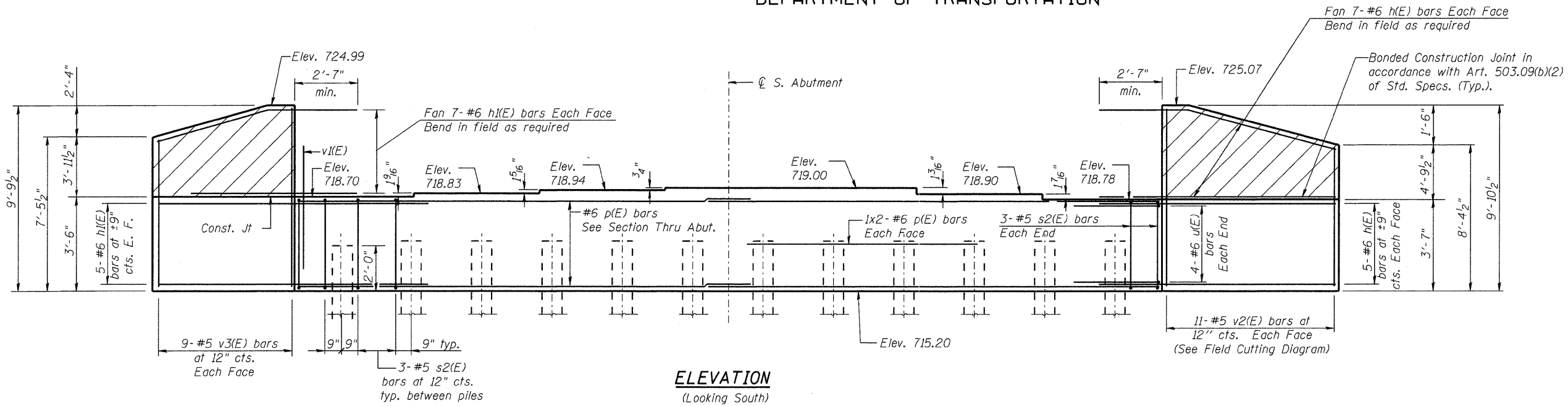
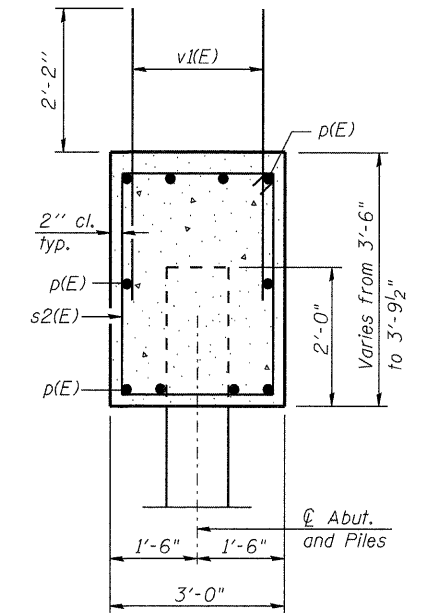


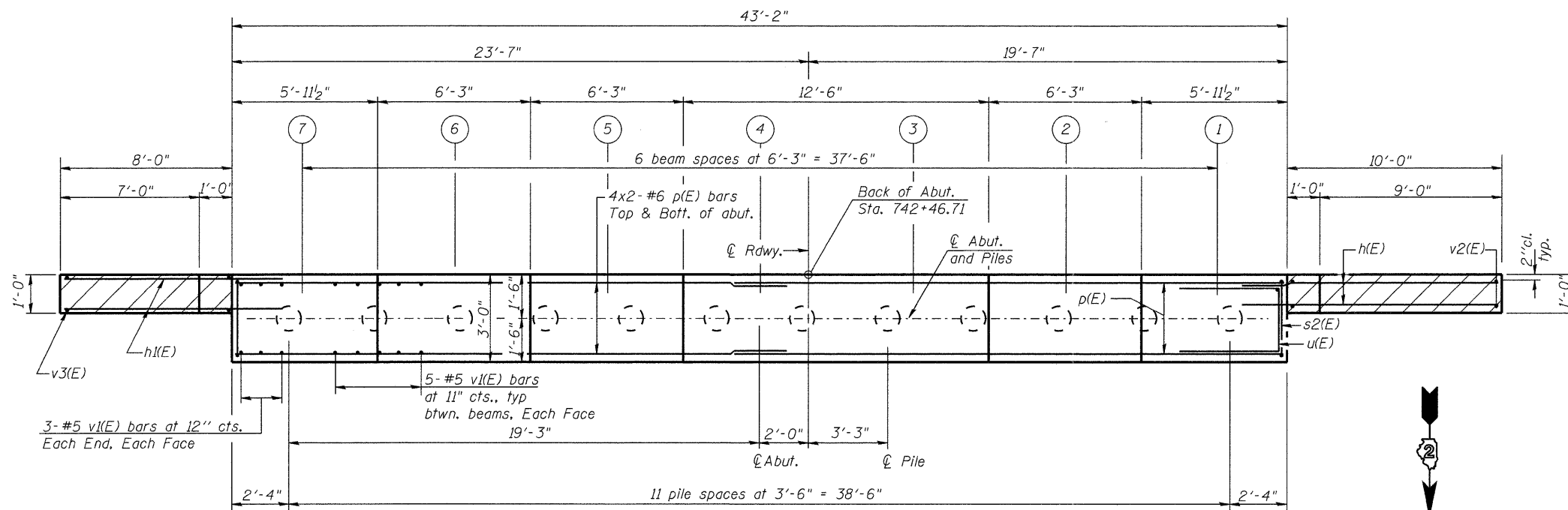
STATE OF ILLINOIS  
DEPARTMENT OF TRANSPORTATION



**ELEVATION**  
(Looking South)



**SEC. THRU ABUT.**



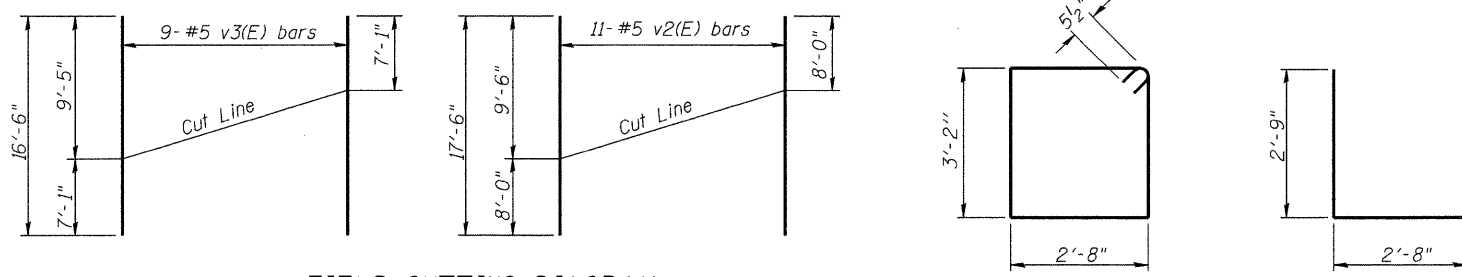
**PLAN**

**PILE DATA**

Type and Size: 12"  $\phi$  Metal Shell w/1/4" walls  
Nominal Required Bearing: 330 kips  
Allowable Resistance Available: 110 kips  
Est. Pile Length: 47'  
Number of Production: 11  
Number of Test Piles: 1  
The metal shell piles shall be according to ASTM A252, Grade 3.

**BILL OF MATERIAL**

Bar	No.	Size	Length	Shape
h(E)	24	#6	13'-1"	—
h1(E)	24	#6	11'-1"	—
p(E)	20	#6	22'-6"	—
s2(E)	39	#5	12'-7"	□
u(E)	8	#6	8'-2"	—
v1(E)	72	#5	4'-4"	—
v2(E)	11	#5	17'-6"	—
v3(E)	9	#5	16'-6"	—
Concrete Structures		Cu. Yd.	20.0	
Reinforcement Bars, Epoxy Coated		Pound	2840	
Test Pile Metal Shell		Each	1	
Furnishing Metal Shell Piles, 12" x 0.250"		Foot	517	
Driving Piles		Foot	517	
Structure Excavation		Cu. Yd.	158	



**FIELD CUTTING DIAGRAM**

Order v2(E) & v3(E) full length. Cut as shown and use remainder of bars in opposite face.

**BAR s2(E)**

**BAR u(E)**

- Notes: 1) Pour steps monolithically with cap.  
2) Reinforcement bars designated (E) shall be epoxy coated.  
3) All edges shall have 3/4" chamfers except as noted.  
4) Hatched area to be poured with deck after beams are in place. Quantity of concrete for hatched area included with "Concrete Superstructure" on Sheet 15.  
5) The test pile shall be driven to 110 percent of the Nominal Required Bearing indicated in the pile data information.

DESIGNED - JAN
CHECKED - BTO
DRAWN - BTO
CHECKED - JAN

SHEET NO. 20 30 SHEETS	F.A.P. RTE. 734	SECTION 77-2B-1, 77-2-2	COUNTY WINNEBAGO	TOTAL SHEETS 530	SHEET NO. 292
	CONTRACT NO. 64813			FED. ROAD DIST. NO. ILLINOIS FED. AID PROJECT	

Revised 6/1/2011, JAN

**SOUTH ABUTMENT NORTHBOUND  
STRUCTURE NO. 101-0178**