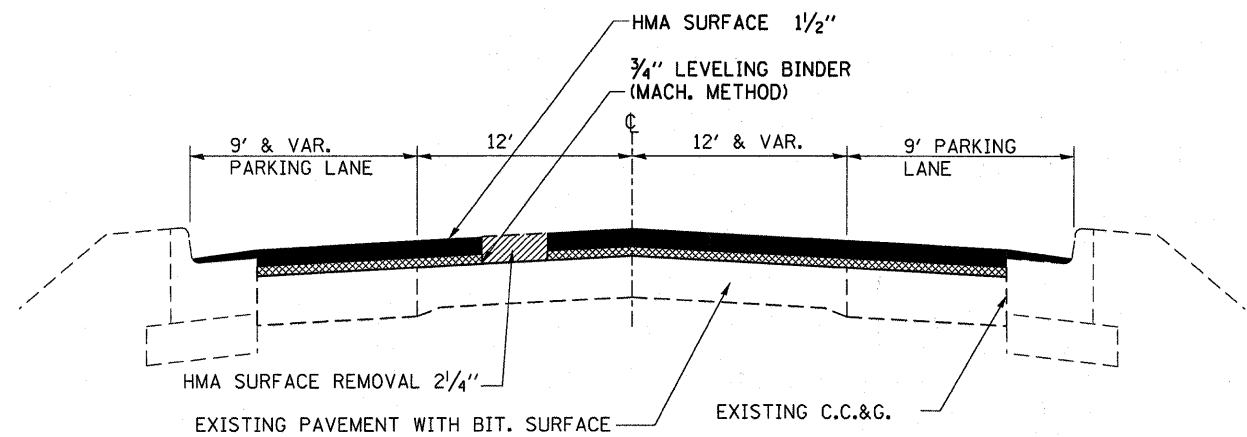
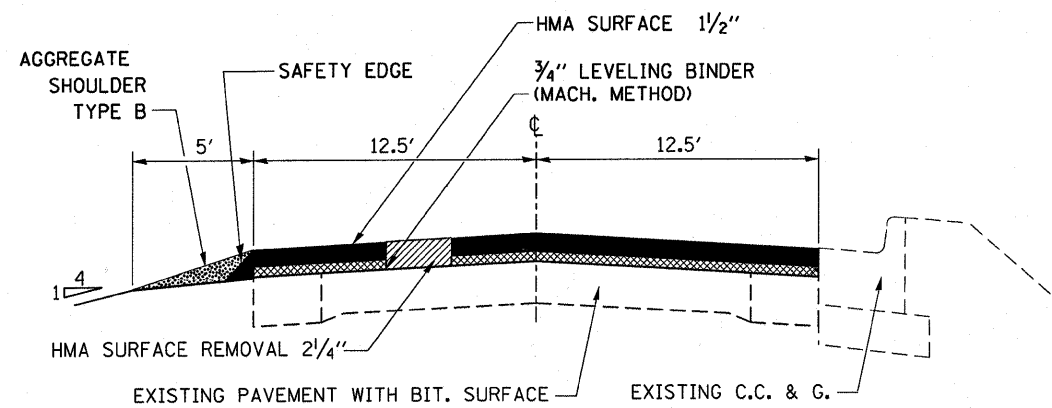


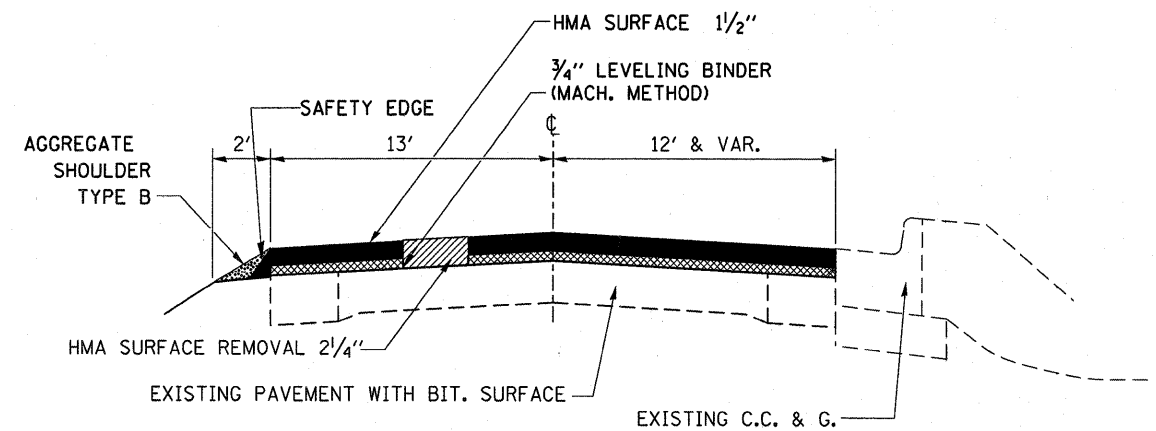
STA. 950+52 - 955+69



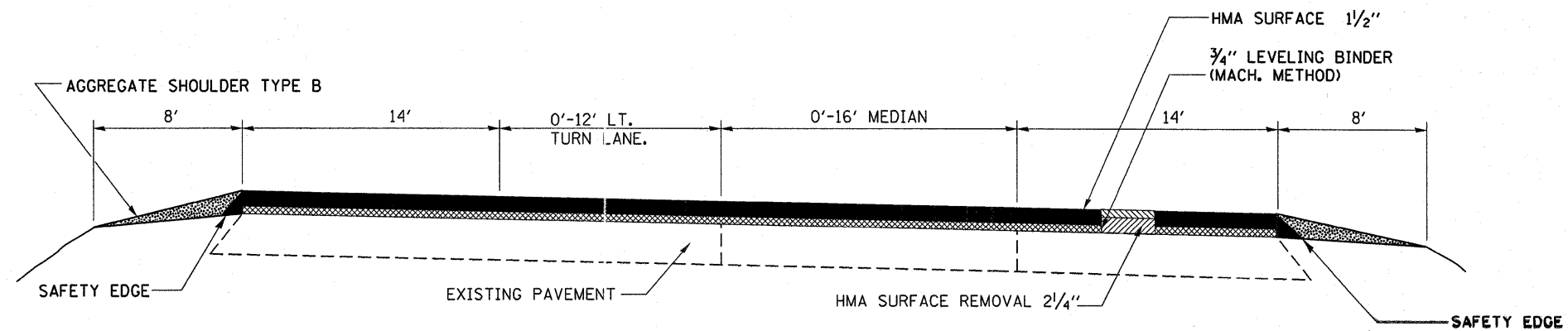
STA. 970+88 - 993+40



STA. 964+52 - 970+88



STA. 993+40 - 999+50



**IL.92
STA. 889+60 - 908+10**

| | | | |
|--|------------------------------|------------|-----------|
| FILE NAME = | USER NAME = monellyr | DESIGNED - | REVISED - |
| c:\pwwork\pwwork\monellyr\d0125088\0366917-sht-details.DGN | | DRAWN - | REVISED - |
| | PLOT SCALE = 50.2743' / 1" = | CHECKED - | REVISED - |
| | PLOT DATE = 4/19/2011 | DATE - | REVISED - |

**STATE OF ILLINOIS
DEPARTMENT OF TRANSPORTATION**

TYPICAL SECTIONS

SCALE: SHEET NO. 1 OF 1 SHEETS STA. 950+79 TO STA. 1000+00

| F.A. RTE. | SECTION | COUNTY | TOTAL SHEETS | SHEET NO. |
|---------------------------|----------|--------|--------------------|-----------|
| 698 | (22)RS-5 | BUREAU | 18 | 5 |
| ILLINOIS FED. AID PROJECT | | | CONTRACT NO. 66917 | |