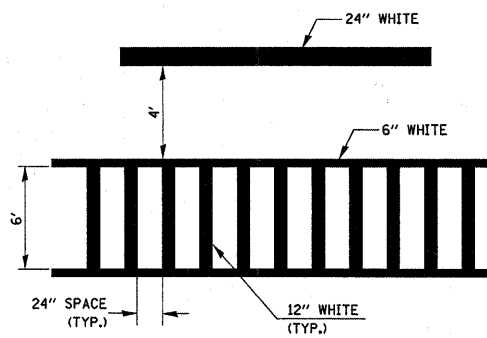
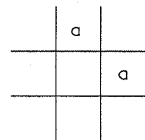


PAVEMENT MARKING



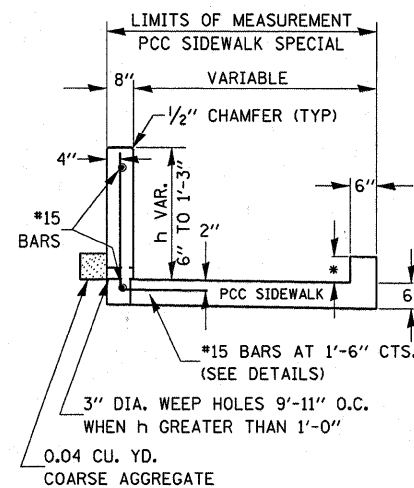
TYPICAL SPACING DETAIL FOR CROSSWALKS AND STOP BARS



LEGEND HEIGHT	ARROW SIZE	a
6'	SMALL	2.9
8'	LARGE	3.8

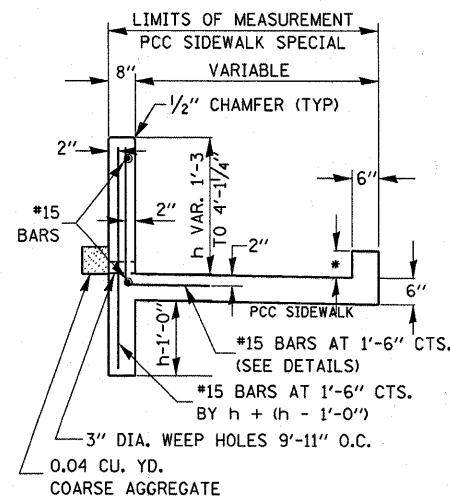
THE SPACE BETWEEN ADJACENT LETTERS OR NUMERALS SHOULD BE APPROXIMATELY 3' FOR 6' LEGEND AND 4' FOR 8' LEGEND.

LETTER AND ARROW GRID SCALE



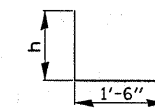
TYPE 1

APPLIED AT LOCATIONS WHERE WALL HEIGHT VARIES FROM 6" TO 1'-3"



TYPE 2

APPLIED AT LOCATIONS WHERE WALL HEIGHT VARIES FROM 1'-3" TO 4'-1/4"



BENT BAR DETAIL

PCC SIDEWALK SPECIAL WITH RETAINING WALL

AT FRANKLIN ST & US34, NW, SW, NE QUADRANTS