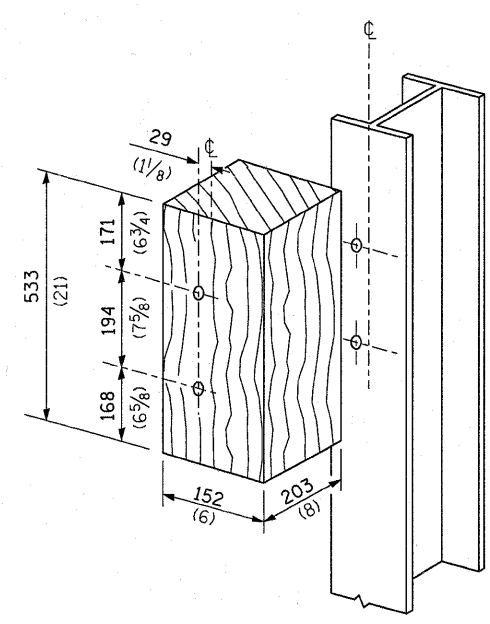
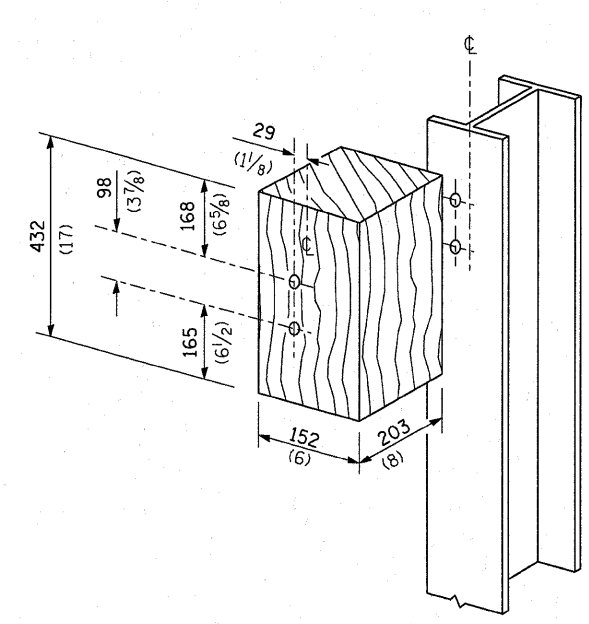


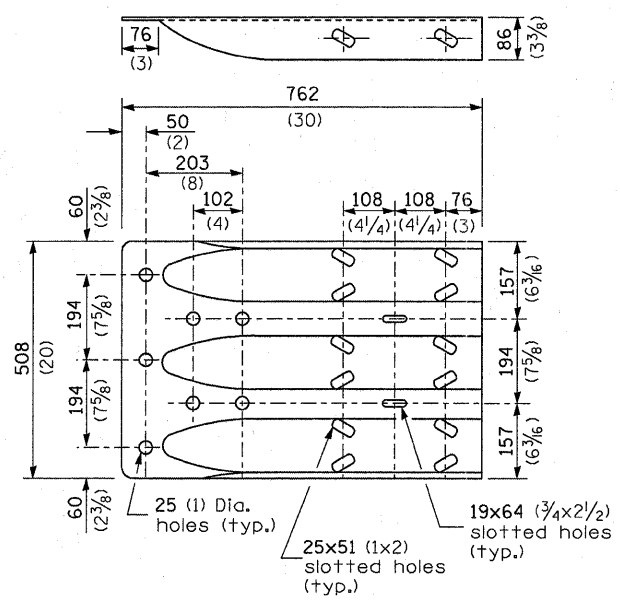
SECTION C-C



POSTS 1-11 WOOD BLOCKOUT DETAIL



POST 12 WOOD BLOCKOUT DETAIL



MODIFIED THRIE BEAM END SHOE DETAIL

FILE NAME =	USER NAME = quigley.m	DESIGNED -	REVISED -	<b>STATE OF ILLINOIS DEPARTMENT OF TRANSPORTATION</b>	<b>PRE-MGS EFFECTIVE 4-1-06 TRAFFIC BARRIER TERMINAL, TYPE 6A STANDARD 631032-02</b>	F.A. RTE.	SECTION	COUNTY	TOTAL SHEETS	SHEET NO.	
c:\pwork\pwork\quigley.m\d0258015\03666B29-shr-DETAILS.dgn		DRAWN -	REVISED -			VAR.	*		VAR.	35	29
PLOT SCALE = 50.0000' / IN.		CHECKED -	REVISED -			Sheet 2 of 3		CONTRACT NO. 66B29			
PLOT DATE = Apr 07, 2011 - 11:35:30 AM		DATE -	REVISED -			SCALE:	SHEET NO. OF SHEETS STA. TO STA.	FED. ROAD DIST. NO.	ILLINOIS FED. AID PROJECT		

• D-3 HIGHWAY DAMAGE REPAIR 2011