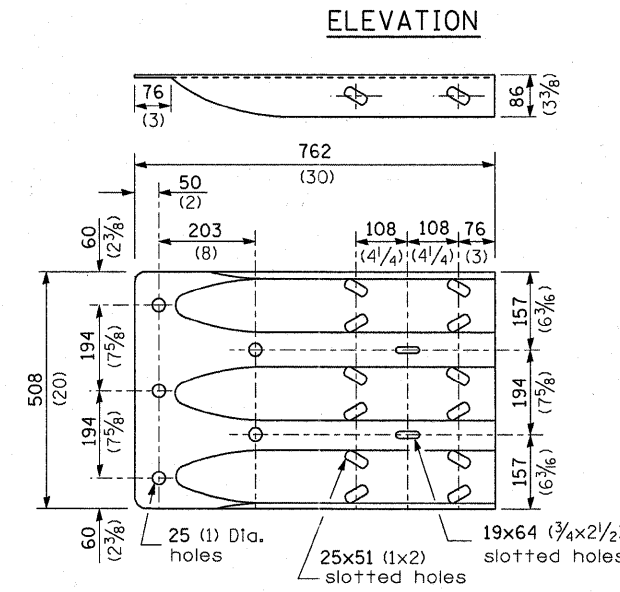
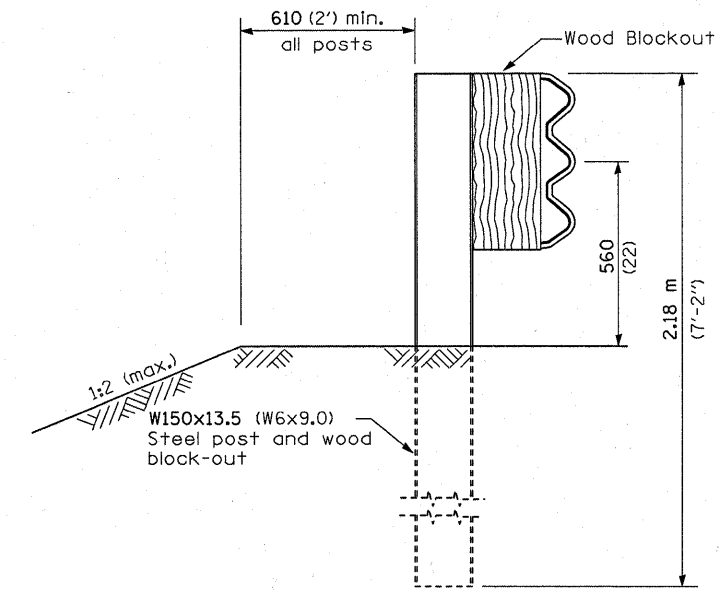
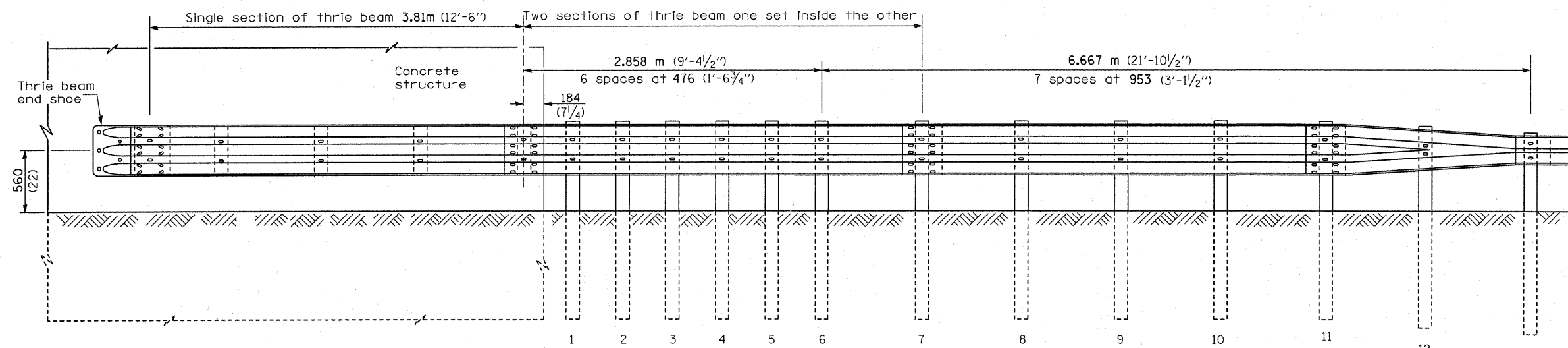


* With standard washers. After tightening, cut the anchor bolts flush with nuts, and damage the nut to prevent it from loosening.

Note: See wood block details A, B, C & D



GENERAL NOTES

See Standard 630001 for details of guardrail not shown.

Thrie beam rail shall be bolted to block-out at all posts.

All slope ratios are expressed as units of vertical displacement to units of horizontal displacement (V:H).

All dimensions are in millimeters (Inches) unless otherwise shown.

FILE NAME =	USER NAME = quigleyml	DESIGNED -	REVISED -	STATE OF ILLINOIS DEPARTMENT OF TRANSPORTATION	PRE-MGS EFFECTIVE 4-1-06 TRAFFIC BARRIER TERMINAL, TYPE 6B STANDARD 631033-01	F.A. RTE.	SECTION	COUNTY	TOTAL SHEETS	SHEET NO.
c:\pwork\pwsdot\quigleyml\d0258015\036829-shit-DETAILS.dgn	DRAWN -	REVISED -	VAR.			*	VAR.	35	31	
PLOT SCALE = 50.0000' / IN.	CHECKED -	REVISED -	CONTRACT NO. 66B29							
PLOT DATE = Apr 07, 2011 - 11:35:05 AM	DATE -	REVISED -	Sheet 1 of 2							
					SCALE:	SHEET NO. OF SHEETS STA. TO STA.		FED. ROAD DIST. NO. ILLINOIS FED. AID PROJECT		

• D-3 HIGHWAY DAMAGE REPAIR 2011