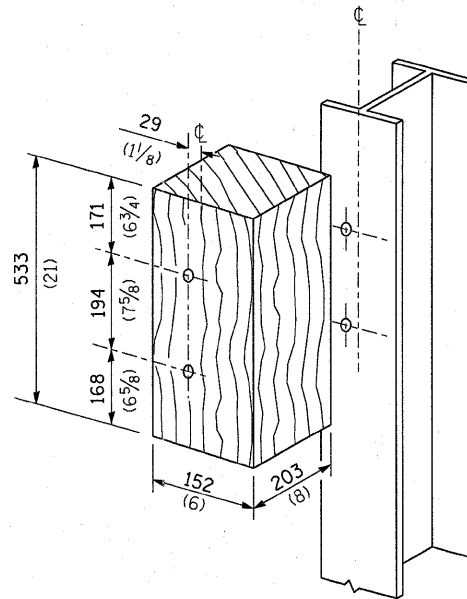
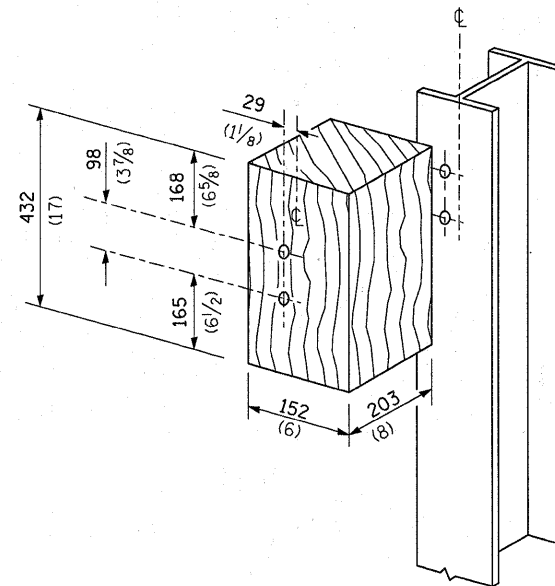


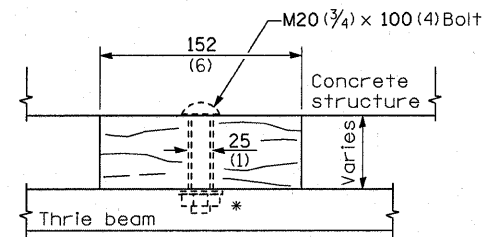
MODIFIED THICKNESS WOOD BLOCKOUT DETAIL



POSTS 1-11 WOOD BLOCKOUT DETAIL

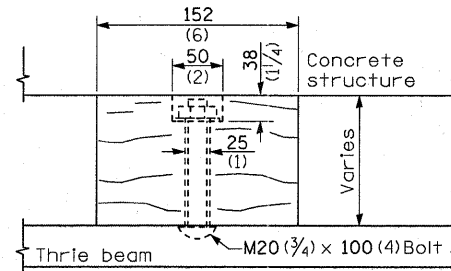


POST 12 WOOD BLOCKOUT DETAIL

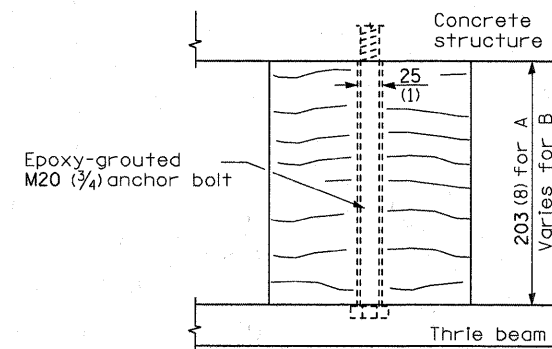


WOOD BLOCKOUT D

Bolt to thrie beam with M20 (3/4) by 100 (4) bolt, washer & nut. Reverse direction of insertion. \*



WOOD BLOCKOUT C



WOOD BLOCKOUT A & B

FILE NAME = USER NAME = quigleyml DESIGNED - DRAWN - PLOT SCALE = 50.0000 ' / IN. PLOT DATE = Apr 07, 2011 - 11:34:56 AM				REVISIONS: REVISED - REVISED - REVISED - REVISED -				<b>STATE OF ILLINOIS</b> <b>DEPARTMENT OF TRANSPORTATION</b>				<b>PRE-MGS EFFECTIVE 4-1-06</b> <b>TRAFFIC BARRIER TERMINAL, TYPE 6B</b> <b>STANDARD 631033-01</b> Sheet 2 of 2				F.A. RTE. VAR.		SECTION VAR.		COUNTY VAR.		TOTAL SHEETS 35		SHEET NO. 32	
SCALE: SHEET NO. OF SHEETS STA. TO STA.										FED. ROAD DIST. NO. ILLINOIS FED. AID PROJECT				CONTRACT NO. 66B29											

• D-3 HIGHWAY DAMAGE REPAIR 2011