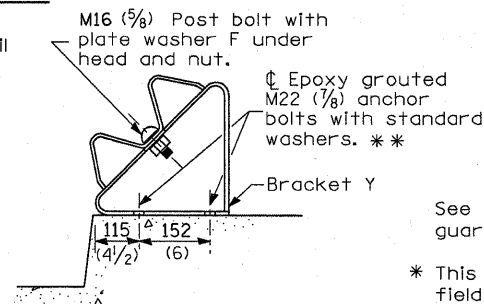
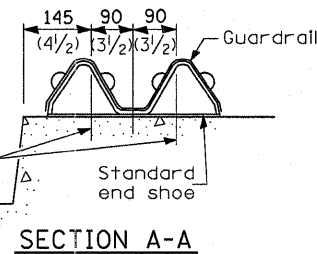


⌀ Epoxy grouted M22 (7/8) anchor bolts with standard washers. **



GENERAL NOTES

- See Standard 630001 for details of guardrail not shown.
 - * This dimension may be increased to fit field conditions. This post shall be located first. The layout of the terminal shall be determined by its location.
 - ** After tightening, cut the anchor bolts flush with nuts, and damage the bolt head to prevent them from loosening.
- All dimensions are in millimeters (Inches) unless otherwise shown.

FILE NAME =	USER NAME = quigley.m	DESIGNED -	REVISED -	STATE OF ILLINOIS DEPARTMENT OF TRANSPORTATION	PRE-MGS EFFECTIVE 4-1-06 TRAFFIC BARRIER TERMINAL TYPE 8 STANDARD 631036-04	F.A. RTE.	SECTION	COUNTY	TOTAL SHEETS	SHEET NO.
cd:\pwr_work\pwr\dot\quigley.m\d0258815\036829-sh1-DETAILS.dgn	DRAWN -	REVISED -	VAR.			.	VAR.	35	33	
PLOT SCALE = 50.0000' / IN.	CHECKED -	REVISED -								
PLOT DATE = Apr 07, 2011 - 11:33:14 AM	DATE -	REVISED -								
					SCALE:	SHEET NO. OF SHEETS STA.		TO STA.		
					FED. ROAD DIST. NO.		ILLINOIS FED. AID PROJECT		CONTRACT NO. 66B29	