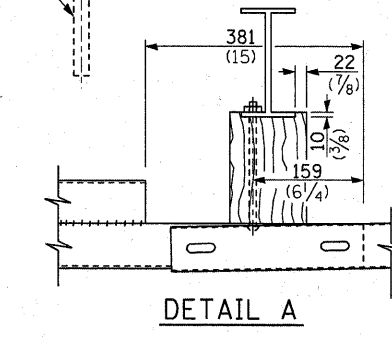
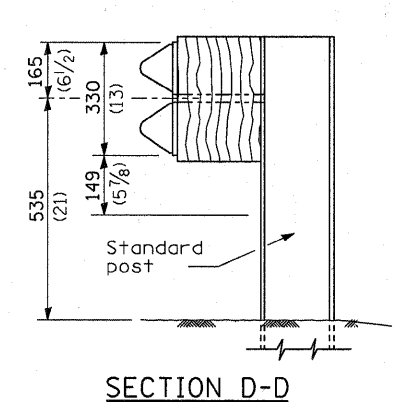
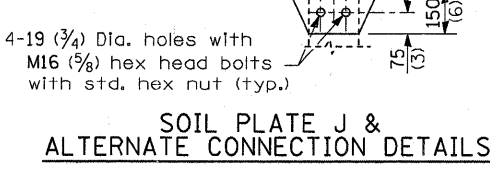


DETAILS of BLOCK-OUTS
 ** \varnothing 19 (3/4) Dia. hole



GENERAL NOTES
 See Standards 509001 and 630001 for details of guardrail elements not shown.
 The type 9 terminal shall be installed after the posts for the bridge retrofit rail have been located as shown on Standard 509001.
 All dimensions are in millimeters (Inches) unless otherwise shown.

FILE NAME =	USER NAME = quigleyml	DESIGNED -	REVISED -	STATE OF ILLINOIS DEPARTMENT OF TRANSPORTATION	PRE-MGS EFFECTIVE 4-1-06 TRAFFIC BARRIER TERMINAL TYPE 9 STANDARD 631041-01	F.A. RTE.	SECTION	COUNTY	TOTAL SHEETS	SHEET NO.
c:\pwwork\pwwork\quigleyml\d0258815\036829-shit-DETAILS.dgn	DRAWN -	REVISED -	VAR.			*	VAR.	35	34	
PLOT SCALE = 50.0000 "/ IN.	CHECKED -	REVISED -	CONTRACT NO. 66B29							
PLOT DATE = Apr 07, 2011 - 11:32:59 AM	DATE -	REVISED -	SCALE:			SHEET NO. OF SHEETS STA. TO STA.	FED. ROAD DIST. NO. ILLINOIS FED. AID PROJECT			

• D-3 HIGHWAY DAMAGE REPAIR 2011