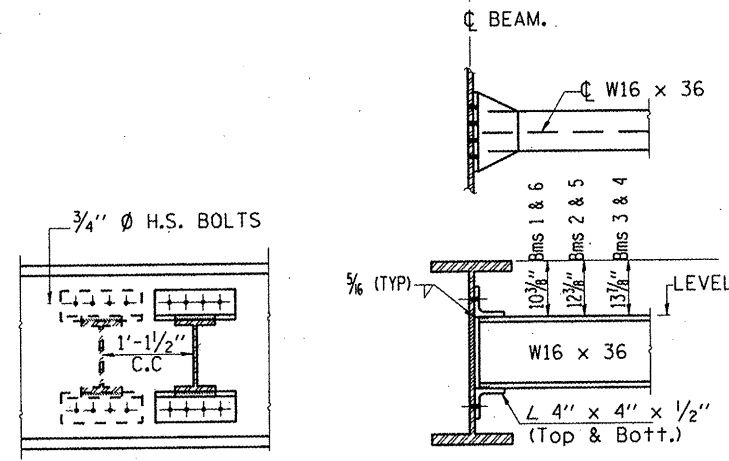
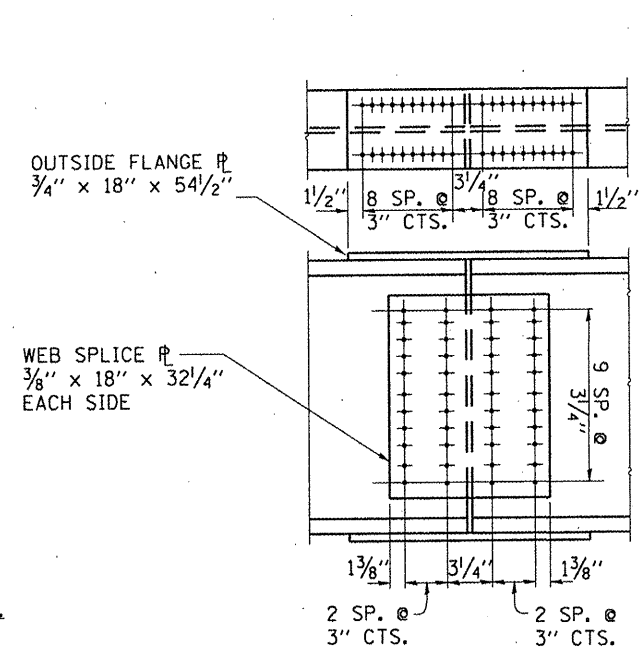


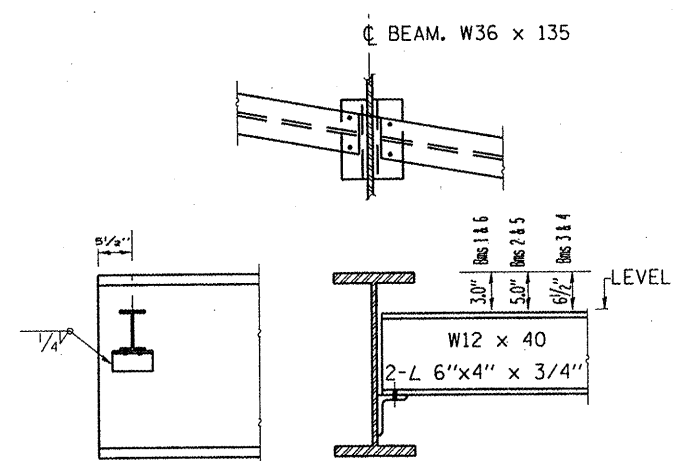
DIAPHRAGM D1
20 REQUIRED



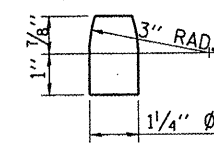
DIAPHRAGM D2
10 REQUIRED



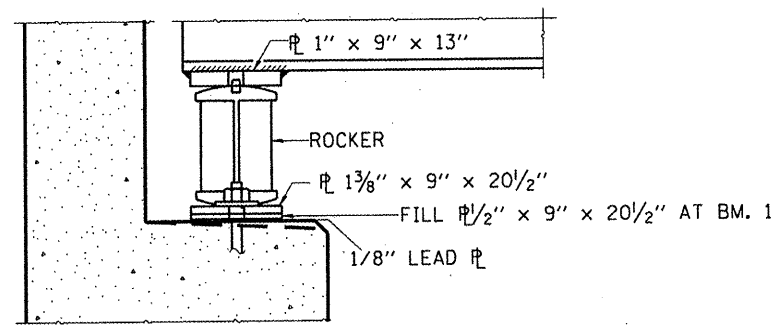
SPLICE DETAIL



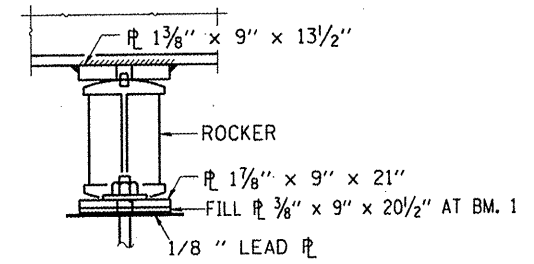
DIAPHRAGM D
10 REQUIRED



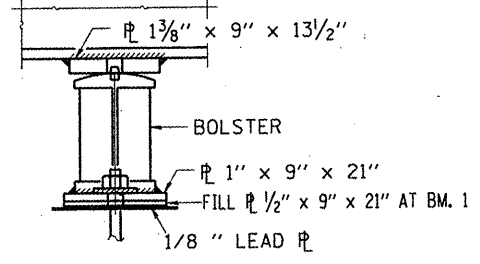
DETAIL OF PINTLE



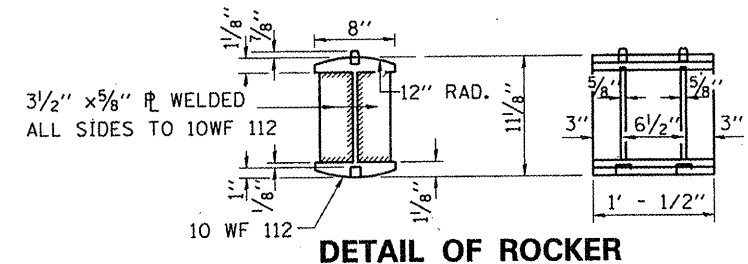
SECTION AT ABUTMENTS



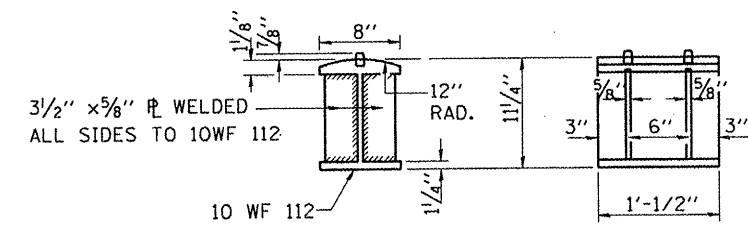
ELEVATION



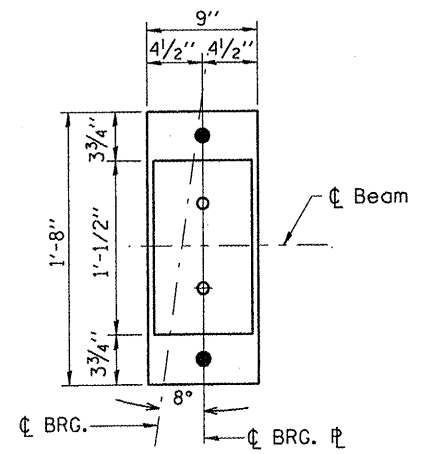
ELEVATION



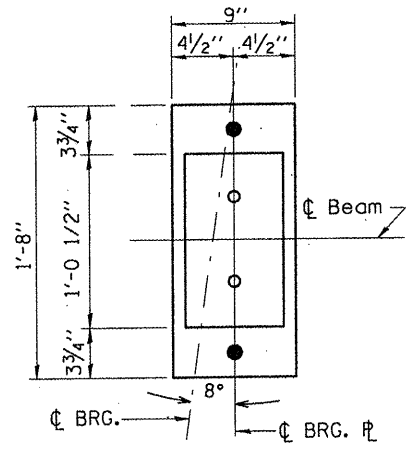
DETAIL OF ROCKER



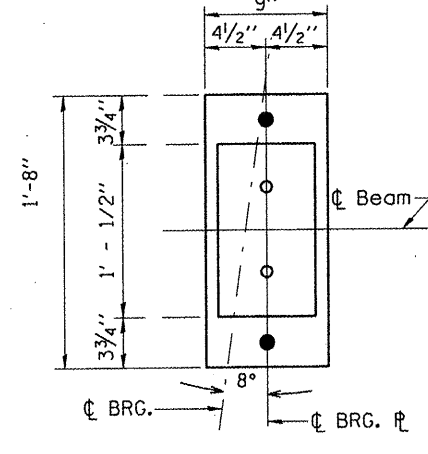
BOLSTER



PLAN



PLAN AT PIER 2



PLAN AT PIER 2

FOR INFORMATION ONLY

STRUCTURAL STEEL DETAILS
FAP ROUTE 68
(IL 23)
SECTION (3BR)BP
LASALLE COUNTY
S.N. 050-0159

FILE NAME =	USER NAME = potelyj	DESIGNED - YOGESH PATEL	REVISED -	STATE OF ILLINOIS DEPARTMENT OF TRANSPORTATION	EXISTING STRUCTURE PLANS	F.A.P. RTE. 68	SECTION (3BR)BP	COUNTY LASALLE	TOTAL SHEETS 9	SHEET NO. 9	
ct:\pw\work\p\p\potelyj\0257969\0368838-shr-cover.dgn	PLOT SCALE = 1/8" = 1'-0"	DRAWN - YOGESH PATEL	REVISED -			SCALE: _____	SHEET NO. 1 OF 1 SHEETS	STA. _____	TO STA. _____	ILLINOIS CONTRACT NO. 66B30	
	PLOT DATE = Mar 15, 2011 - 08:43:24 AM	CHECKED - RON WOODSHANK	REVISED -								
		DATE _____	REVISED -								