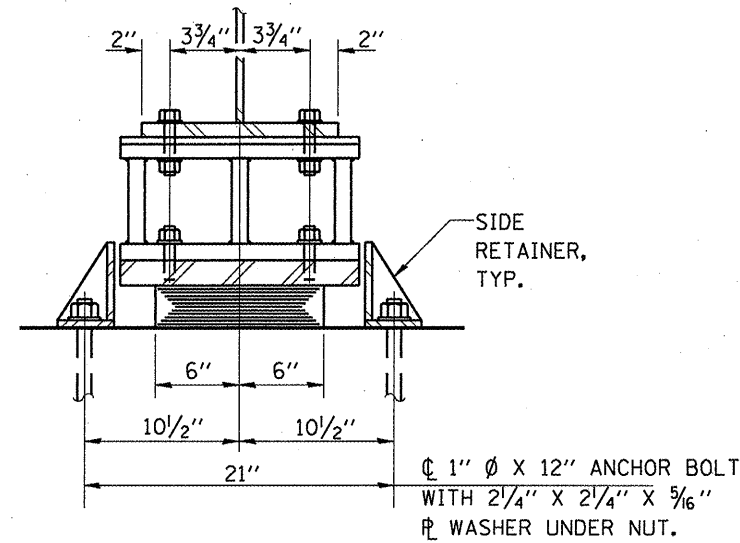
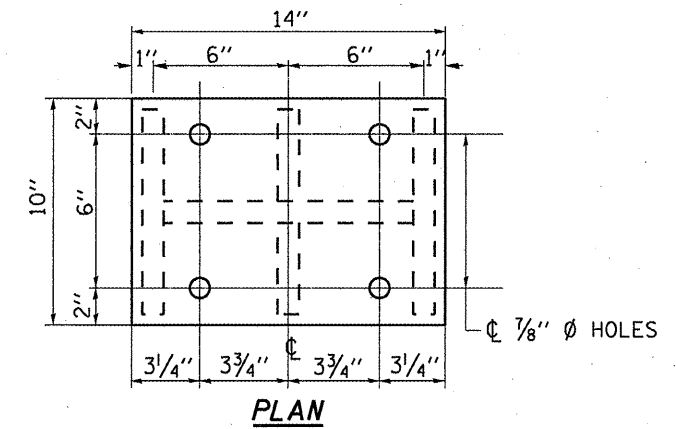


END ELEVATION AT ABUT.

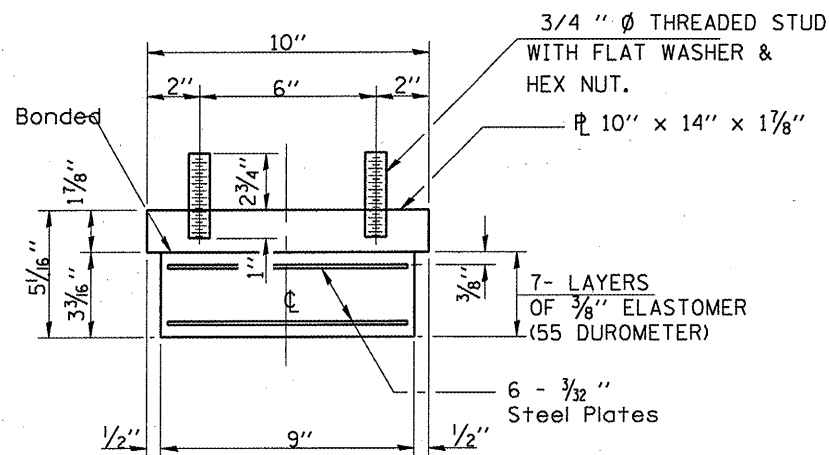


SIDE ELEVATION AT ABUT.

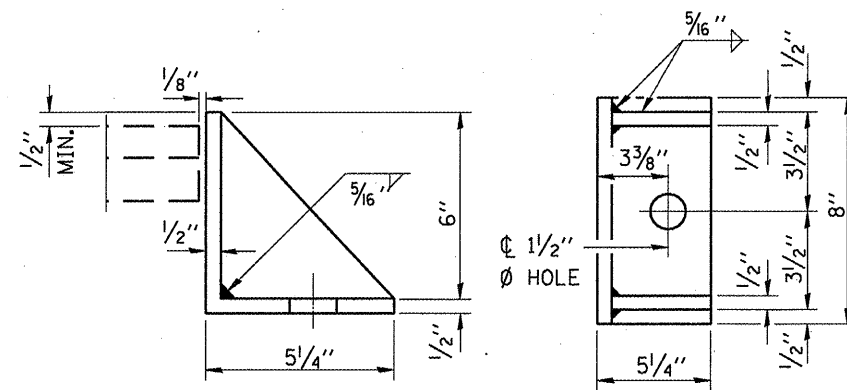


PLAN

TYPE I ELASTOMERIC EXP. BEARING

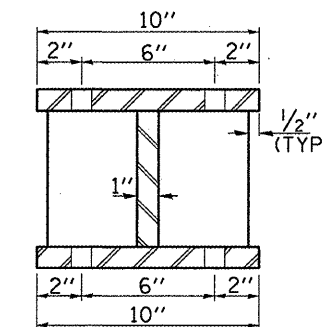


BEARING ASSEMBLY

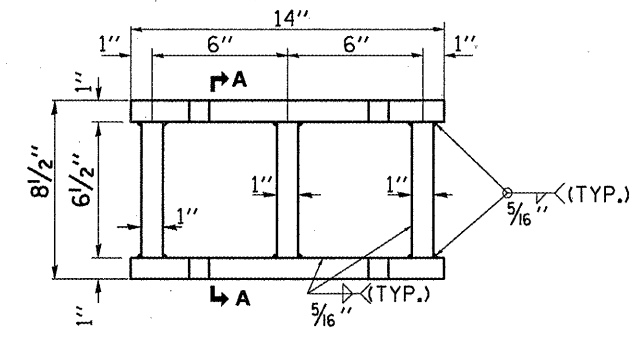


SIDE RETAINER

EQUIVALENT ROLLED ANGLE WITH STIFFENERS WILL BE ALLOWED IN LIEU OF WELDED PLATES.

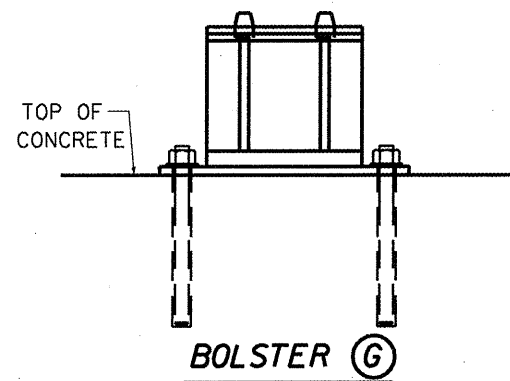


SECTION A-A



ELEVATION

STEEL PEDESTAL



FOR INFORMATION ONLY

STRUCTURAL STEEL DETAILS
FAP ROUTE 846
(IL 53)
SECTION (6B-1)BP
GRUNDY COUNTY
S.N. 032-0023

FILE NAME =	USER NAME = potalij	DESIGNED - YOGESH PATEL	REVISED -	STATE OF ILLINOIS DEPARTMENT OF TRANSPORTATION	EXISTING STRUCTURE PLANS	F.A.P. RTE. 846	SECTION (6B-1)BP	COUNTY GRUNDY	TOTAL SHEETS 11	SHEET NO. 9		
CONTRACT NO. 66B31		DRAWN - YOGESH PATEL	REVISED -			SCALE: _____	SHEET NO. 2 OF 2 SHEETS	STA. _____ TO STA. _____	ILLINOIS			
		CHECKED - RON WOODSHANK	REVISED -									
		DATE -	REVISED -									