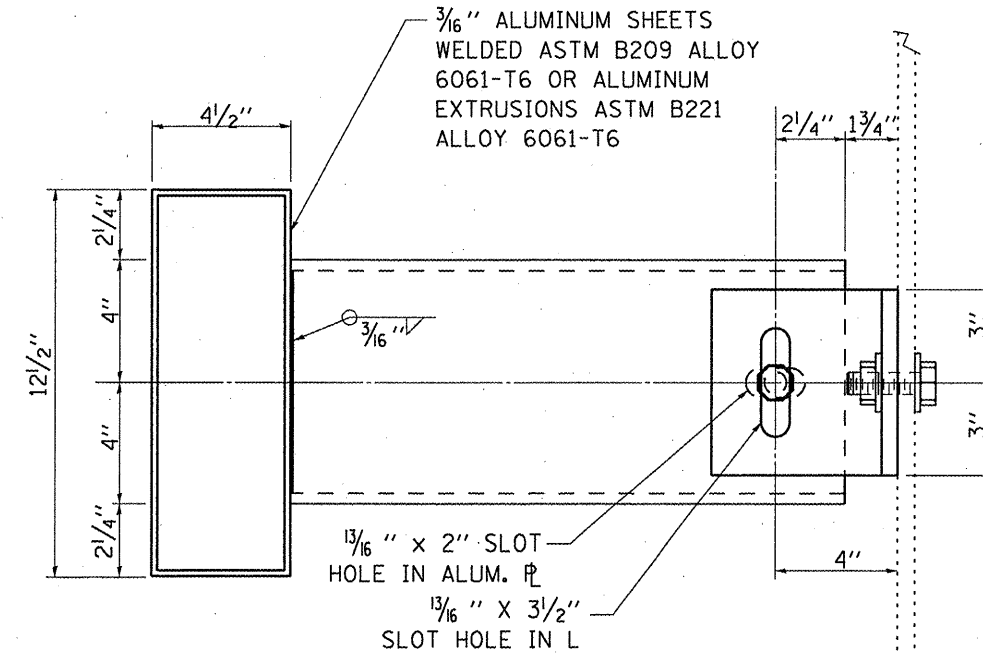
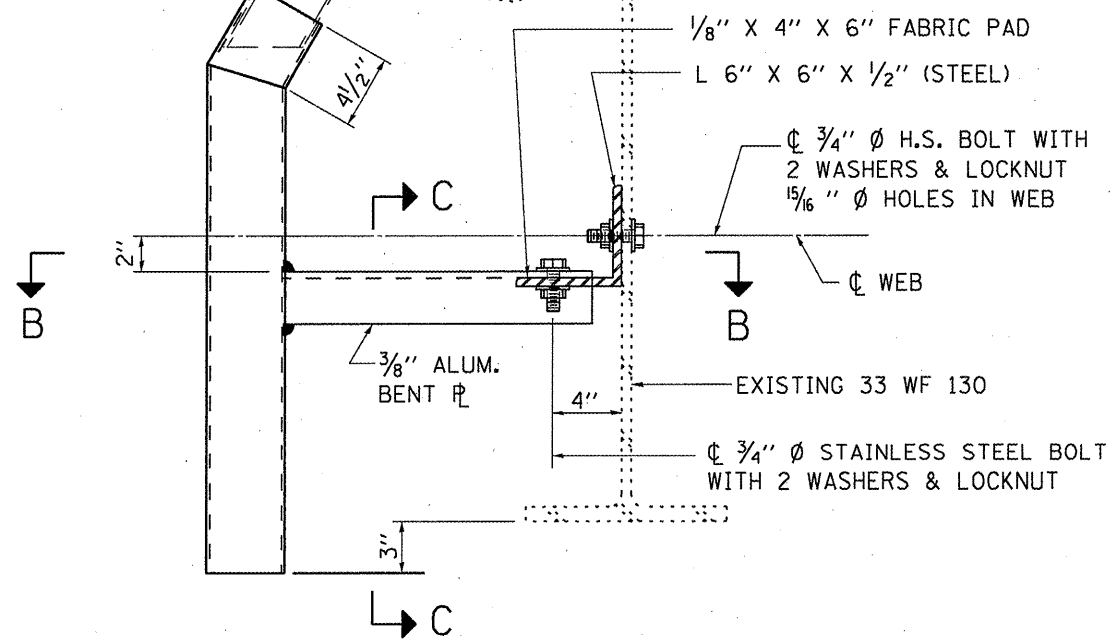


SECTION C-C



SECTION B-B



SECTION AT DRAIN

DRAIN

FOR INFORMATION ONLY

**DRAIN DETAILS
FAP ROUTE 846
(IL 53)
SECTION (6B-1)BP
GRUNDY COUNTY
S.N. 032-0023**

FILE NAME =	USER NAME = pateluj	DESIGNED - YOGESH PATEL	REVISED -	STATE OF ILLINOIS DEPARTMENT OF TRANSPORTATION	EXISTING STRUCTURE PLANS	F.A.P. RTE.	SECTION	COUNTY	TOTAL SHEETS	SHEET NO.	
ci:\pwork\p\ridot\pateluj\d0257915\0366631-shr-cover.dgn		DRAWN - YOGESH PATEL	REVISED -			846	(6B-1)BP	GRUNDY	11	10	
PLOT SCALE = 100.0119' / IN.		CHECKED - RON WOODSHANK	REVISED -			CONTRACT NO. 66B31					
PLOT DATE = Apr 07, 2011 - 09:59:18 AM		DATE -	REVISED -			ILLINOIS					
				SCALE: _____ SHEET NO. 2 OF 2 SHEETS STA. _____ TO STA. _____							