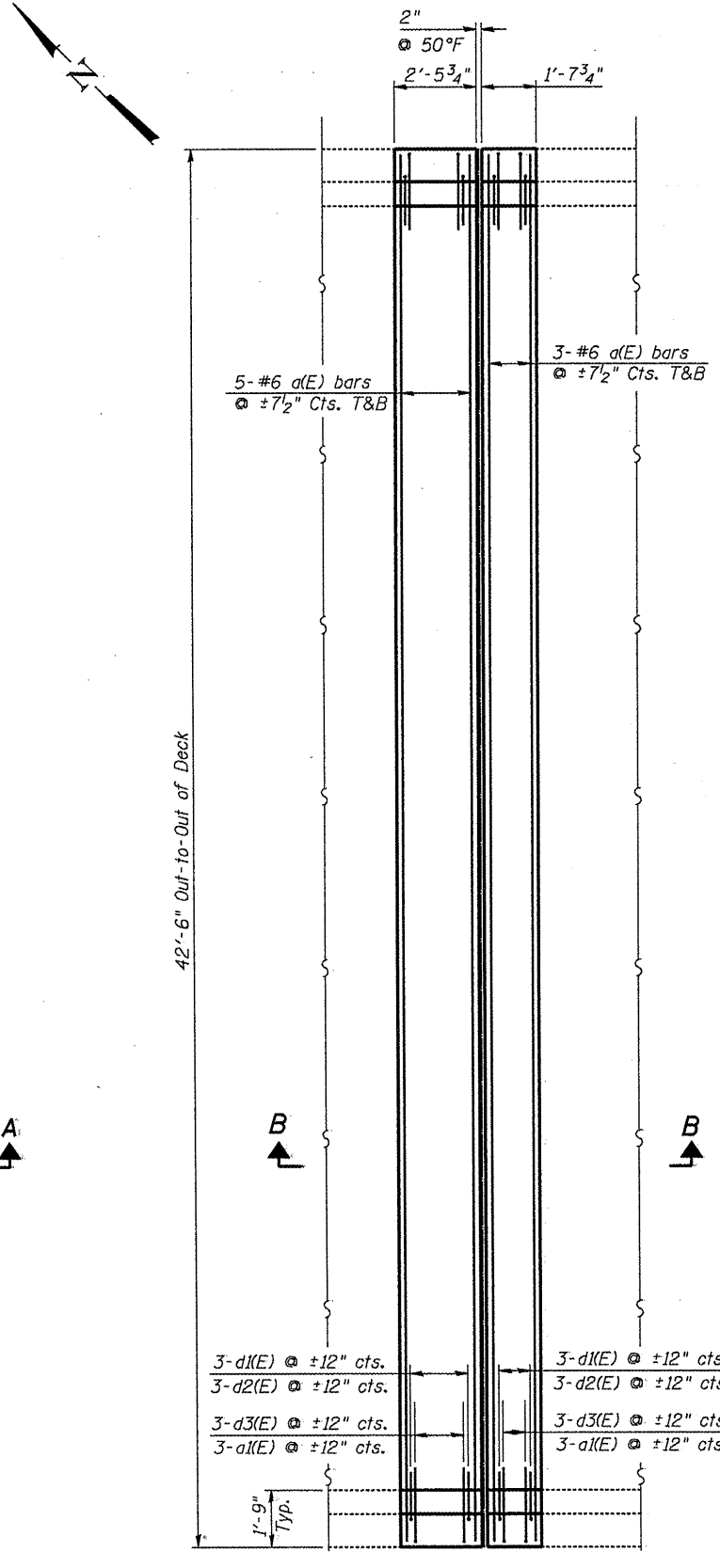
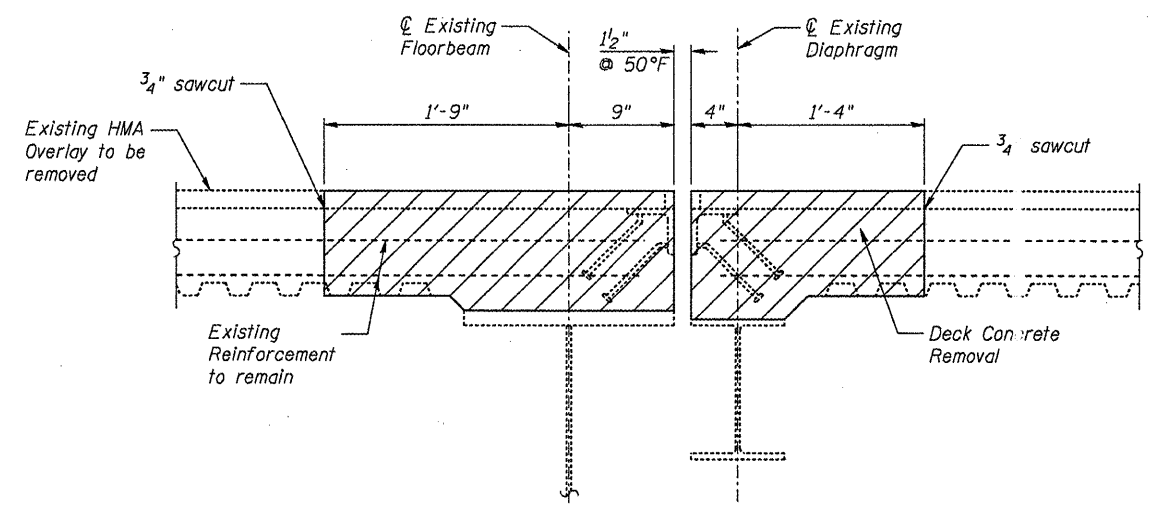


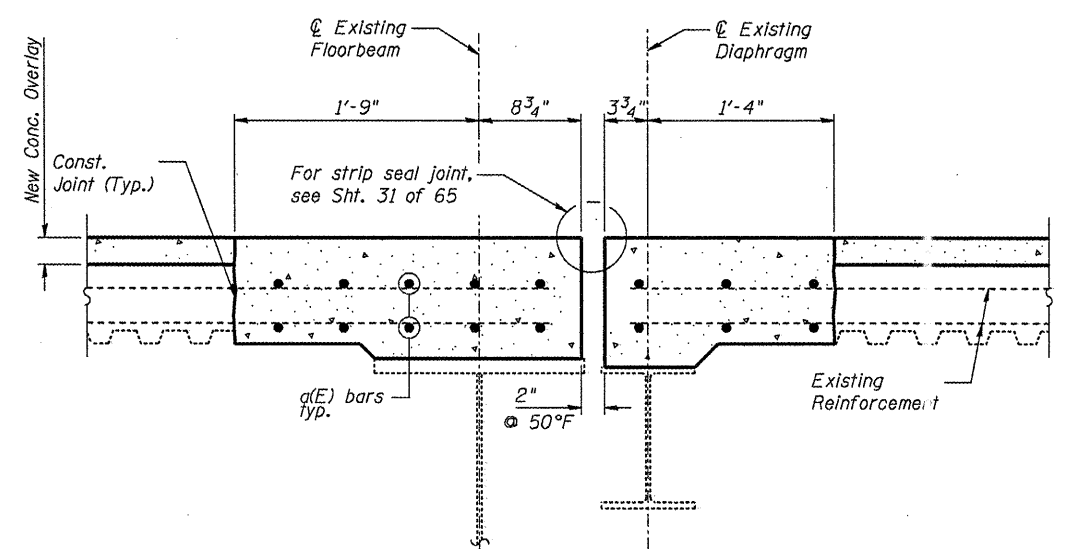
**REMOVAL PLAN @ FB4, FB8, FB12'**  
(FB12, FB19, FB4', FB8' Similar)



**REPAIR PLAN @ FB4, FB8, FB12'**  
(FB12, FB19, FB4', FB8' Similar)



**SECTION A-A**



**SECTION B-B**

**BILL OF MATERIAL**  
(for one joint)

Bar	No.	Size	Length	Shape
a(E)	16	#6	41'-0"	—
a1(E)	12	#6	4'-0"	—
d1(E)	12	#5	5'-2"	J
d2(E)	12	#5	3'-7"	J
d3(E)	12	#5	2'-1"	J
Concrete Removal			Cu. Yd.	5.3
Concrete Superstructure			Cu. Yd.	5.1
Reinforcement Bars, Epoxy Coated			Pound	1,200

**Notes:**  
Existing Reinforcement Bars shown in removal area shall be cleaned and incorporated into new construction. Cost included with CONCRETE REMOVAL.  
Hatched areas indicate concrete sections to be removed and replaced. Perimeters of concrete removal areas shall be saw cut 3/4" prior to removal.  
For cross section of parapet reconstruction, see Sht. 48 of 65.

FILE NAME =	USER NAME =	DESIGNED - BTO	REVISED -
		CHECKED - JAN	REVISED -
		DRAWN - RAB	REVISED -
		CHECKED - BTO	REVISED -

**STATE OF ILLINOIS**  
**DEPARTMENT OF TRANSPORTATION**

**RELIEF JOINT REPLACEMENT SPAN 9, 10, & 11**  
**STRUCTURE NO. 090-0108 & 090-0109**  
SHEET NO. 29 OF 65 SHEETS

F.A.I. RTE.	SECTION	COUNT	TOTAL SHEETS	SHEET NO.
474		PEORIA & TAYLOR	129	63
			CONTRACT NO. 68069	
ILLINOIS FED. AID PROJECT				