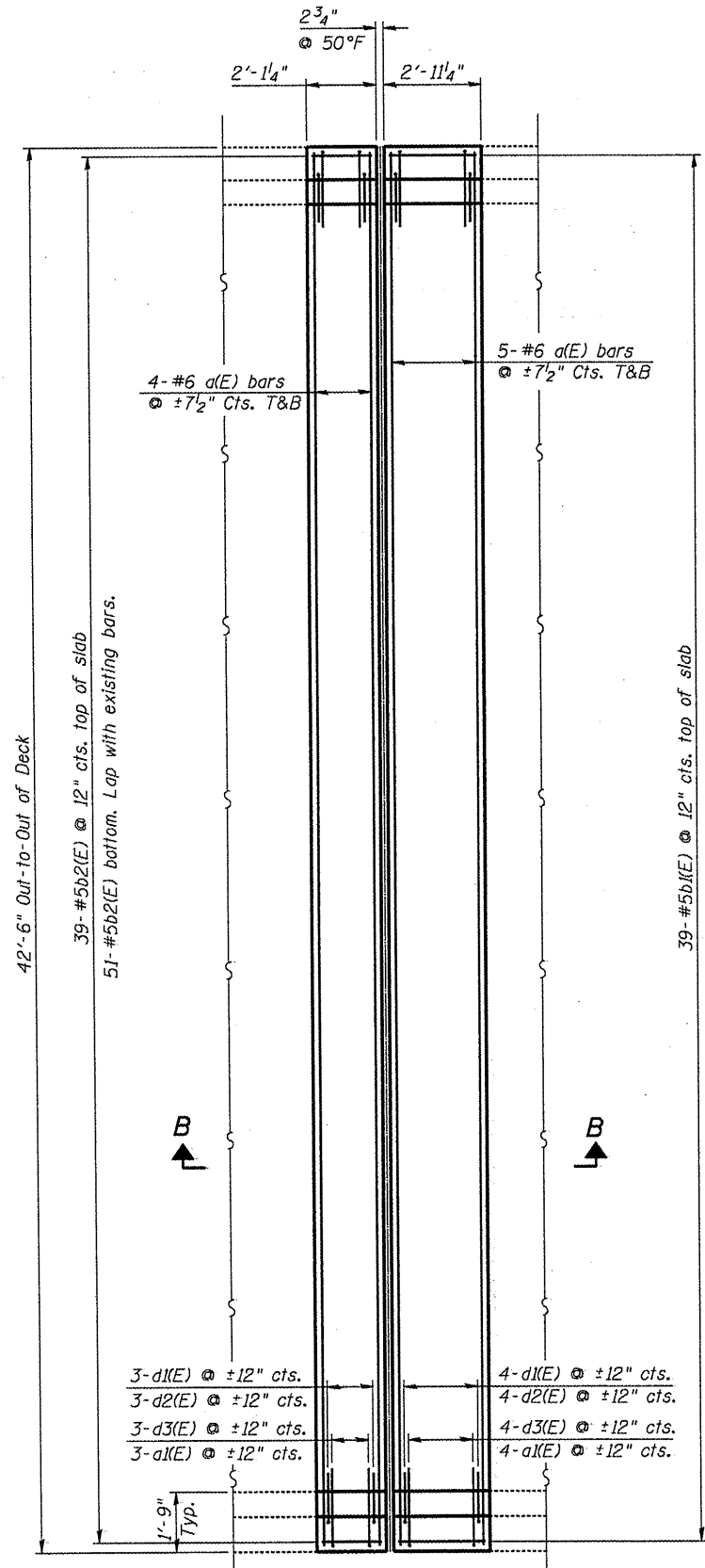
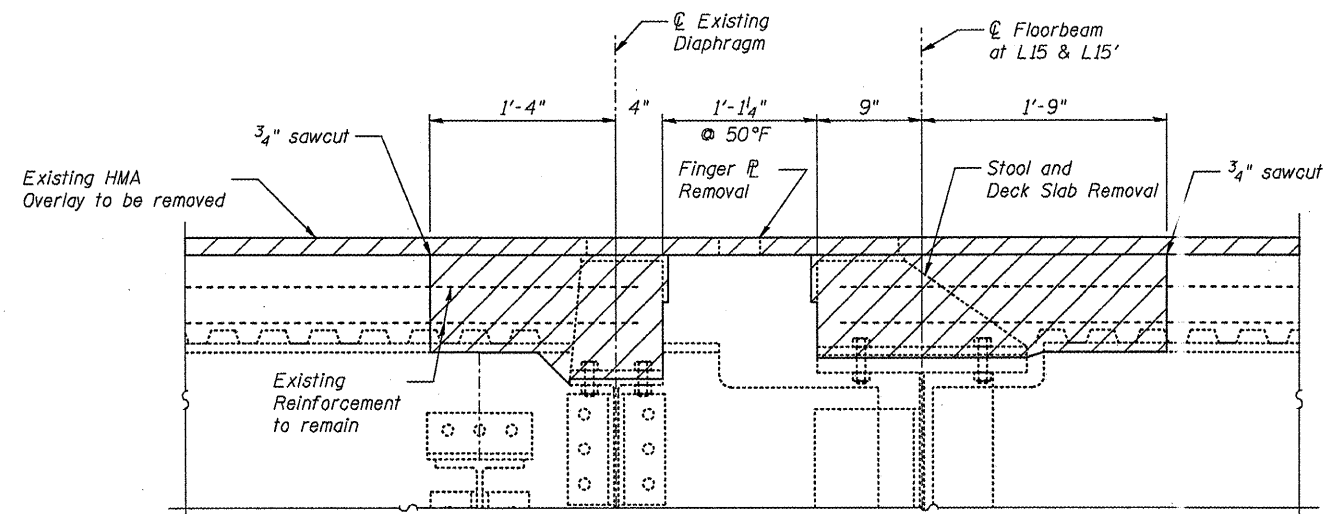


REMOVAL PLAN • FB15
(FB15' Similar)

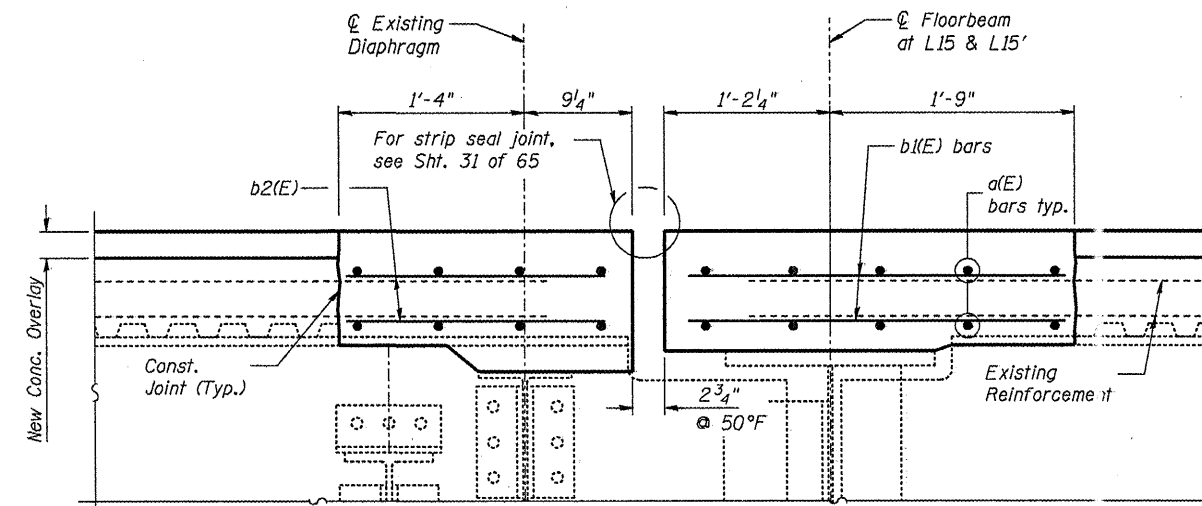


REPAIR PLAN • FB15
(FB15' Similar)



Note: Removal & disposal of existing finger plate and stools is included in the cost of CONCRETE REMOVAL

SECTION A-A



SECTION B-B

BILL OF MATERIAL
(for one joint)

Bar	No.	Size	Length	Shape	
a(E)	18	#6	41'-0"	—	
a1(E)	14	#6	4'-0"	—	
b1(E)	90	#5	2'-8"	—	
b2(E)	90	#5	1'-10"	—	
d1(E)	14	#5	5'-2"	—	
d2(E)	14	#5	3'-7"	—	
d3(E)	14	#5	2'-1"	—	
Concrete Removal				Cu. Yd.	5.6
Concrete Superstructure				Cu. Yd.	7.0
Reinforcement Bars, Epoxy Coated				Pound	1,760

Notes:
Existing Reinforcement Bars shown in removal area shall be cleaned and incorporated into new construction. Cost included with CONCRETE REMOVAL.
Hatched areas indicate concrete sections to be removed and replaced. Perimeters of concrete removal areas shall be saw cut 3/4" prior to removal.
For cross section of parapet reconstruction, see sht. 48 of 65.

FILE NAME =	USER NAME =	DESIGNED - BTO	REVISED -
		CHECKED - JAN	REVISED -
		DRAWN - RAB	REVISED -
		CHECKED - BTO	REVISED -

STATE OF ILLINOIS
DEPARTMENT OF TRANSPORTATION

FINGER JOINT REPLACEMENT, SPAN: 10; FB15 & FB15'
STRUCTURE NO. 090-0108 & 090-0109

SHEET NO. 30 OF 65 SHEETS

F.A.I. RTE.	SECTION	COUNT	TOTAL SHEETS	SHEET NO.
474			129	64
			PEORIA & TAZEWELL	
			CONTRACT NO. 68069	
ILLINOIS FED. AID PROJECT				