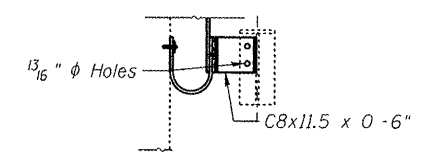
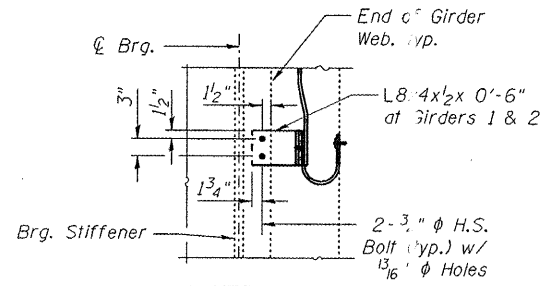


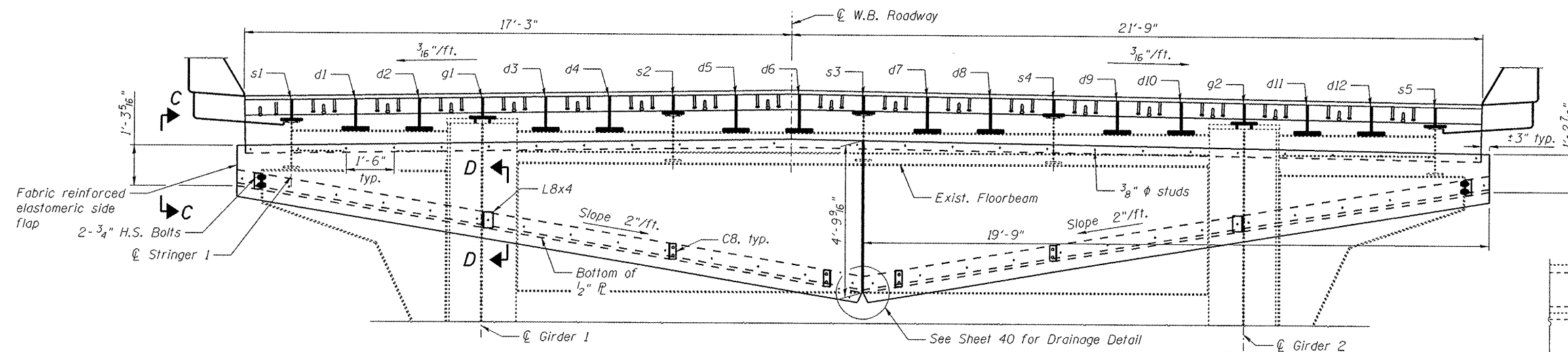
SECTION B-B
(Looking West)



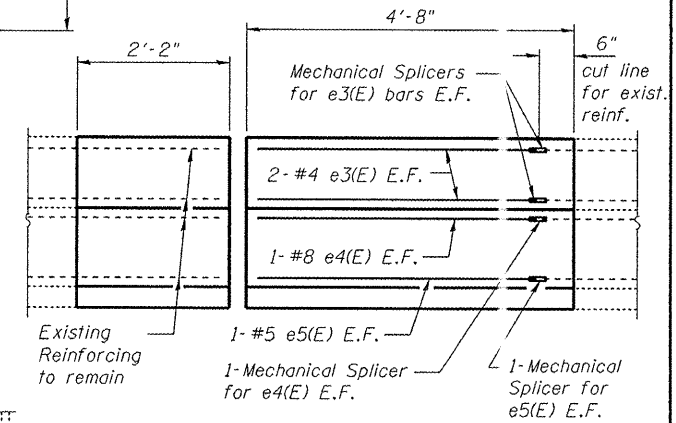
VIEW C-C
Similar view of North end.



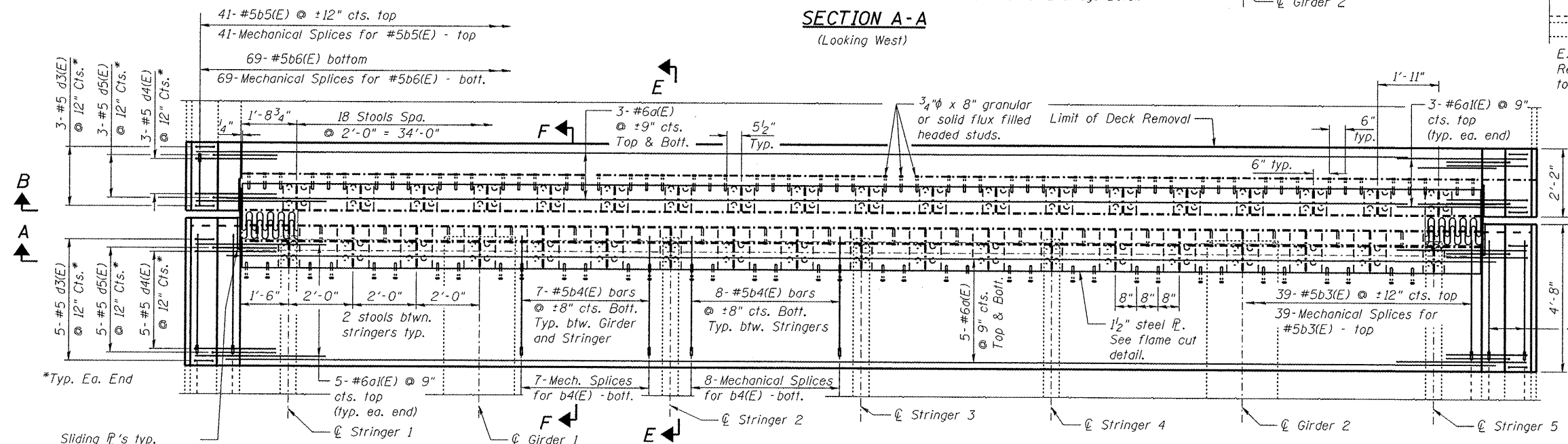
SECTION D-D



SECTION A-A
(Looking West)



INSIDE ELEVATION OF PARAPET



WEST ABUTMENT FINGER PLATE EXPANSION JOINT PLAN

Sliding P's typ.
See Preformed Joint
Strip Seal for details.
See Sheet 31 of 65.

FILE NAME *	USER NAME *	DESIGNED - BTO	REVISED -	STATE OF ILLINOIS DEPARTMENT OF TRANSPORTATION	WEST ABUTMENT FINGER PLATE EXPANSION JOINT, WB STRUCTURE NO. 090-0109	F.A.I. RTE.	SECTION	COUNT	TOTAL SHEETS	
PLOT SCALE *	DRAWN - BTO	CHECKED - JAN	REVISED -			474		PEORIA & TA EWELL	29	66
PLOT DATE *	CHECKED - JAN	DRAWN - BTO	REVISED -							
										CONTRACT NO. 68069
						SHEET NO. 32 OF 65 SHEETS		ILLINOIS FED. AID PROJ. CT		