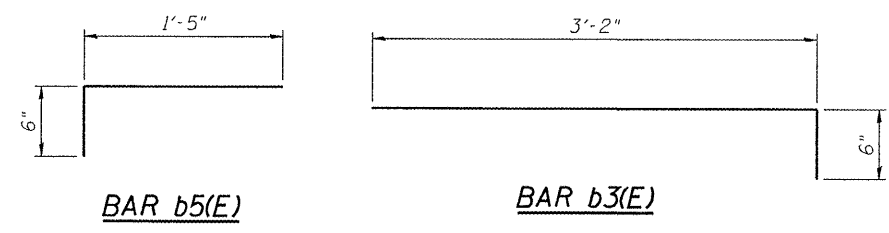


**REMOVAL SECTION**

Cost of removal and disposal of existing Finger Plate Expansion Joint is included in the cost of CONCRETE REMOVAL.

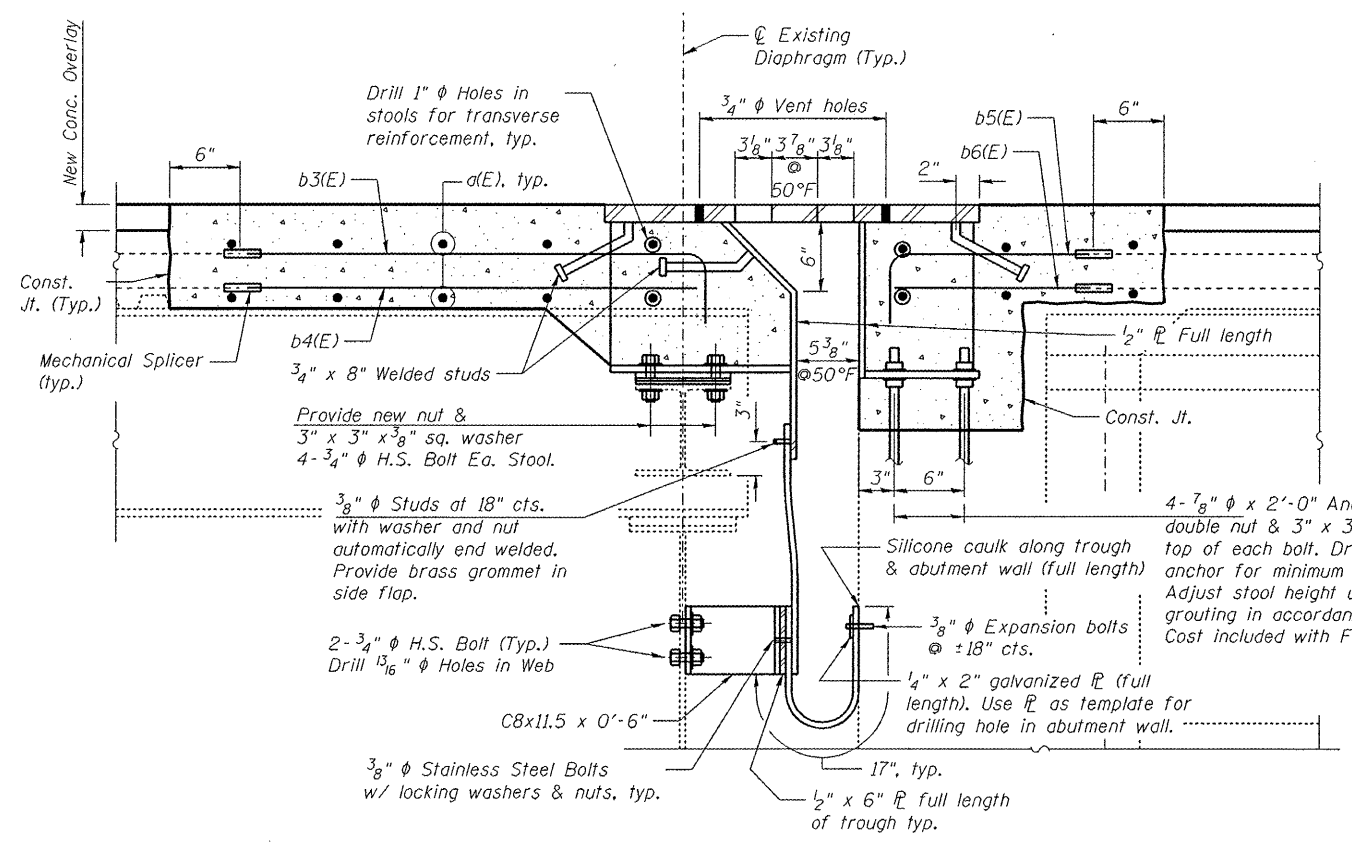


Notes:  
See Sht. 39 of 65 for parapet cross section and parapet bar details.

Existing Reinforcement Bars to remain in removal area shall be cleaned and incorporated into new construction.  
Cost included with CONCRETE REMOVAL.

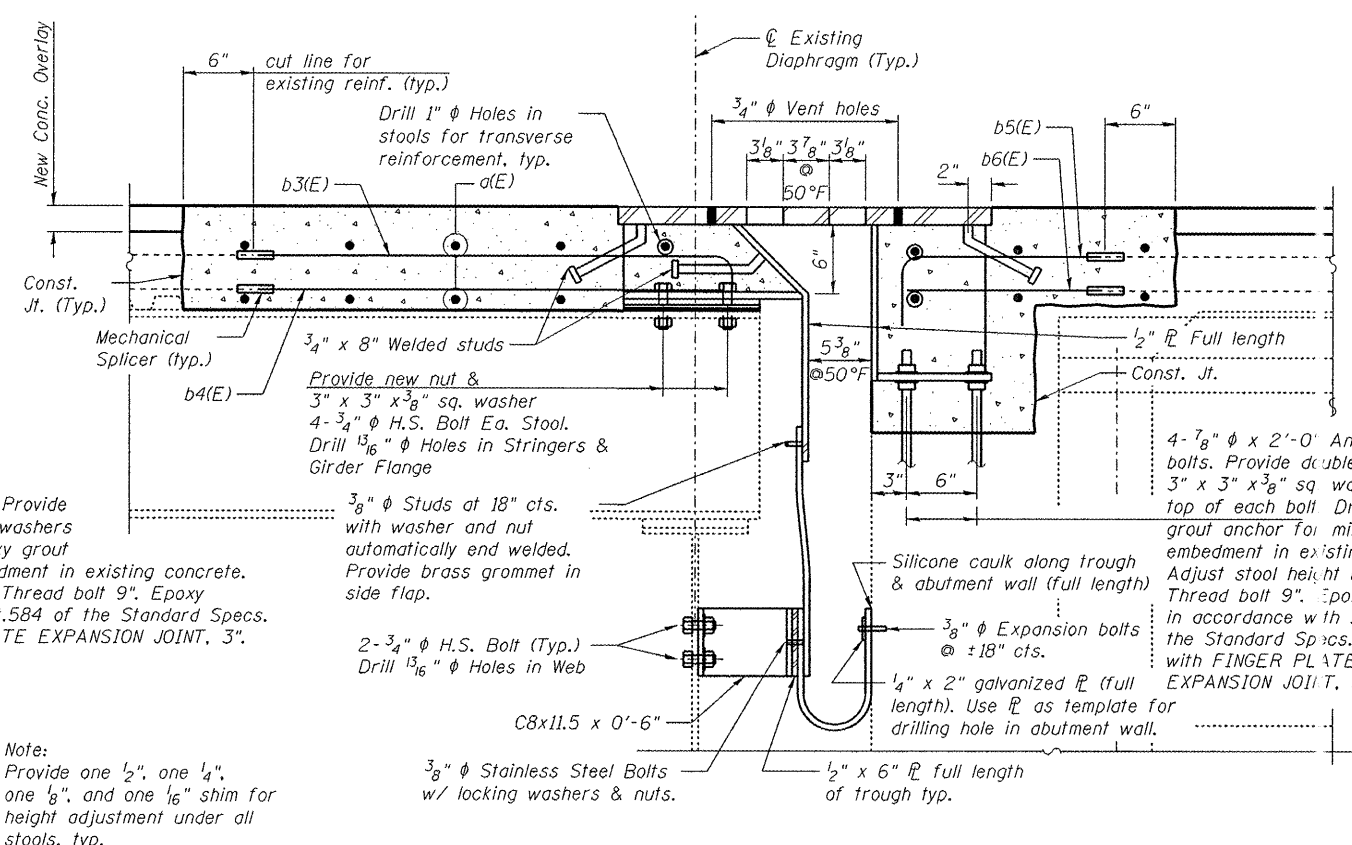
**BILL OF MATERIAL**

Bar	No.	Size	Length	Shape
a(E)	16	#6	41'-0"	—
a(E)	16	#6	4'-0"	—
b3(E)	39	#5	3'-8"	—
b4(E)	64	#5	3'-2"	—
b5(E)	41	#5	1'-11"	—
b6(E)	69	#5	1'-5"	—
d3(E)	16	#5	2'-1"	—
d4(E)	16	#5	5'-2"	—
d5(E)	16	#5	3'-7"	—
e3(E)	8	#4	3'-11"	—
e4(E)	4	#8	3'-11"	—
e5(E)	4	#5	3'-11"	—
Concrete Removal		Cu. Yd.	3.4	
Concrete Superstructure		Cu. Yd.	0.7	
Reinforcement Bars, Epoxy Coated		Pound	1890	
Mechanical Splicers		Each	21	
Finger Plate Expansion Joint, 3"		Foot	9.0	
Fabric Reinforced Elastomeric Trough		Foot	9.5	



**SECTION F-F**

Note:  
Provide one 1/2", one 1/4", one 1/8", and one 1/16" shim for height adjustment under all stools, typ.



**SECTION E-E**