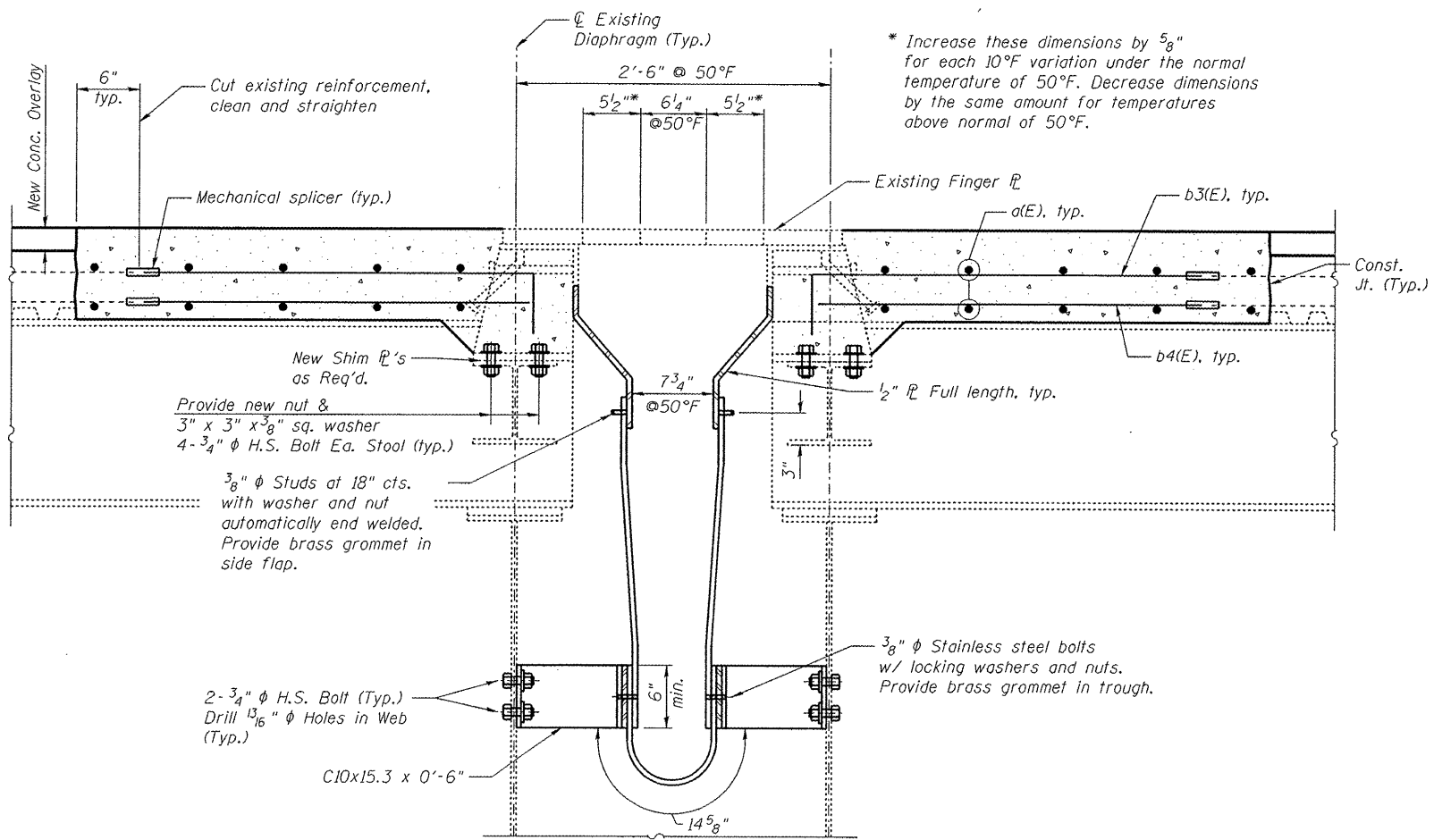
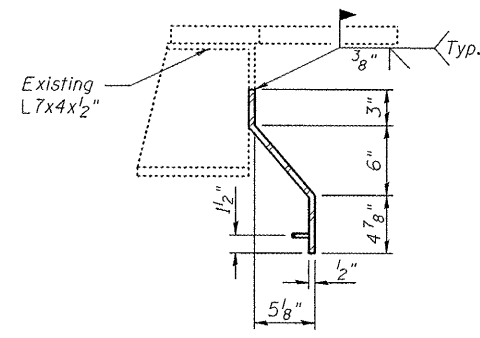


**REMOVAL SECTION**



**SECTION A-A**



**TROUGH & DETAIL**

FILE NAME :	USER NAME :	DESIGNED - BTO	REVISED -
		CHECKED - JAN	REVISED -
PLOT SCALE :		DRAWN - BTO	REVISED -
PLOT DATE :		CHECKED - JAN	REVISED -

**STATE OF ILLINOIS  
DEPARTMENT OF TRANSPORTATION**

**PIER 4 FINGER PLATE TROUGH DETAILS  
STRUCTURE NO. 090-0108 & 090-0109**

F.A.I. RTE. NO. 474	SECTION	COUNT	TOTAL SHEET NO. 29
		PEORIA & TAYLOR	29
		CONTRACT NO. 68069	