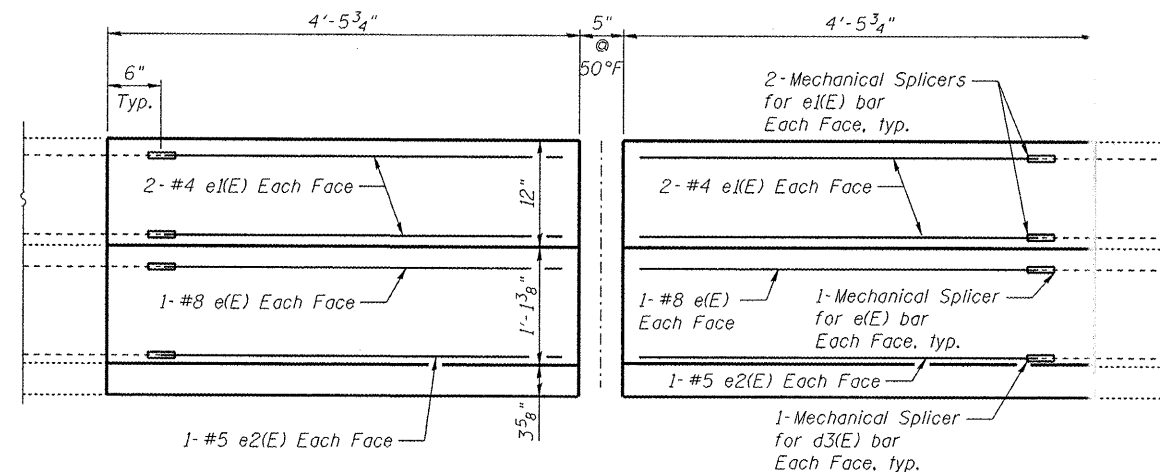
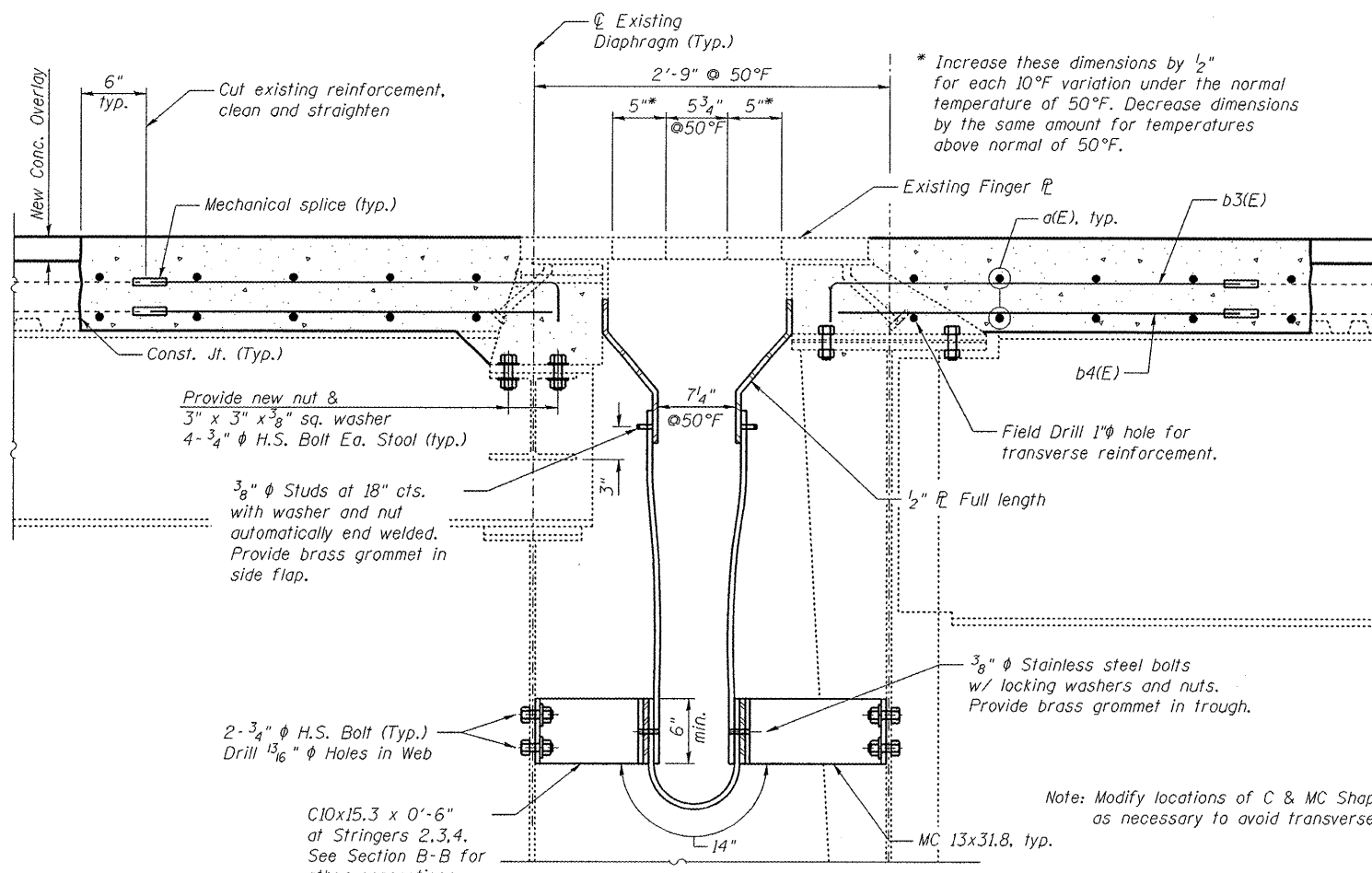


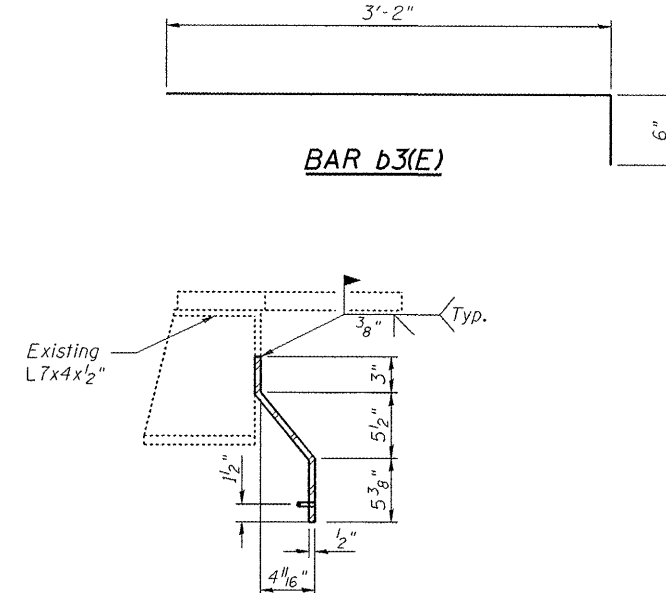
REMOVAL SECTION



INSIDE ELEVATION OF PARAPET



SECTION A-A



BAR b3(E)

TROUGH PLATE DETAIL

BILL OF MATERIAL
(for one joint)

Bar	No.	Size	Length	Shape
a(E)	20	#6	41'-0"	—
a1(E)	20	#6	4'-0"	—
b3(E)	78	#5	3'-8"	—
b4(E)	121	#5	3'-2"	—
d1(E)	10	#5	5'-2"	—
d2(E)	10	#5	3'-7"	—
d3(E)	20	#5	2'-1"	—
d4(E)	10	#5	5'-2"	—
d5(E)	10	#5	3'-7"	—
e(E)	8	#8	3'-9"	—
e1(E)	16	#4	3'-9"	—
e2(E)	8	#5	3'-9"	—
Concrete Removal		Cu. Yd.	10.1	
Concrete Superstructure		Cu. Yd.	11.6	
Reinforcement Bars, Epoxy Coated		Pound	2,560	
Mechanical Splicers		Each	199	
Remove and Reinstall Finger Plate Joint		Each	1	
Fabric Reinforced Elastomeric Trough**		Foot	39.5	

**All structural steel for connection, trough plates & shims, sliding plates, welding and studs and all high strength bolts shall be covered in this cost, which shall include all materials, equipment, labor, and installation.

Note: See Shts. 39 and 48 for Parapet Reconstruction Details & Bars.

FILE NAME *	USER NAME *	DESIGNED - BTO	REVISED -
		CHECKED - JAN	REVISED -
PLOT SCALE *		DRAWN - BTO	REVISED -
PLOT DATE *		CHECKED - JAN	REVISED -

STATE OF ILLINOIS
DEPARTMENT OF TRANSPORTATION

PIER 8 & 11 FINGER PLATE TROUGH DETAILS
STRUCTURE NO. 090-0108 & 090-0109

SHEET NO. 42 OF 65 SHEETS

F.A.I. RTE. NO. 474	SECTION	COUNTY	TOTAL SHEETS	SHEET NO.
		PEORIA & TAZEWELL	129	46
CONTRACT NO. 68069			ILLINOIS FED. AID PROJ. T	