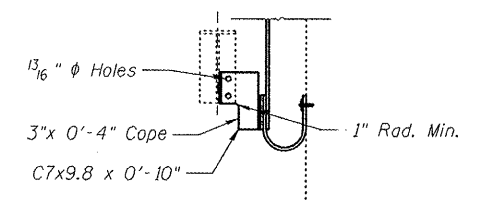
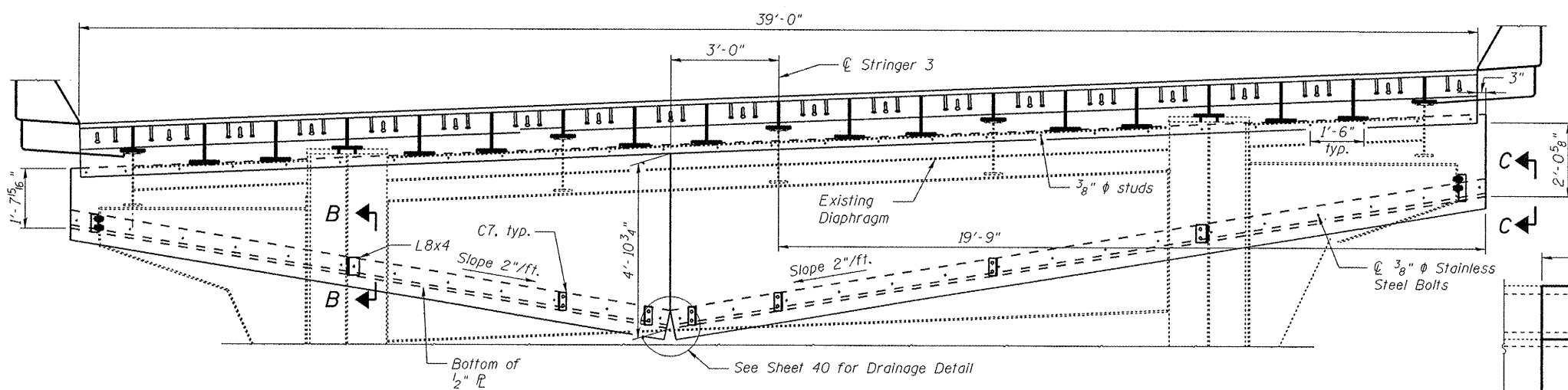


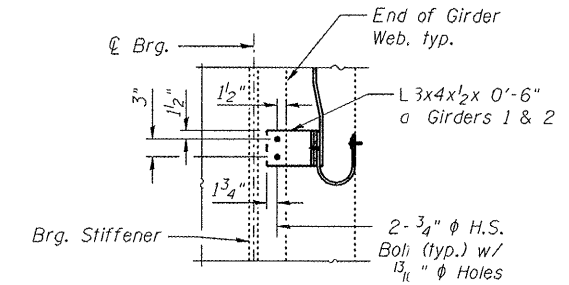
SECTION B-B
(Looking East)



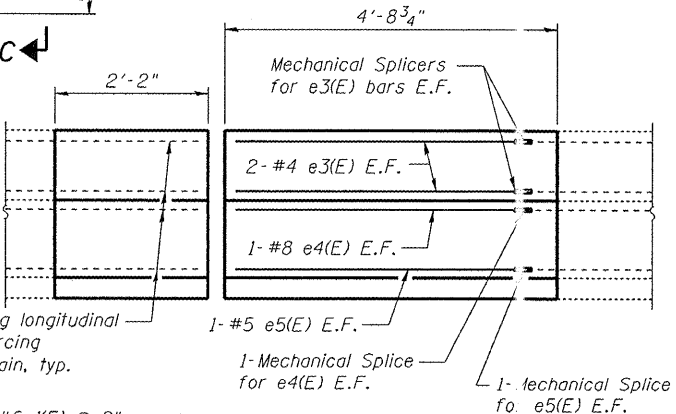
VIEW C-C
North end similar,
use C7x9.8 x 0'-6".



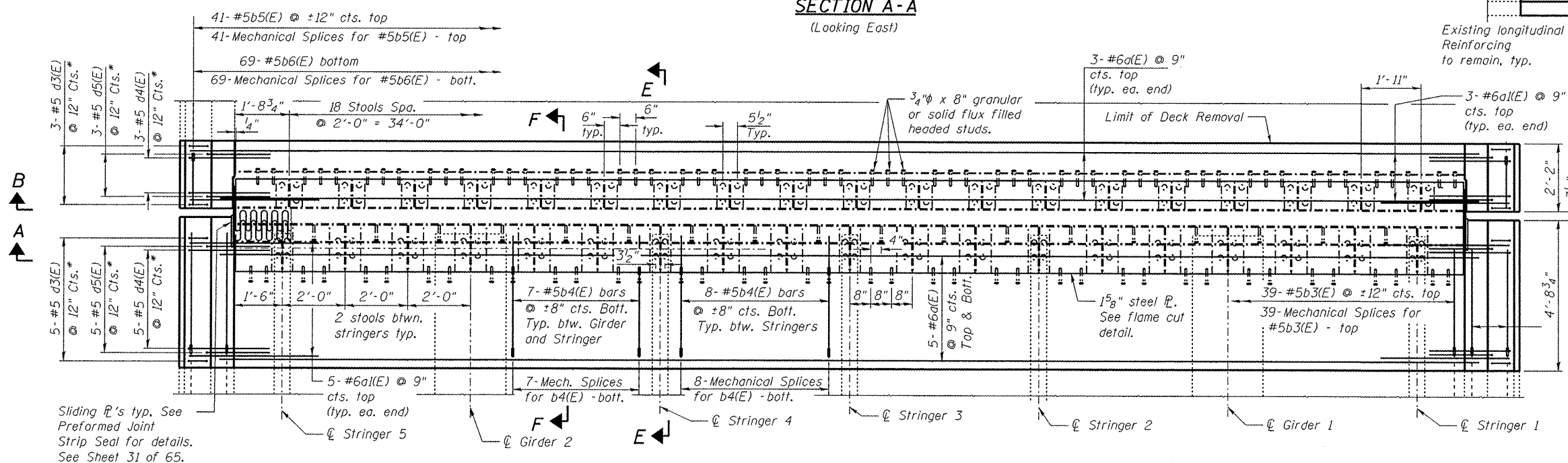
SECTION A-A
(Looking East)



SECTION D-D



INSIDE ELEVATION OF PARAPET



FINGER PLATE EXPANSION JOINT PLAN

FILE NAME =	USER NAME =	DESIGNED - BTO	REVISED -	STATE OF ILLINOIS DEPARTMENT OF TRANSPORTATION	EAST ABUTMENT FINGER PLATE EXPANSION JOINT, EB STRUCTURE NO. 090-0108	F.A.I. RTE.	SECTION	COUNT	TOTAL SHEETS	SHEET NO.
PLOT SCALE =	DRAWN - BTO	CHECKED - JAN	REVISED -			474		PEORIA & TA EWELL	129	29
PLOT DATE =	CHECKED - JAN	DRAWN - BTO	REVISED -			CONTRACT NO. 68069				
						ILLINOIS FED. AID PROJ. CT				