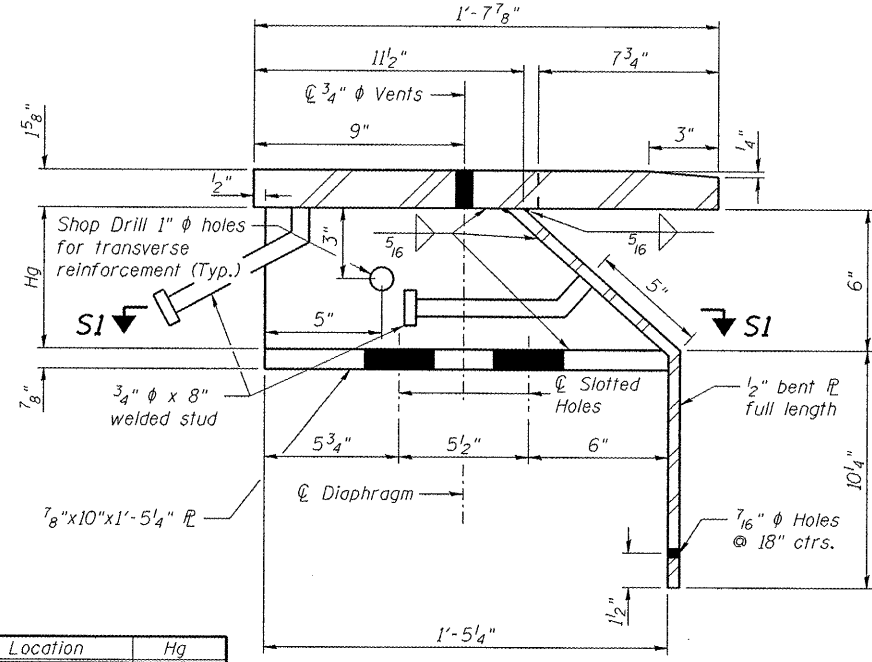
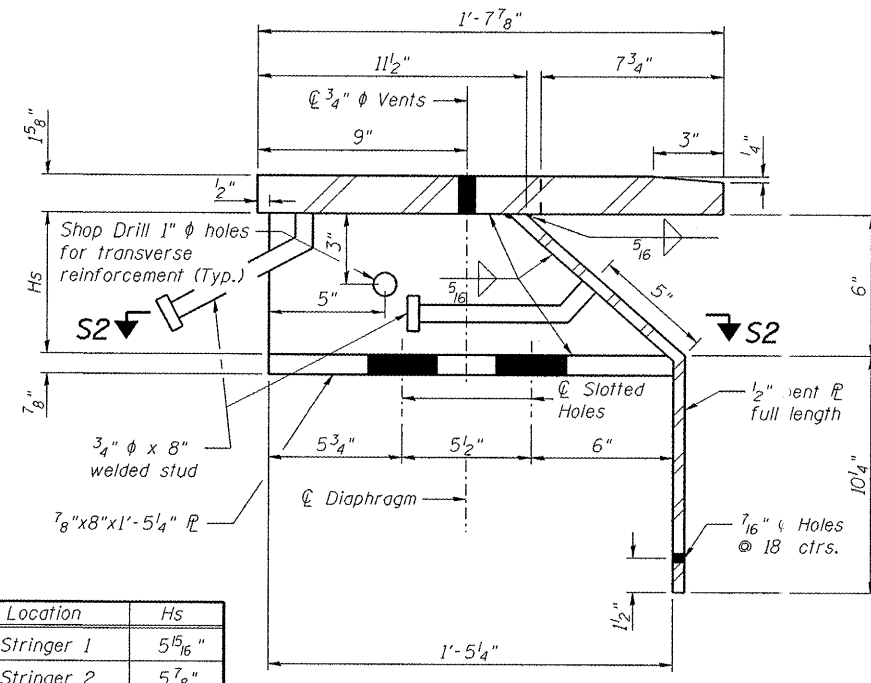


STOOL "B" DETAIL
(Located on Backwall)



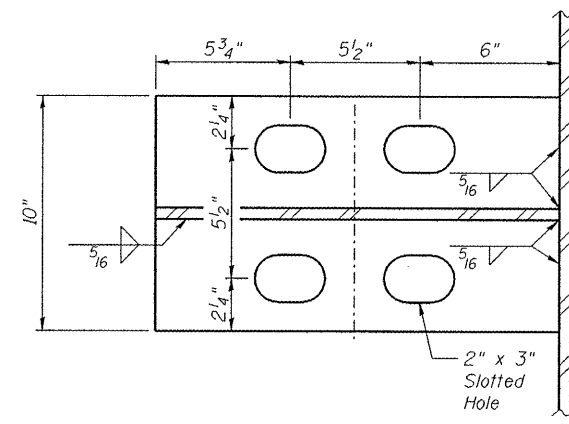
Location	Hg
Girder 1	5 ¹ / ₄ "
Girder 2	5 ⁵ / ₈ "

STOOL "C" DETAIL
(Located on Girders)

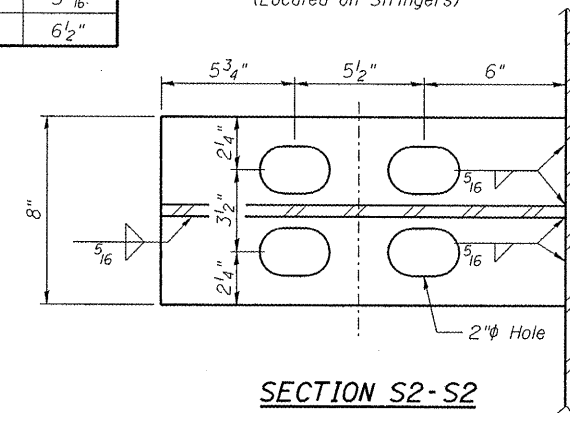


Location	Hs
Stringer 1	5 ⁵ / ₁₆ "
Stringer 2	5 ⁷ / ₈ "
Stringer 3	5 ⁵ / ₁₆ "
Stringer 4	5 ⁵ / ₁₆ "
Stringer 5	6 ¹ / ₂ "

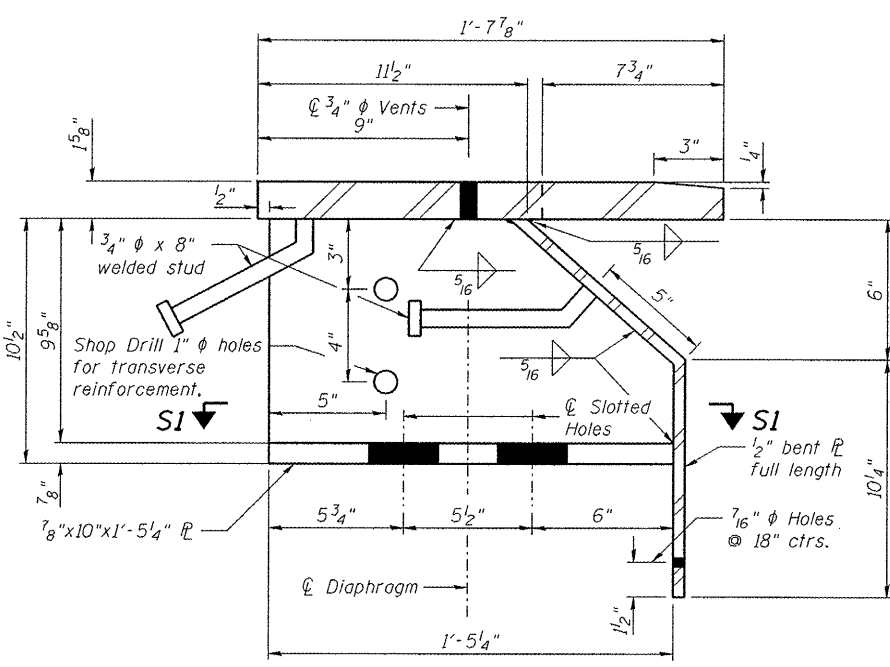
STOOL "D" DETAIL
(Located on Stringers)



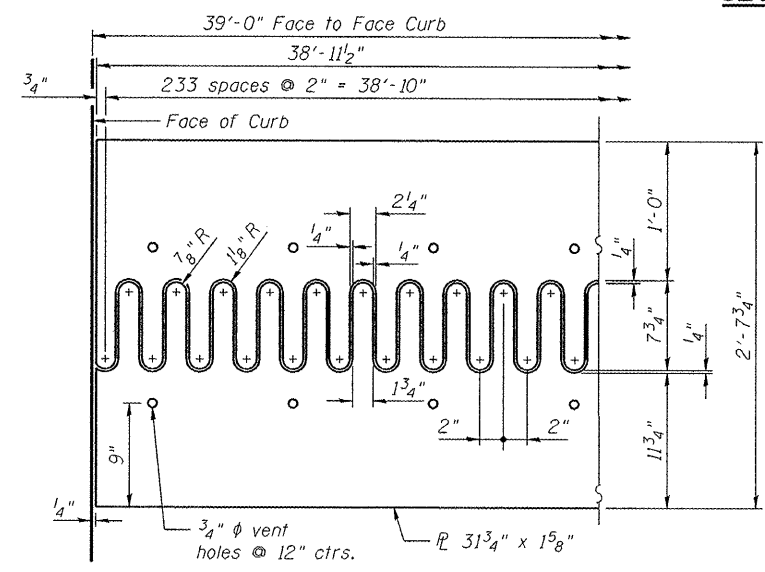
SECTION S1-S1



SECTION S2-S2



STOOL "A" DETAIL
(Located on Diaphragm)



FLAME CUT PLATE DETAIL

Note:
Finger Plates, bent plates, side plates, shim plates, & stools shall be A1/SHTO M270 Grade 50.