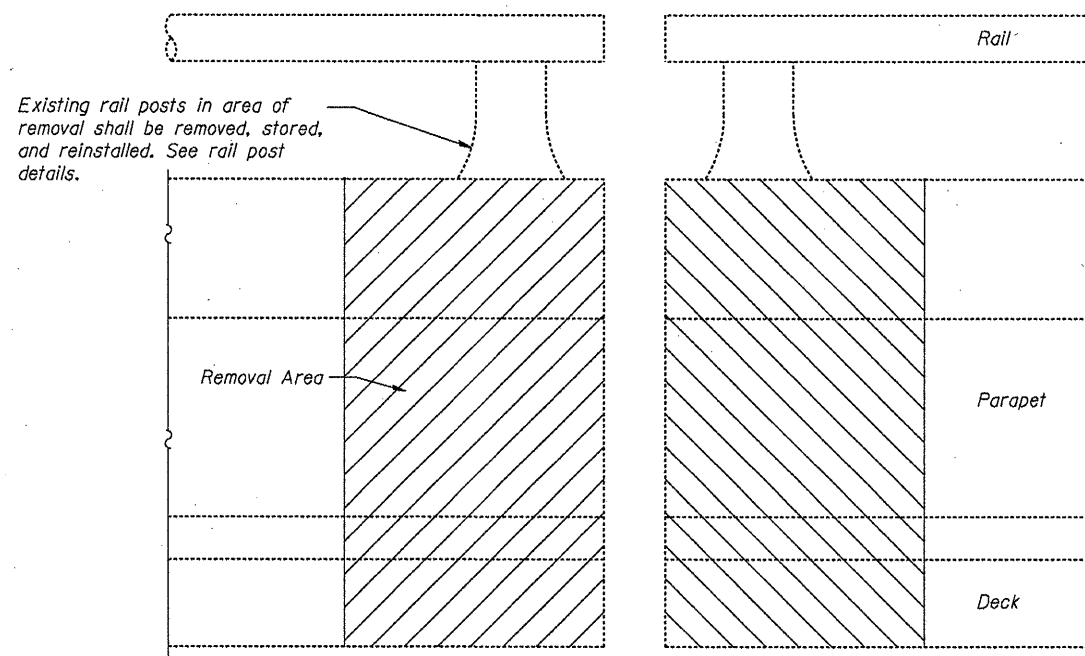
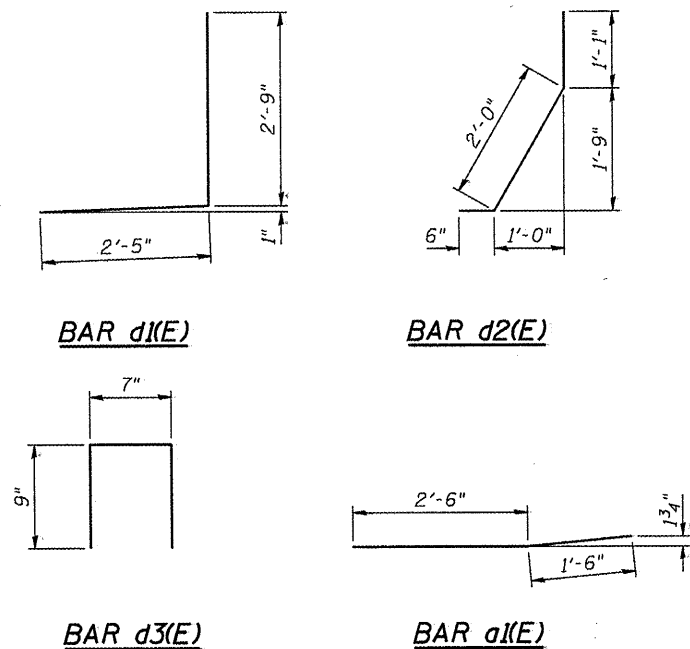


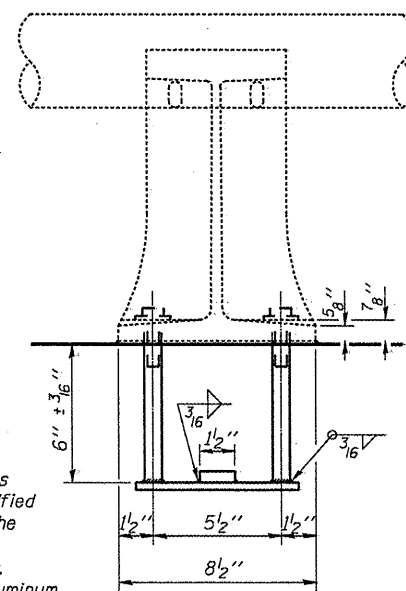
TRUSS PARAPET RECONSTRUCTION DETAIL



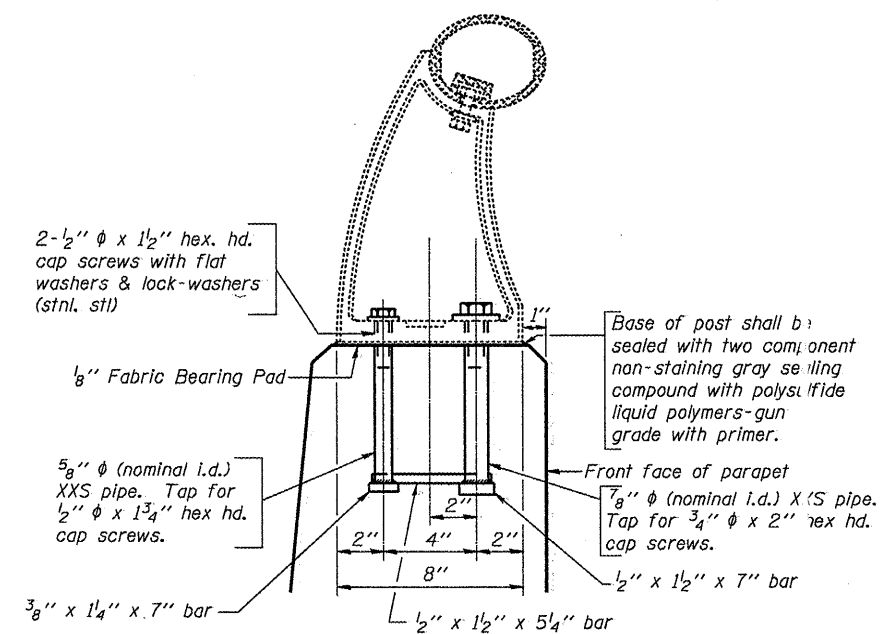
TYPICAL ELEVATION VIEW, INSIDE PARAPET FACE



Notes:
 All Posts shall be normal to parapet. In lieu of the cast-in-place anchor device shown, the Contractor has the option of drilling and setting stainless steel anchor rods of the same diameter and grade as the specified cap screws according to Article 509.06 of the Standard Specifications. Embedment shall be according to the manufacturer's specifications. Removal and re-erection of the existing aluminum handrail, rail post, and all new applicable hardware, including labor and installation shall be included in the cost of CONCRETE REMOVAL. Existing longitudinal reinforcement shall be cleaned and incorporated into the new construction. Cost included with CONCRETE REMOVAL.



VIEW B-B



RAIL POST DETAILS

FILE NAME =	USER NAME =	DESIGNED - BTO	REVISED -
		CHECKED - JAN	REVISED -
		DRAWN - RAB	REVISED -
		CHECKED - BTO	REVISED -
PLOT SCALE =			
PLOT DATE =			

**STATE OF ILLINOIS
 DEPARTMENT OF TRANSPORTATION**

**CONCRETE REMOVAL DETAILS:
 STRUCTURE NO. 090-0108 & 090-0109**
 SHEET NO. 48 OF 65 SHEETS

F.A.I. RTE. =	SECTION =	COUNT =	TOTAL SHEETS =	SHEET NO. =
474		PEORIA & T. ZEWELL	129	82
		CONTRACT NO. 68069		
		ILLINOIS FED. AID PROJ. CT		