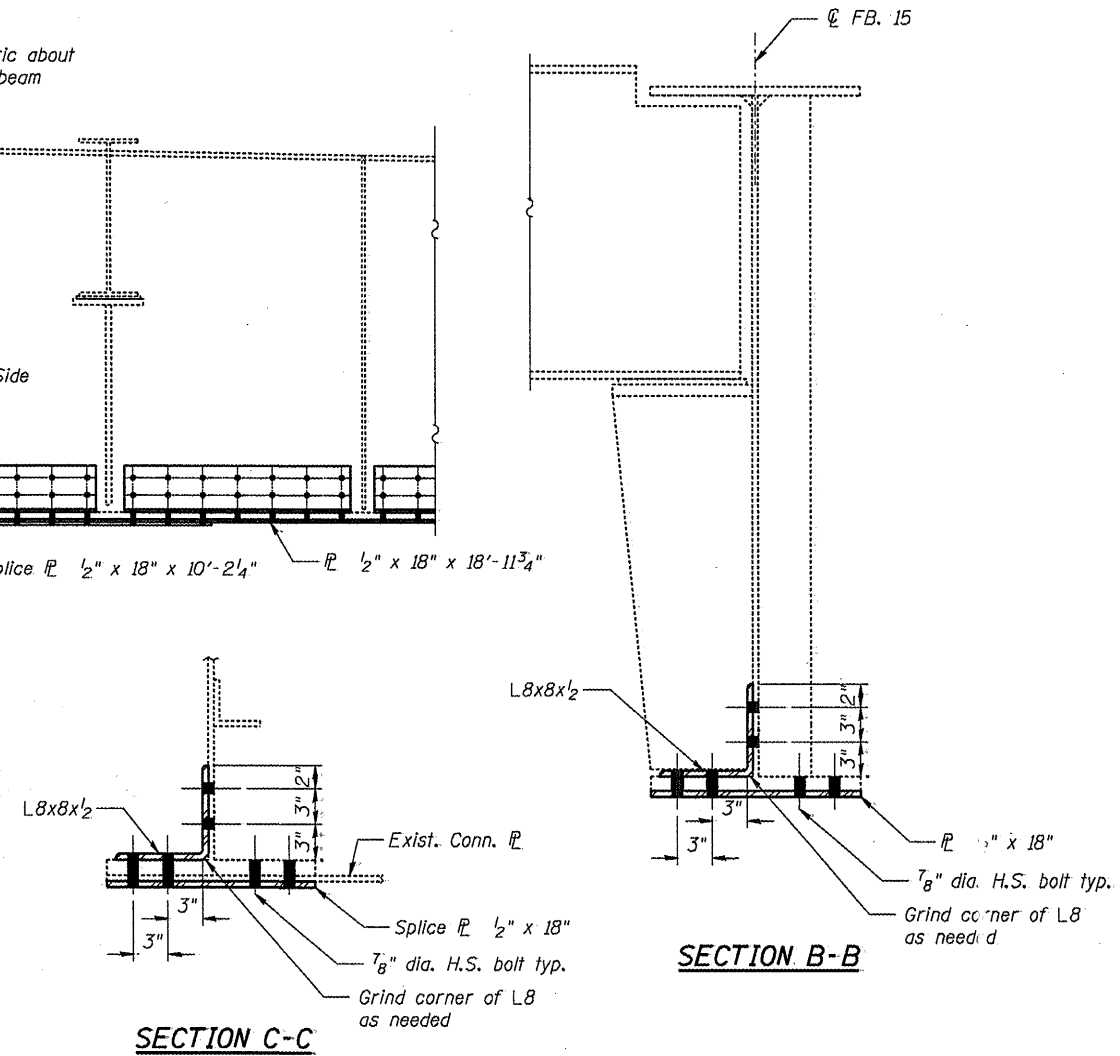
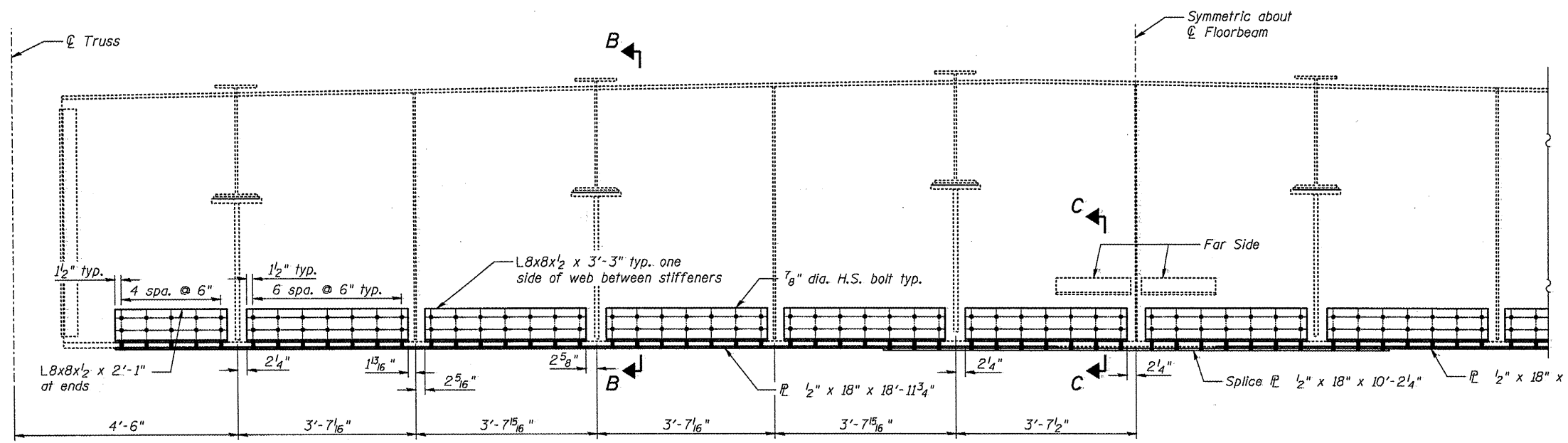


**DETAIL 11**  
Span 10  
S.N. 090-0108  
(Looking East)



**DETAIL 12**  
Span 10 FB. 15  
S.N. 090-0108  
(Looking East)

FILE NAME =	USER NAME =	DESIGNED - JAN	REVISED -
		CHECKED - BTO	REVISED -
		DRAWN - BTO	REVISED -
		CHECKED - JAN	REVISED -

STATE OF ILLINOIS  
DEPARTMENT OF TRANSPORTATION

STRUCTURAL STEEL REPAIR DETAILS; SHEET 5  
STRUCTURE NO. 090-0108 & 090-0109

SHEET NO. 56 OF 65 SHEETS

F.A.I. RTE. 474	SECTION	COUNT	TOTAL SHEETS	SHEET NO.
			129	90
			CONTRACT NO. 68069	
ILLINOIS FED. AID PROJECT				