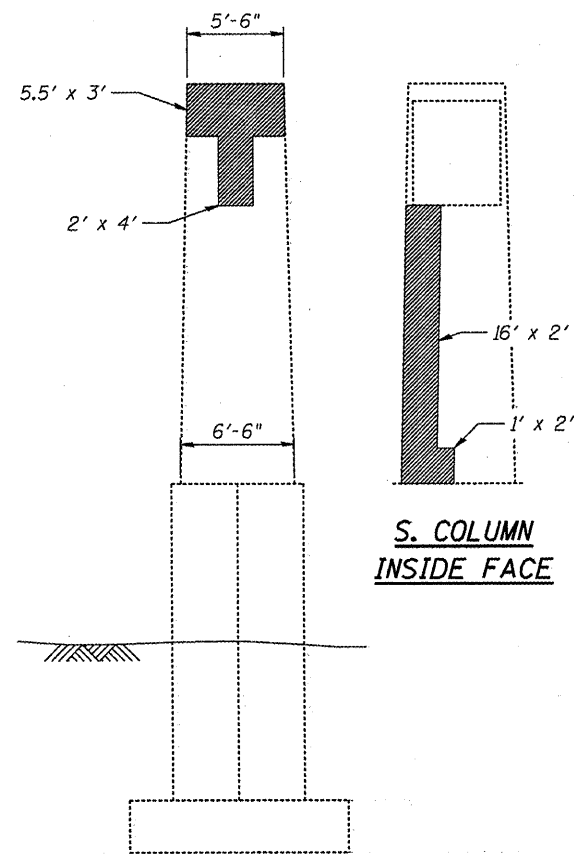
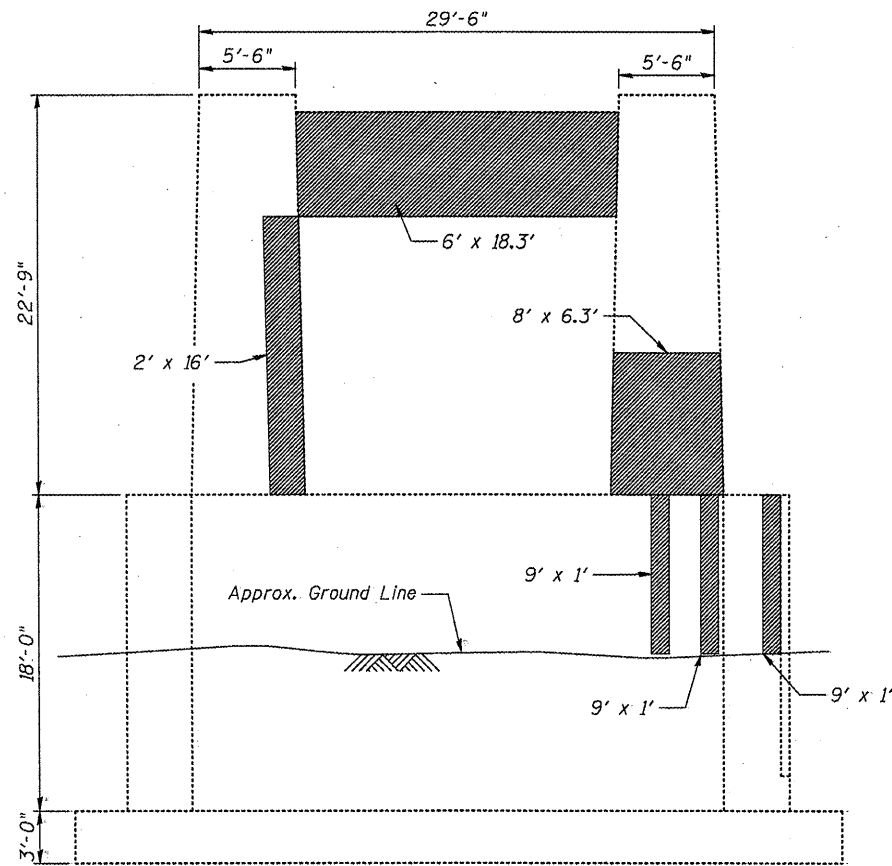


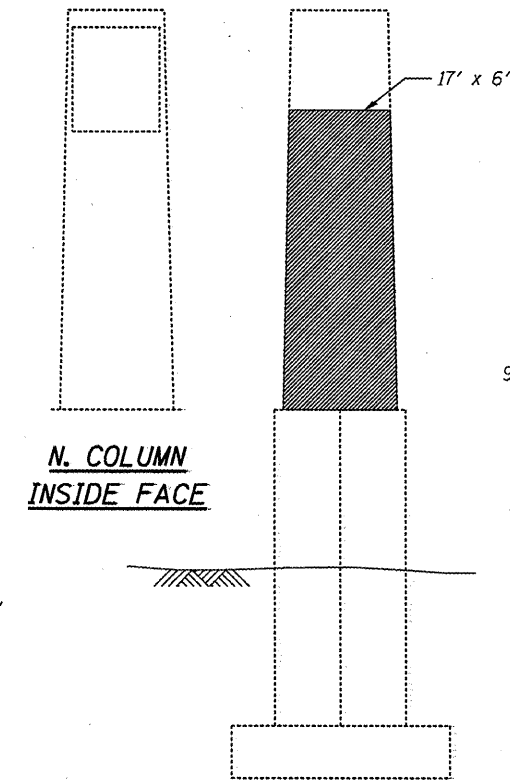
TIE BEAM UNDERSIDE PLAN



PIER 4 - SOUTH ELEVATION

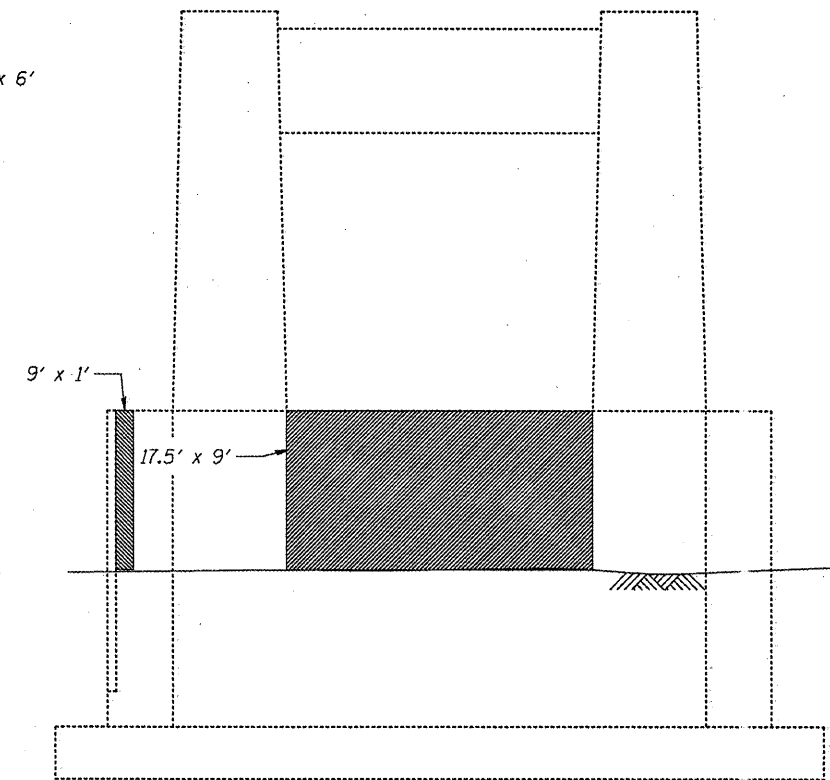


PIER 4 - EAST ELEVATION




N. COLUMN INSIDE FACE

PIER 4 - NORTH ELEVATION



PIER 4 - WEST ELEVATION

LEGEND

 Structural Repair of Concrete (Depth less than 5")
(Typ. all piers)

Note:
Contractor shall verify limits of unsound concrete shown prior to beginning repair.

BILL OF MATERIAL

ITEM	UNIT	QUANTITY
Structural Repair of Concrete (Depth Equal To or Less Than 5")	Sq. Ft.	570

FILE NAME =	USER NAME =	DESIGNED - BTO	REVISED -
		CHECKED - RAB	REVISED -
	PLOT SCALE =	DRAWN - BTO	REVISED -
	PLOT DATE =	CHECKED - RAB	REVISED -

**STATE OF ILLINOIS
DEPARTMENT OF TRANSPORTATION**

**PIER 4: SUBSTRUCTURE REPAIR; EB:
STRUCTURE NO. 090-0108**

SHEET NO. 62 OF 66 SHEETS

F.A.I. RTE.	SECTION	COUNTY	TOTAL SHEETS	SHEET NO.
474		PEORIA & TAZEWELL	129	93
CONTRACT NO. 68069			ILLINOIS FED. AID PROJECT	