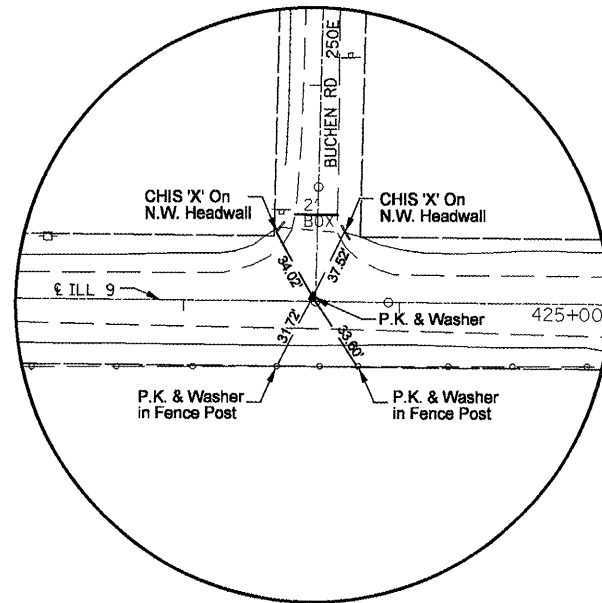


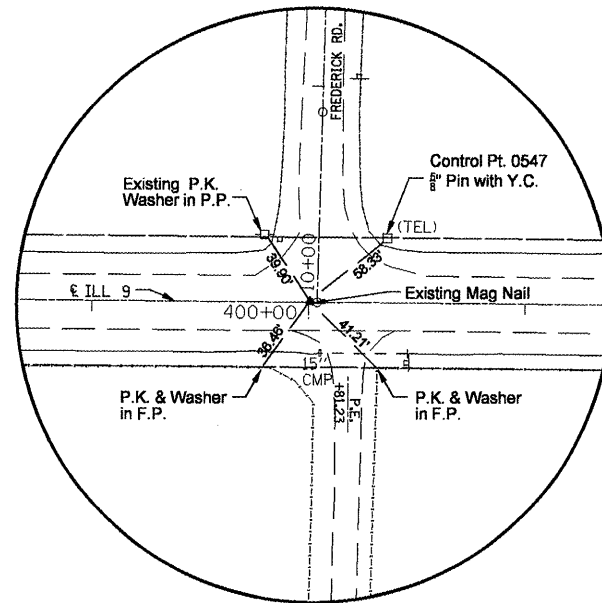
N 1/4 Sec. 21, T7N - R1E



Sta. 426+50.04
 X-Coord. 2232755.3445
 Y-Coord. 1426716.3588



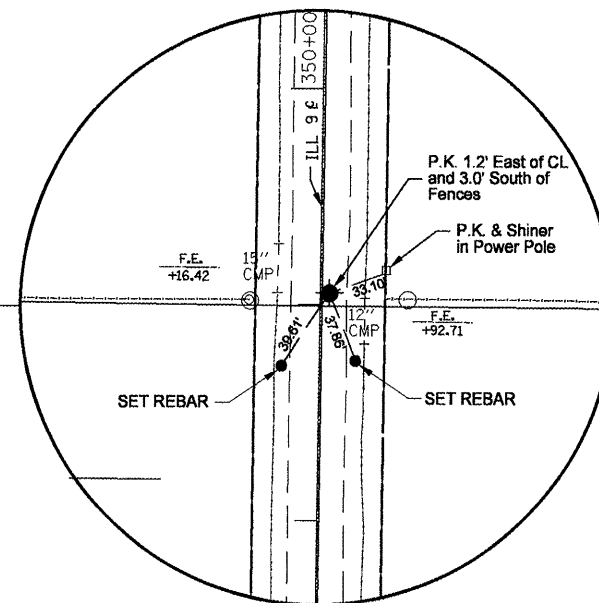
S.E. Corner Sec. 16, T7N - R1E



Sta. 399+98.33
 X-Coord. 2235406.9982
 Y-Coord. 1426698.3199



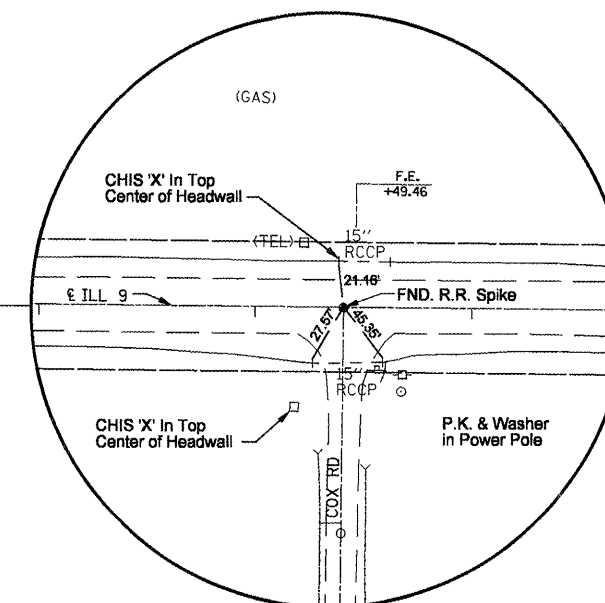
Sec. 22, T7N - R1E



Sta. 349+05.57
 X-Coord. 2238030.0420
 Y-Coord. 1424012.0236



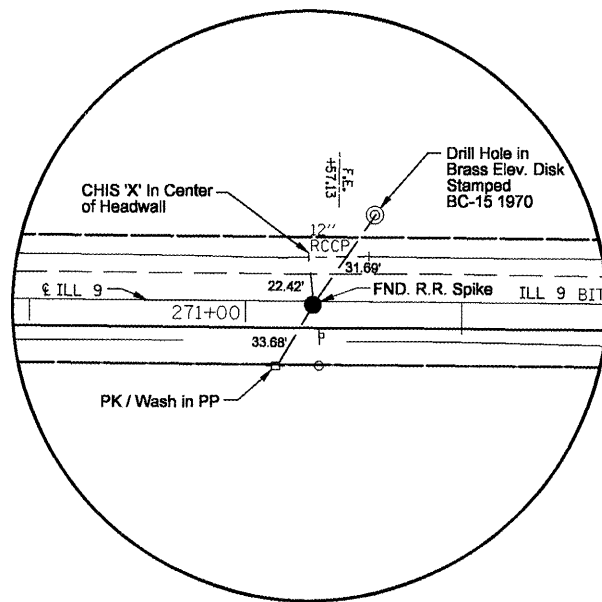
NE Corner Sec. 27, T7N - R1E



Sta. 297+58.98
 X-Coord. 2240684.3280
 Y-Coord. 1421298.3081



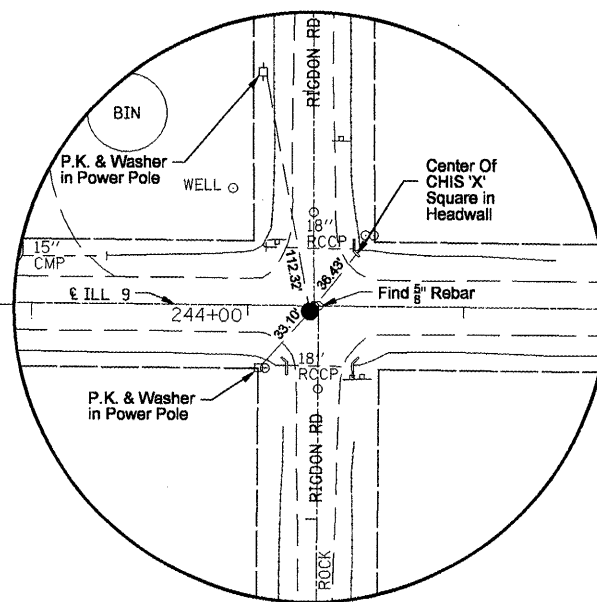
N 1/4 Corner Sec. 26, T7N - R1E



Sta. 270+68.91
 X-Coord. 2246072.0524
 Y-Coord. 1421273.6819



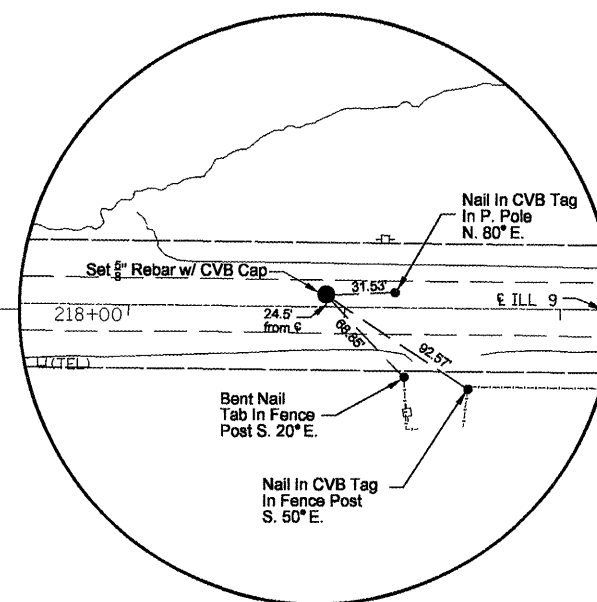
NE Corner Sec. 26, T7N - R1E



Sta. 243+71.04
 X-Coord. 2246072.0524
 Y-Coord. 1421249.5123



S 1/4 Sec. 24, T7N - R1E



Sta. 217+08.48
 X-Coord. 2248734.5825
 Y-Coord. 1421235.1704



FILE NAME = sht-ATB.dgn	USER NAME = mandezpj	DESIGNED -	REVISED -
		DRAWN -	REVISED -
		CHECKED -	REVISED -
		DATE -	REVISED -

STATE OF ILLINOIS
 DEPARTMENT OF TRANSPORTATION

ALIGNMENT, TIES AND BENCHMARKS

SCALE: SHEET NO. OF SHEETS STA. TO STA.

F.A.P. RTE. 685	SECTION **	COUNTY *	TOTAL SHEETS 329	SHEET NO. 35
CONTRACT NO. 68599				