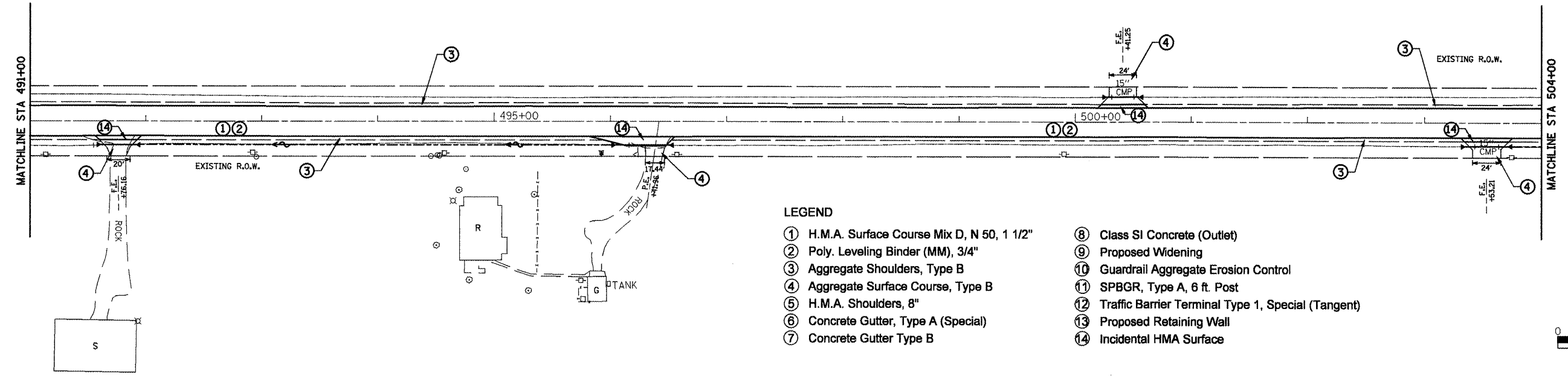
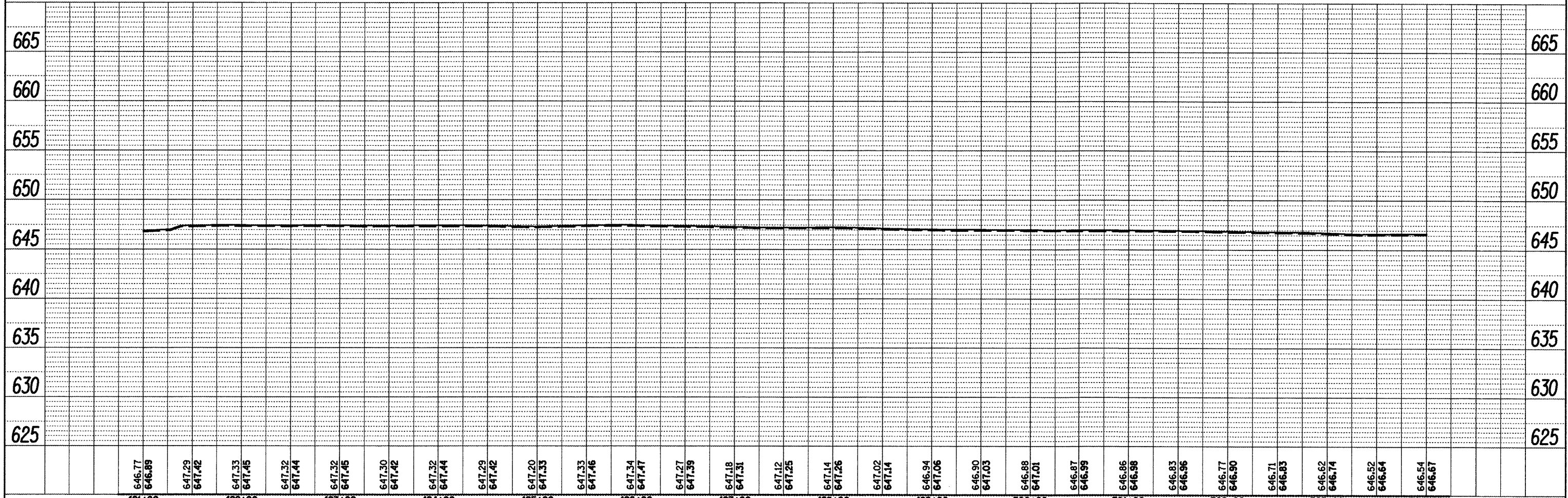
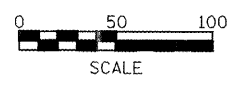


DATE	
BY	
REVISIONS	
PLANNED	
NOTED	
NO.	
FILE NAME	

DATE	
BY	
REVISIONS	
PLANNED	
NOTED	
NO.	
FILE NAME	



- LEGEND**
- ① H.M.A. Surface Course Mix D, N 50, 1 1/2"
 - ② Poly. Leveling Binder (MM), 3/4"
 - ③ Aggregate Shoulders, Type B
 - ④ Aggregate Surface Course, Type B
 - ⑤ H.M.A. Shoulders, 8"
 - ⑥ Concrete Gutter, Type A (Special)
 - ⑦ Concrete Gutter Type B
 - ⑧ Class SI Concrete (Outlet)
 - ⑨ Proposed Widening
 - ⑩ Guardrail Aggregate Erosion Control
 - ⑪ SPBGR, Type A, 6 ft. Post
 - ⑫ Traffic Barrier Terminal Type 1, Special (Tangent)
 - ⑬ Proposed Retaining Wall
 - ⑭ Incidental HMA Surface



FILE NAME = Plan Sheets2.dgn	USER NAME = mendezpj	DESIGNED -	REVISED -	STATE OF ILLINOIS DEPARTMENT OF TRANSPORTATION	DESIGN PLAN AND PROFILE	F.A.P. RTE.	SECTION	COUNTY	TOTAL SHEETS	SHEET NO.
PLOT SCALE = 100.0000' / IN.	CHECKED -	REVISED -	685			**		329	87	
PLOT DATE = 3/25/2011	DATE -	REVISED -	CONTRACT NO. 68599							
						ILLINOIS FED. AID PROJECT				