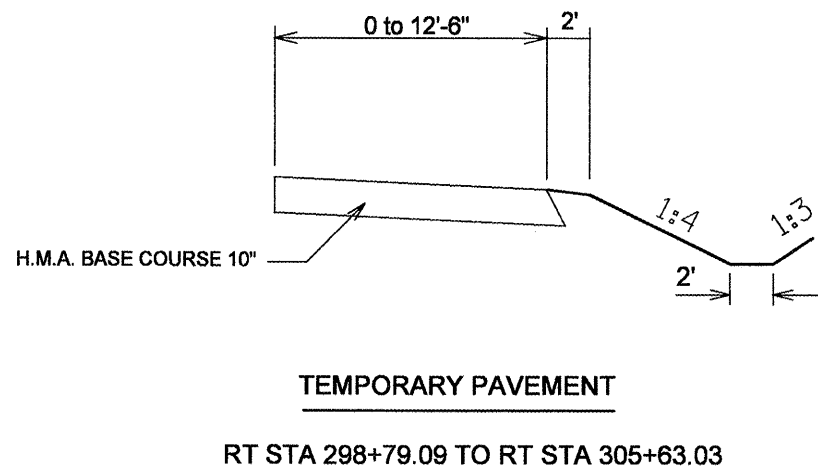
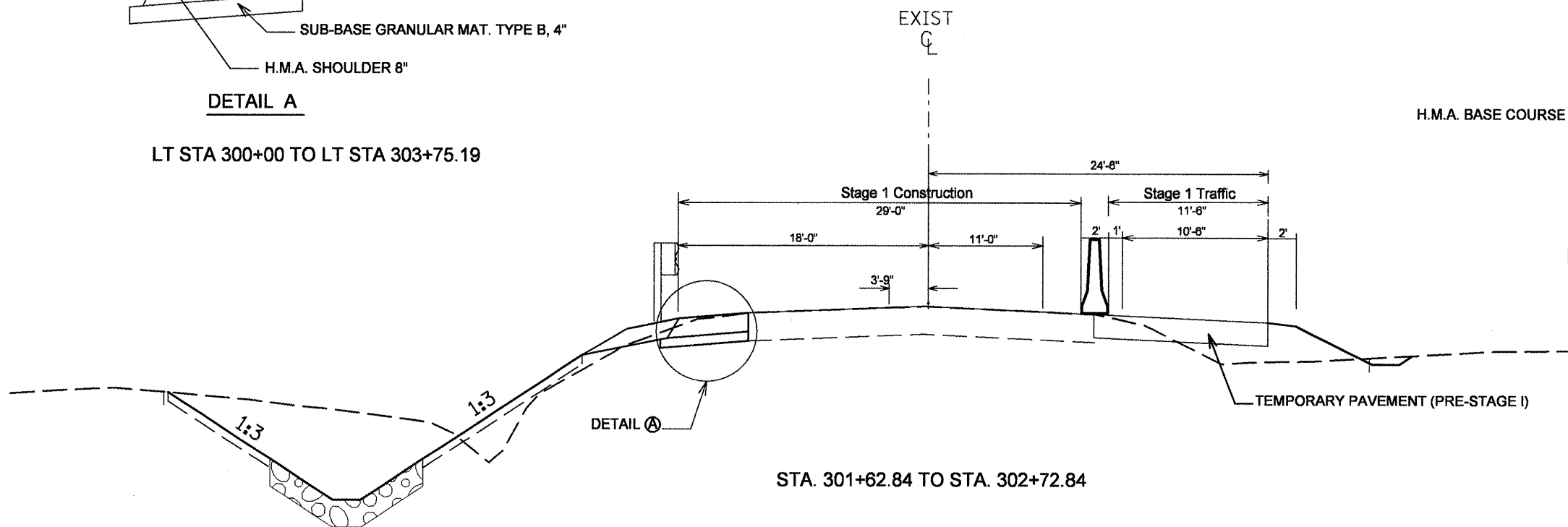
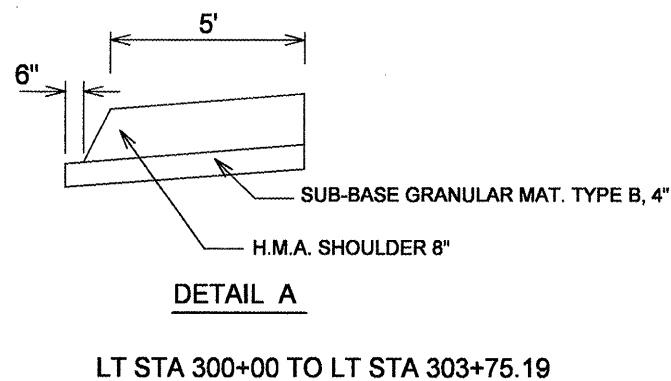
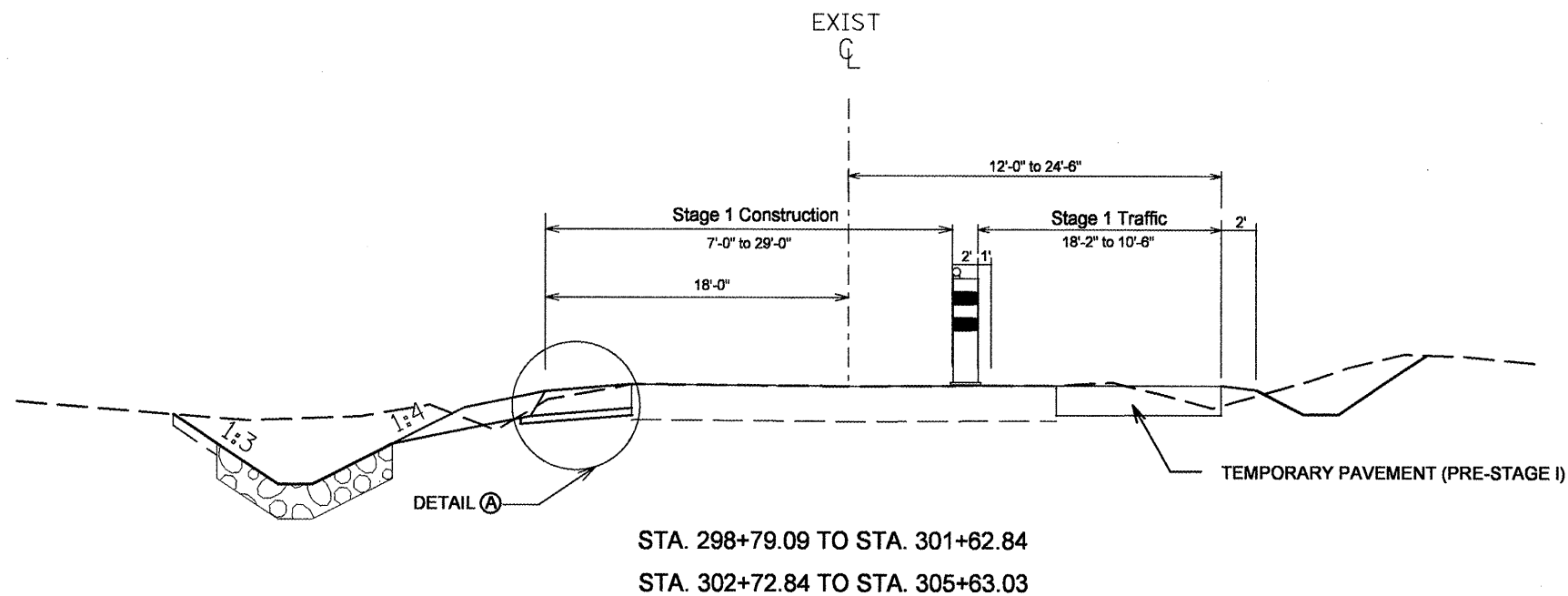


# STAGE I



FILE NAME = sht-staging.dgn	USER NAME = mendezp.j	DESIGNED -	REVISED -
		DRAWN -	REVISED -
	PLDT SCALE = 1/8" = 1/8" / IN.	CHECKED -	REVISED -
	PLDT DATE = 3/25/2011	DATE -	REVISED -

STATE OF ILLINOIS  
DEPARTMENT OF TRANSPORTATION

STAGING AND TRAFFIC CONTROL

SCALE: SHEET NO. OF SHEETS STA. TO STA.

F.A.P. RTE.	SECTION	COUNTY	TOTAL SHEETS	SHEET NO.
685	**	*	329	95
CONTRACT NO. 68599			ILLINOIS FED. AID PROJECT	