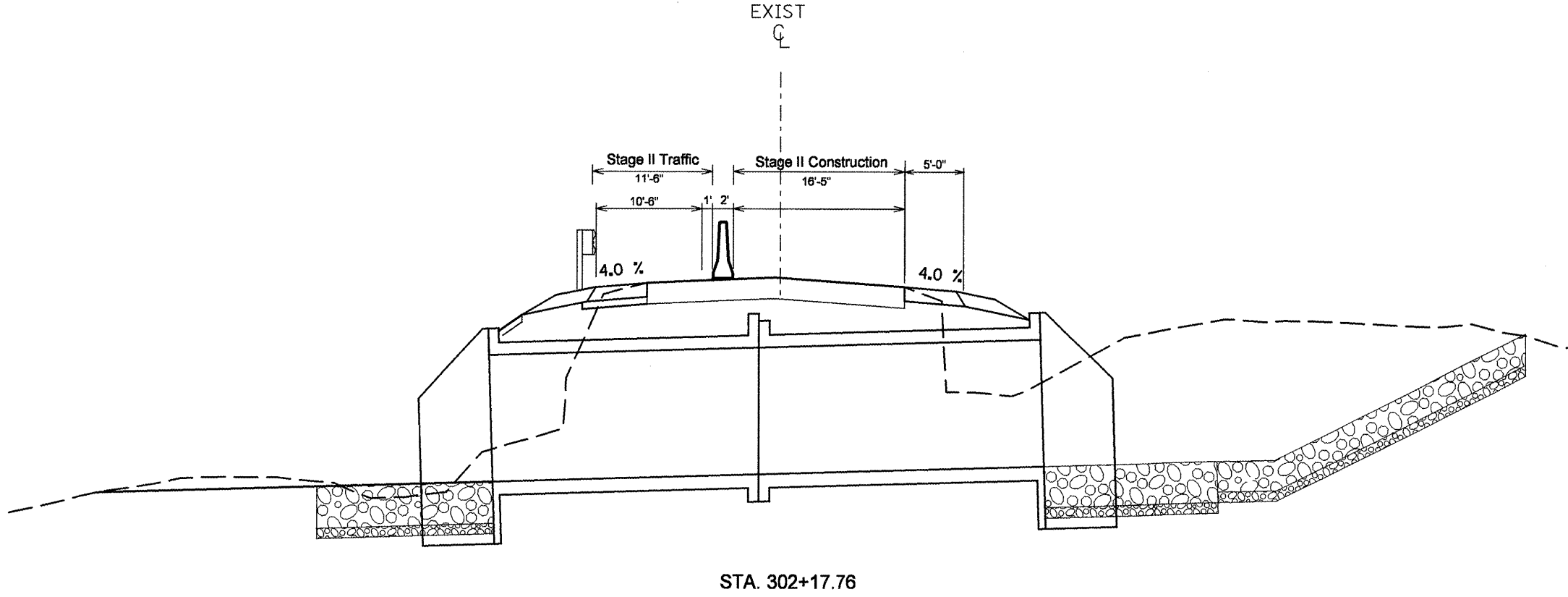
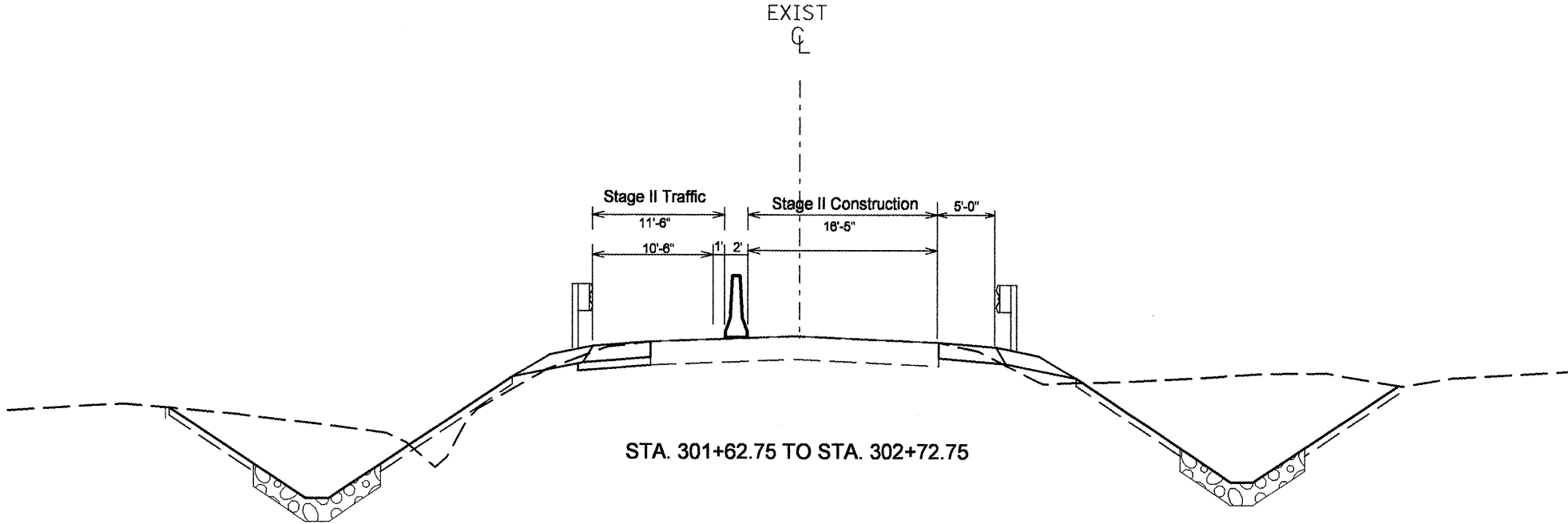


STAGE II



FILE NAME = sht-staging.dgn	USER NAME = mendezp.j	DESIGNED -	REVISED -
		DRAWN -	REVISED -
		CHECKED -	REVISED -
		DATE -	REVISED -

**STATE OF ILLINOIS
DEPARTMENT OF TRANSPORTATION**

STAGING AND TRAFFIC CONTROL

SCALE: SHEET NO. OF SHEETS STA. TO STA.

F.A.P. RTE. 685	SECTION **	COUNTY •	TOTAL SHEETS 329	SHEET NO. 97
CONTRACT NO. 68599				