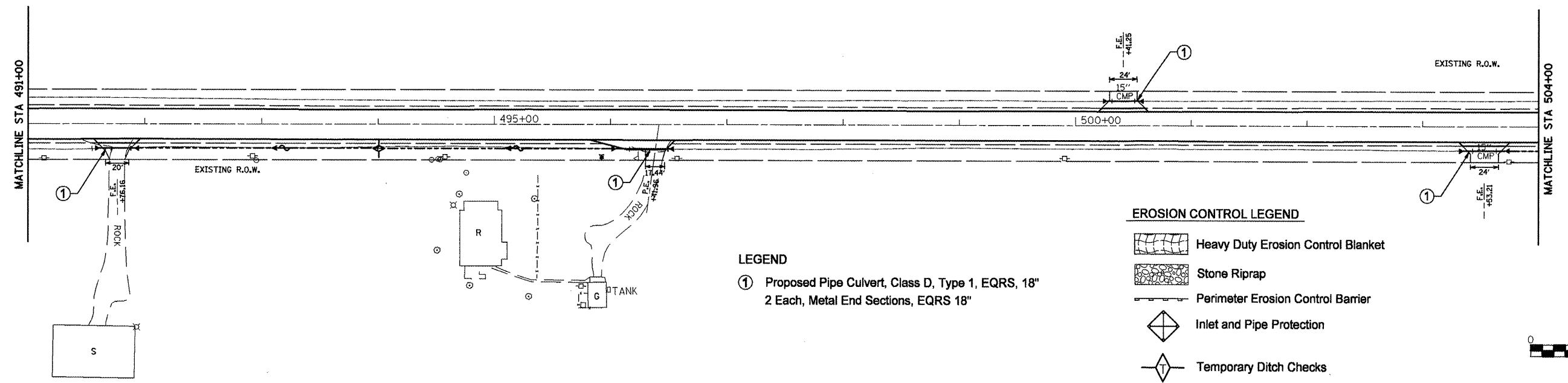


PLAN	SURVEYED	BY	DATE
	PLOTTED		
	CHECKED		
	BY		
	DATE		
	NO.		
	FILE NAME		

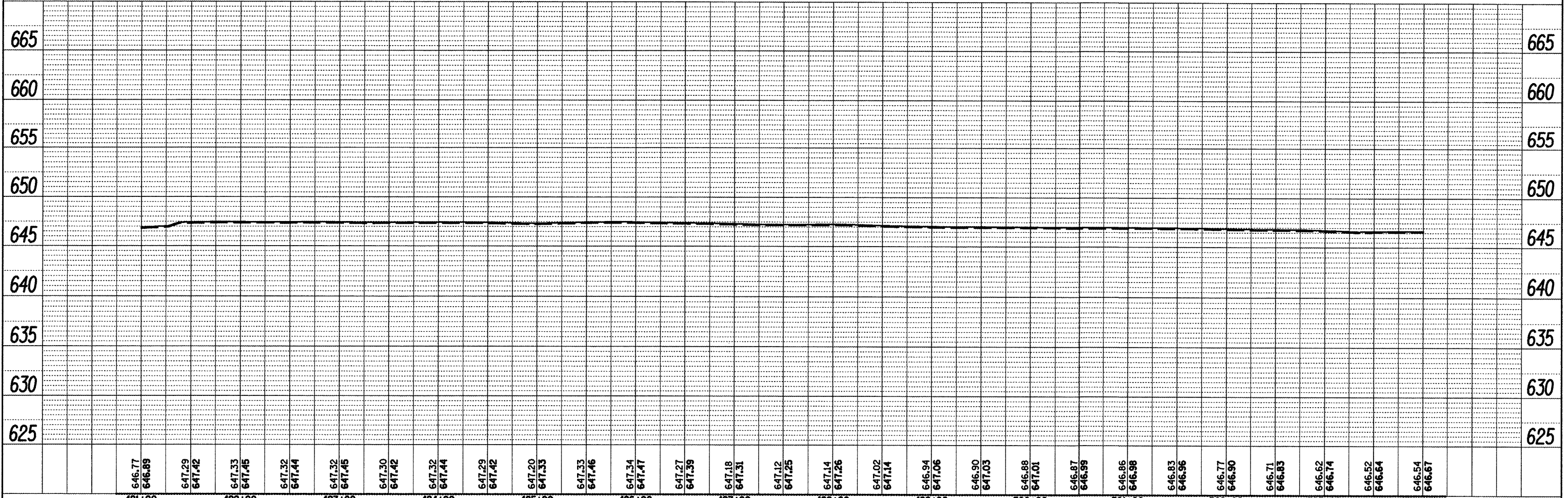
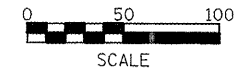
PROFILE	SURVEYED	BY	DATE
	PLOTTED		
	CHECKED		
	BY		
	DATE		
	NO.		
	FILE NAME		



LEGEND
 ① Proposed Pipe Culvert, Class D, Type 1, EQRS, 18"
 2 Each, Metal End Sections, EQRS 18"

EROSION CONTROL LEGEND

- Heavy Duty Erosion Control Blanket
- Stone Riprap
- Perimeter Erosion Control Barrier
- Inlet and Pipe Protection
- Temporary Ditch Checks



FILE NAME = D:\asnage\Plans2\dgn	USER NAME = mendezpj	DESIGNED -	REVISED -	STATE OF ILLINOIS DEPARTMENT OF TRANSPORTATION	DRAINAGE PLANS / EROSION CONTROL PLANS		F.A.P. RTE. 685	SECTION ..	COUNTY ..	TOTAL SHEETS 329	SHEET NO. 128	
PLOT SCALE = 100.0000' / IN.	CHECKED -	REVISED -	REVISED -		SCALE:	SHEET NO. OF SHEETS	STA.	TO STA.	CONTRACT NO. 68599			
PLOT DATE = 3/25/2011	DATE -	REVISED -	REVISED -		ILLINOIS FED. AID PROJECT							
** (37,38)RS-3,39RS-5;(38)I • Fulton, McDonough												