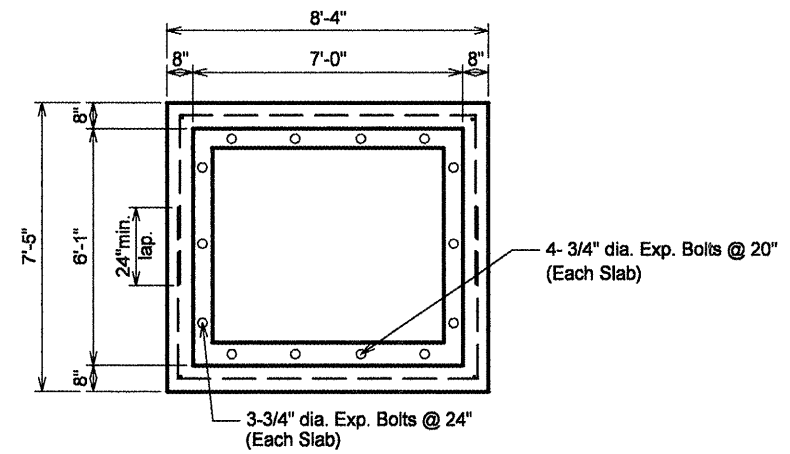
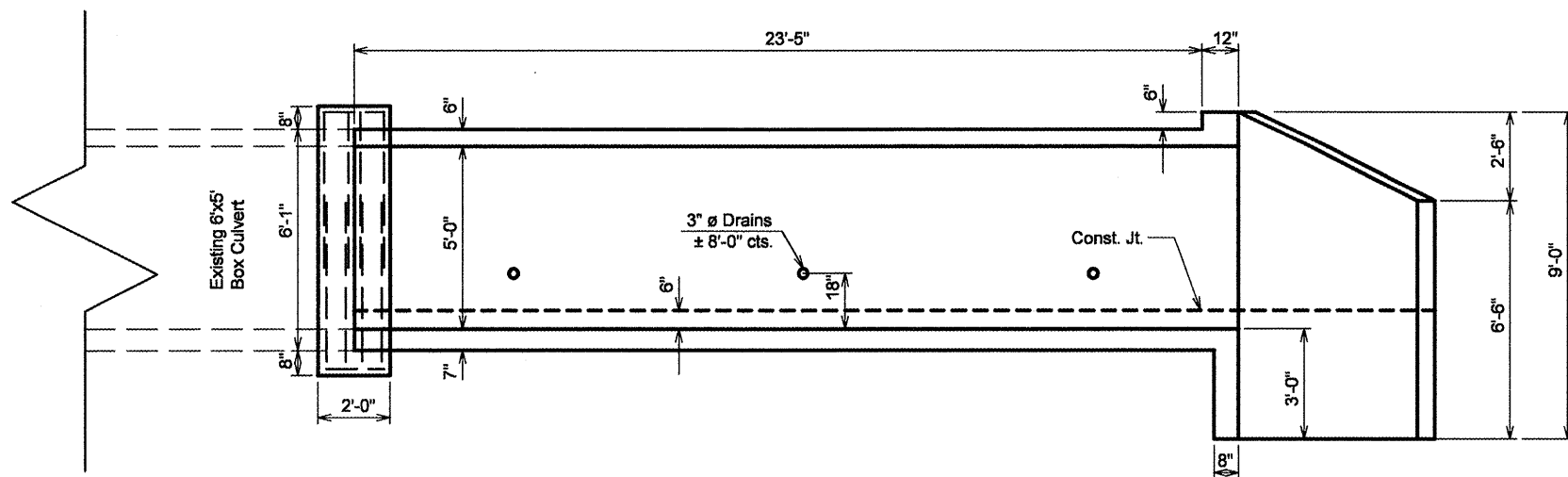


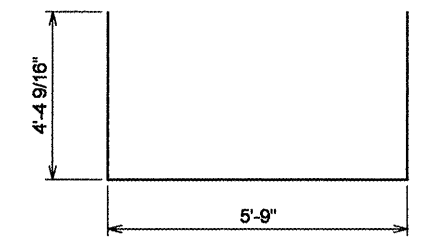
**RIGHT SIDE PLAN VIEW**  
NOT TO SCALE



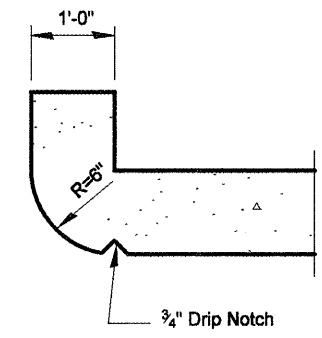
**DETAIL OF CONCRETE COLLAR**  
NOT TO SCALE



**RIGHT SIDE ELEVATION VIEW**  
NOT TO SCALE



**#4 U bar 8 required per collar**  
NOT TO SCALE



**Section thru headwall**  
(Up Stream End Only)

FILE NAME = sht-details.dgn	USER NAME = mendeazj	DESIGNED -	REVISED -	<b>STATE OF ILLINOIS DEPARTMENT OF TRANSPORTATION</b>	<b>BOX CULVERT EXTENSION DETAIL RT. STA. 418 + 16.23</b>			F.A.P. RTE. 685	SECTION **	COUNTY *	TOTAL SHEETS 329	SHEET NO. 137
PLOT SCALE = 1/8" = 1'-0"	CHECKED -	REVISED -	CONTRACT NO. 68599									
PLOT DATE = 3/25/2011	DATE -	REVISED -	SCALE: SHEET NO. OF SHEETS STA. TO STA.		ILLINOIS FED. AID PROJECT							
							(37,38)RS-3,39RS-5(38)		Fulton, McDonough			