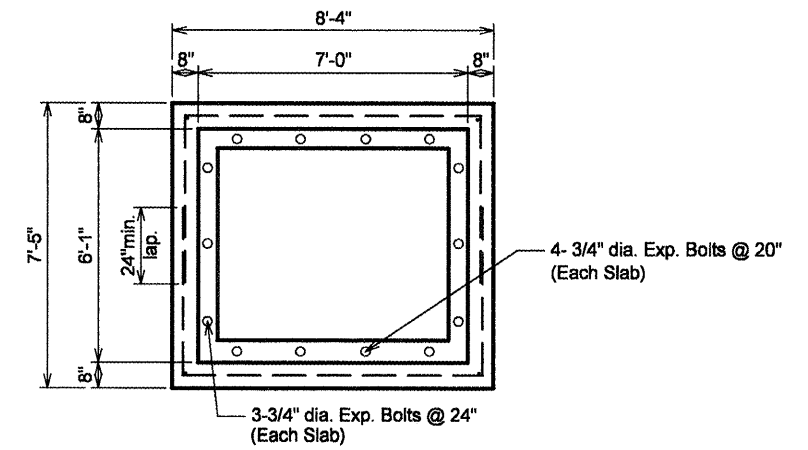
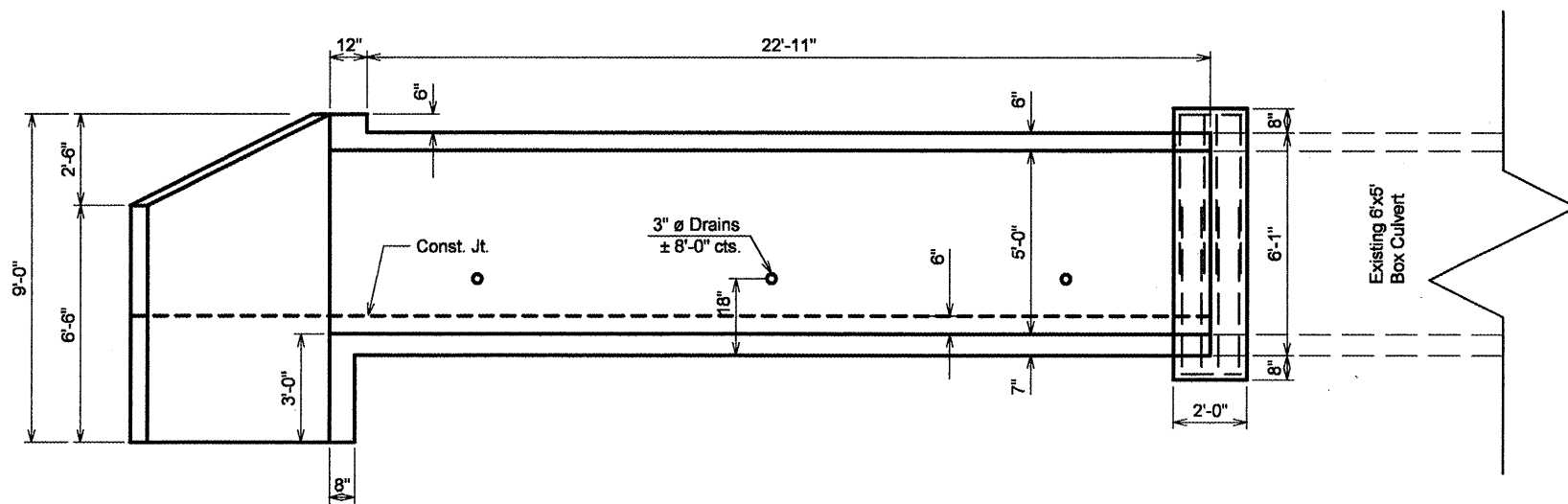


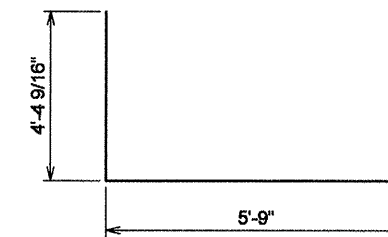
LEFT SIDE PLAN VIEW
NOT TO SCALE



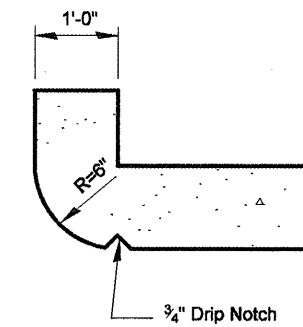
DETAIL OF CONCRETE COLLAR
NOT TO SCALE



LEFT SIDE ELEVATION VIEW
NOT TO SCALE



#4 U bar 8 required per collar
NOT TO SCALE



Section thru headwall
(Up Stream End Only)

FILE NAME = sht-details.dgn	USER NAME = mendezipj	DESIGNED -	REVISED -
		DRAWN -	REVISED -
	PLOT SCALE = 100.0000' / IN.	CHECKED -	REVISED -
	PLOT DATE = 3/25/2011	DATE -	REVISED -

STATE OF ILLINOIS
DEPARTMENT OF TRANSPORTATION

BOX CULVERT EXTENSION DETAIL
LT. STA. 418 + 16.23

F.A.P. RTE. 685	SECTION **	COUNTY *	TOTAL SHEETS 329	SHEET NO. 139
SCALE: SHEET NO. OF SHEETS STA. TO STA.			CONTRACT NO. 68599	