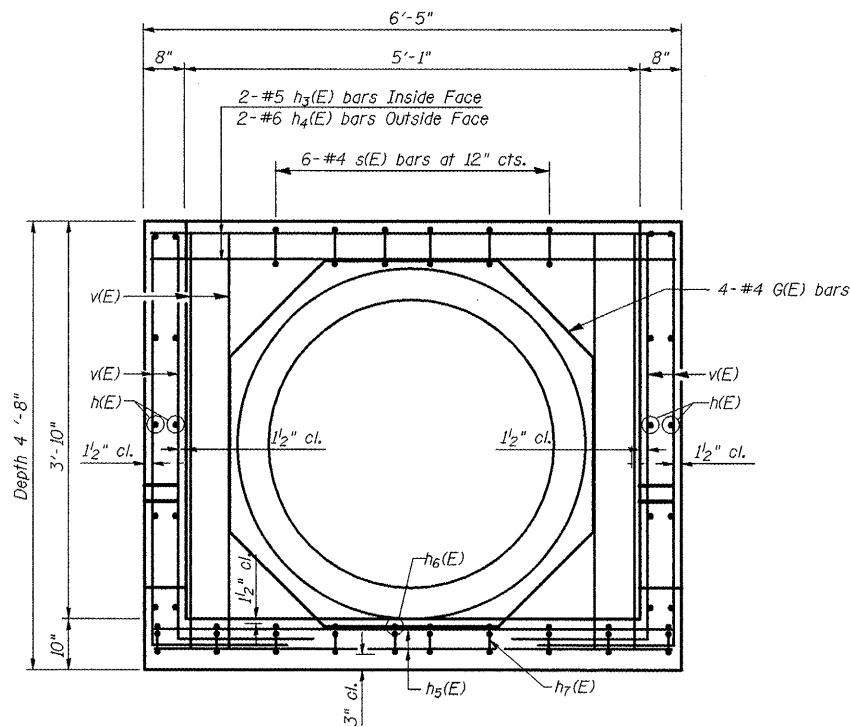


**HALF LONG SECTION HALF ELEVATION**



**SECTION A-A**

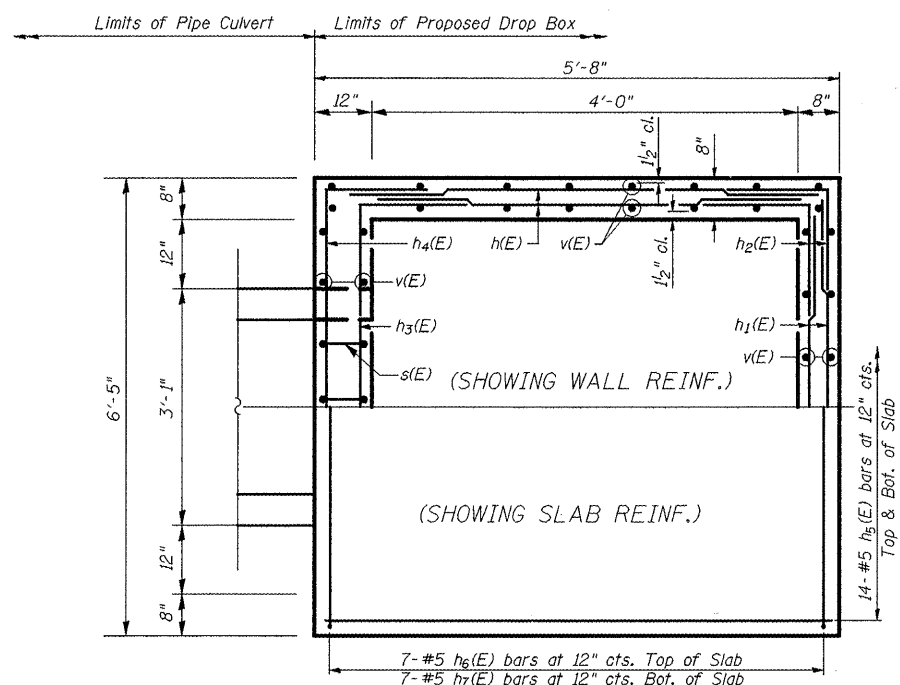
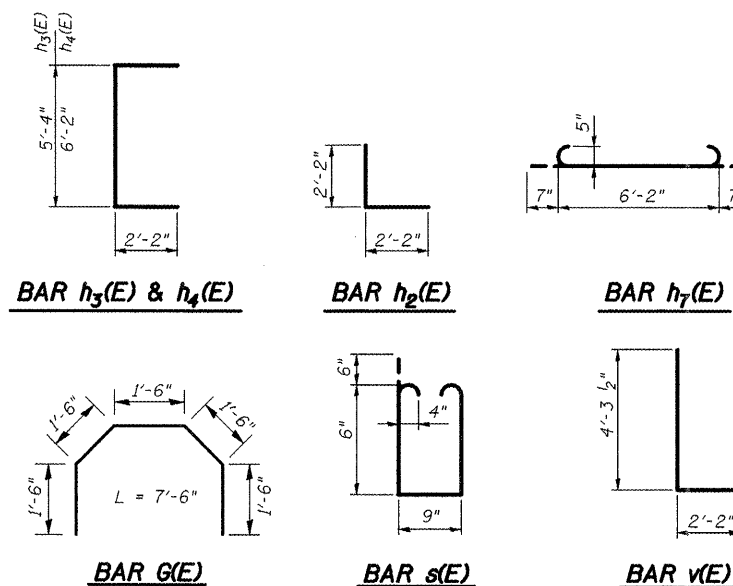
**NOTES**

Reinforcement bars shall conform to the requirements of ASTM A706 Gr. 60 (IL Modified), See Special Provisions.

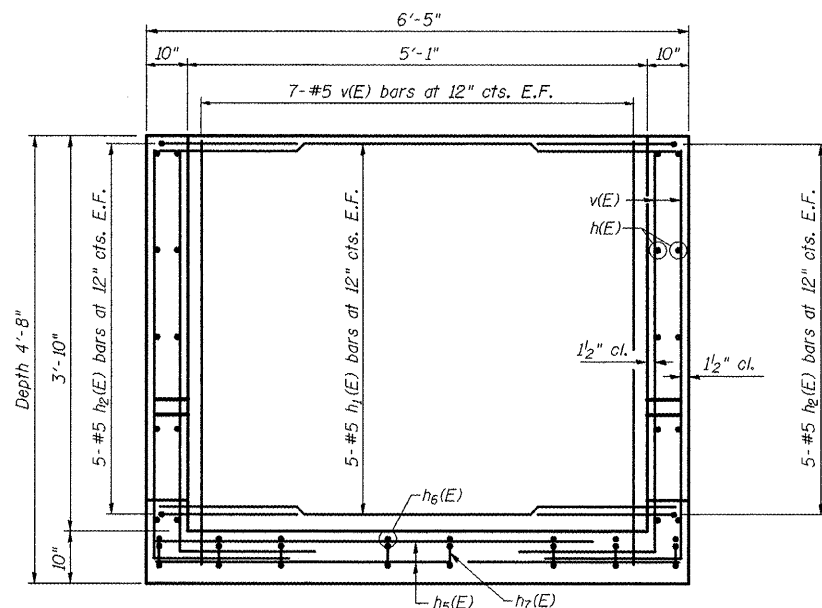
The contractor shall be responsible for diverting the water flow from the construction area using a method meeting the approval of the Engineer. Cost included with "Concrete Box Culverts".

Drain holes shall be constructed in accordance with section 503.11.

Reinforcement bars designated (E) shall be epoxy coated.



**PLAN**



**SECTION B-B**

**BILL OF MATERIAL**

Bar	No.	Size	Length	Shape
h(E)	20	#5	5'-4"	U
h1(E)	10	#5	6'-2"	U
h2(E)	36	#5	4'-4"	U
h3(E)	2	#5	9'-8"	U
h4(E)	2	#6	10'-6"	U
h5(E)	14	#5	6'-2"	U
h6(E)	7	#5	5'-5"	U
h7(E)	7	#5	6'-7"	U
s(E)	6	#4	2'-9"	U
v(E)	50	#5	6'-5 1/2"	U
G(E)	4	#4	7'-6"	U
Concrete Box Culverts			Cu. Yd.	2.70
Reinforcement Bars, Epoxy Coated			Pound	935.36

**DESIGN STRESSES**

**FIELD UNITS**

f'c = 3,500 psi  
fy = 60,000 psi (Reinforcement)

**LOADING HL-93**

Allow 50#/sq. ft. for future wearing surface.

**SINGLE PIPE CULVERT**

**DROP BOX**

FILE NAME = sht-detail.s.dgn	USER NAME = mendezpj	DESIGNED -	REVISED -
		DRAWN -	REVISED -
		CHECKED -	REVISED -
		DATE -	REVISED -

**STATE OF ILLINOIS  
DEPARTMENT OF TRANSPORTATION**

**DROP BOX DETAIL  
RT. STA. 423 + 59.49**

SCALE: SHEET NO. OF SHEETS STA. TO STA.

F.A.P. RTE. 685	SECTION	COUNTY	TOTAL SHEETS 329	SHEET NO. 141
			CONTRACT NO. 68599	
ILLINOIS FED. AID PROJECT				