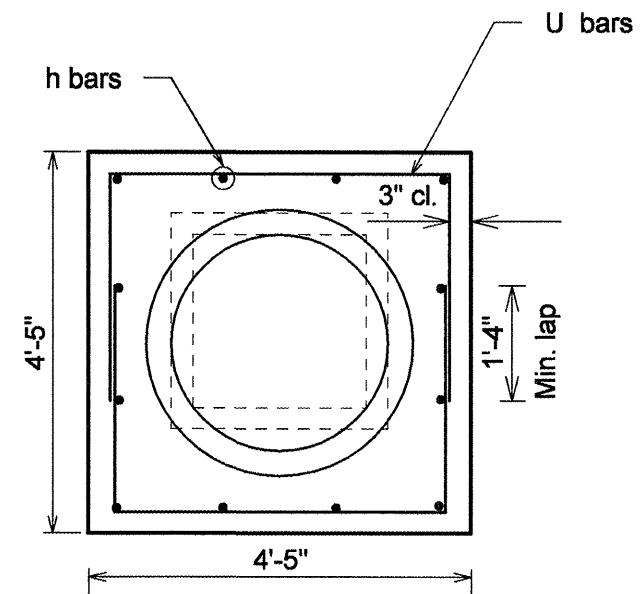
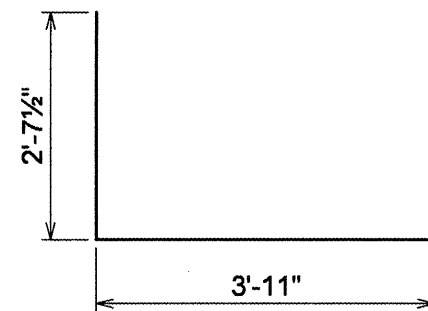


ELEVATION VIEW OF CONCRETE COLLAR
NOT TO SCALE



FRONT VIEW OF CONCRETE COLLAR
NOT TO SCALE



#4 U bar 6 required per collar
NOT TO SCALE

BILL OF MATERIALS FOR CONCRETE COLLAR				
BAR	SIZE	NO.	LENGTH	SHAPE
h	#4	12	1'-2"	—
U	#4	6	9'-2"	U
DESCRIPTION		UNIT	QTY	
* Concrete Collar		CU YD	0.78	
* Reinforcement Bars		LB	46.09	

* For Information Only

NOTES:

The collar shall be constructed entirely of CLASS SI CONCRETE and in accordance with the applicable portions of section 503 of the Standard Specifications. Reinforcement Bars shall conform to section 508.

FILE NAME = sht-details.dgn	USER NAME = mendezpj	DESIGNED -	REVISED -
		DRAWN -	REVISED -
		CHECKED -	REVISED -
		DATE -	REVISED -

**STATE OF ILLINOIS
DEPARTMENT OF TRANSPORTATION**

**CONCRETE COLLAR DETAIL
LT. STA. 432 + 58.33**

SCALE: SHEET NO. OF SHEETS STA. TO STA.

F.A.P. RTE. 685	SECTION **	COUNTY *	TOTAL SHEETS 329	SHEET NO. 143
			CONTRACT NO. 68599	
ILLINOIS FED. AID PROJECT				