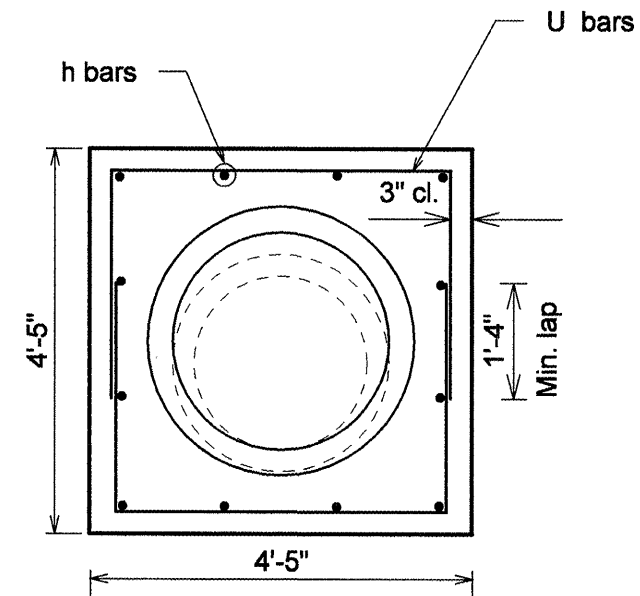
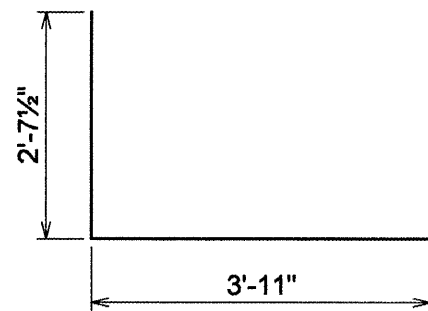


**ELEVATION VIEW OF CONCRETE COLLAR**  
NOT TO SCALE



**FRONT VIEW OF CONCRETE COLLAR**  
NOT TO SCALE



**#4 U bar 6 required per collar**  
NOT TO SCALE

BILL OF MATERIALS FOR CONCRETE COLLAR				
BAR	SIZE	NO.	LENGTH	SHAPE
h	#4	12	1'-2"	—
U	#4	6	9'-2"	⌊
DESCRIPTION		UNIT	QTY	
* Concrete Collar		CU YD	0.82	
* Reinforcement Bars		LB	46.09	

\* For Information Only

**NOTES:**

The collar shall be constructed entirely of CLASS SI CONCRETE and in accordance with the applicable portions of section 503 of the Standard Specifications. Reinforcement Bars shall conform to section 508.