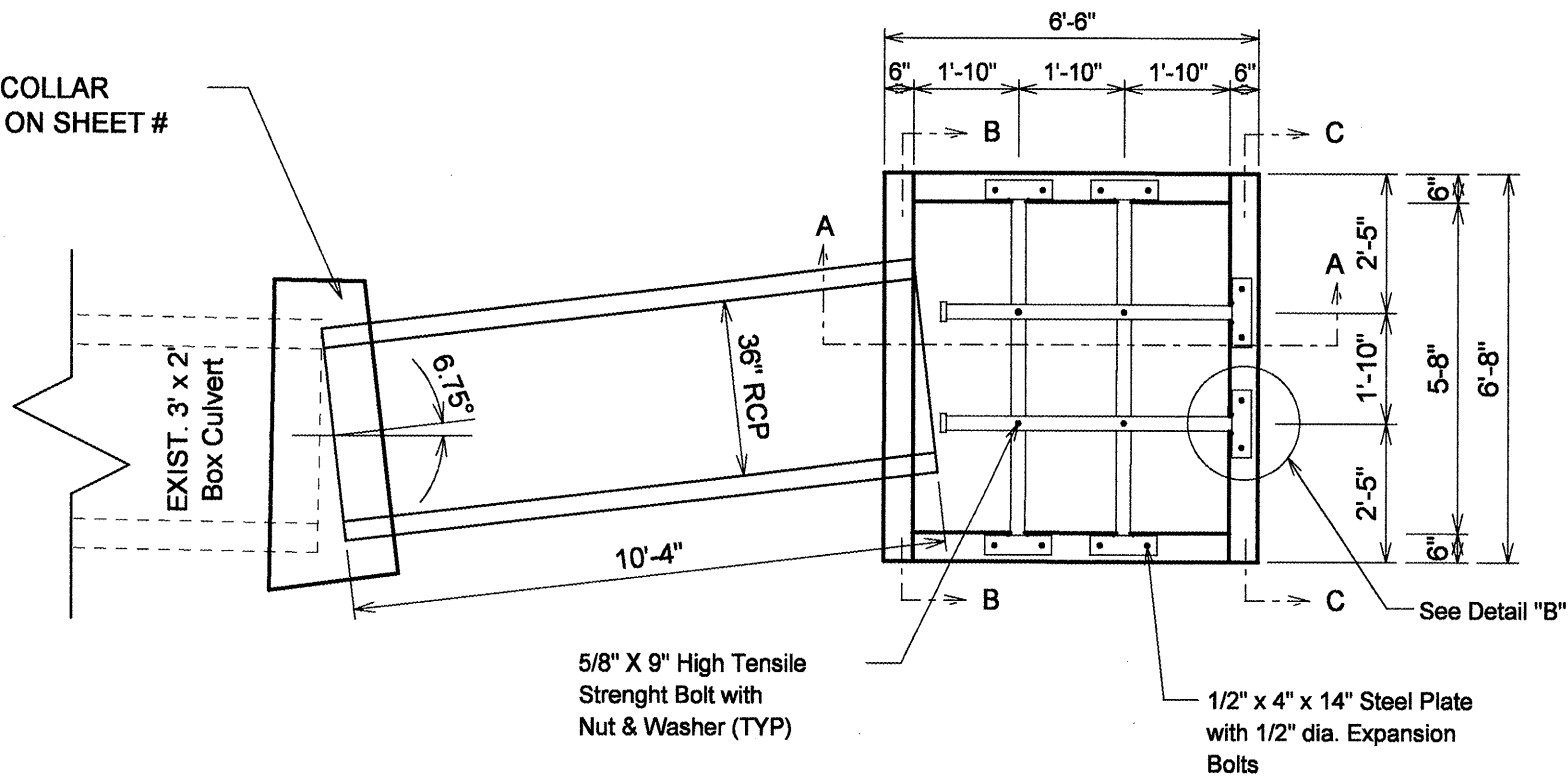
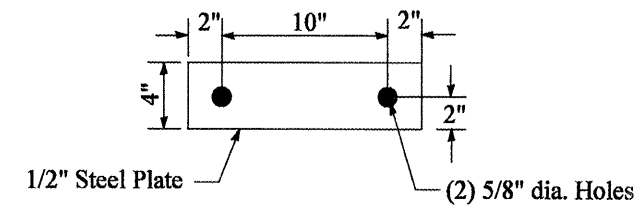


CONCRETE COLLAR
SEE DETAIL ON SHEET #



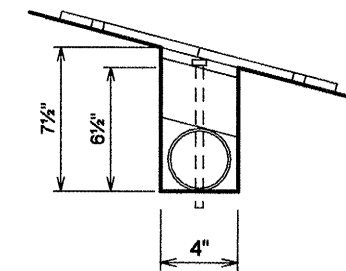
PLAN SHOWING OUTLINES

NOT TO SCALE



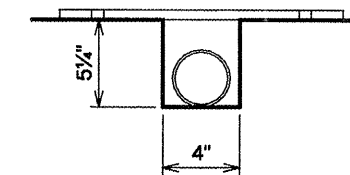
TOP ANCHOR PLATE

NOT TO SCALE



DETAIL "A"

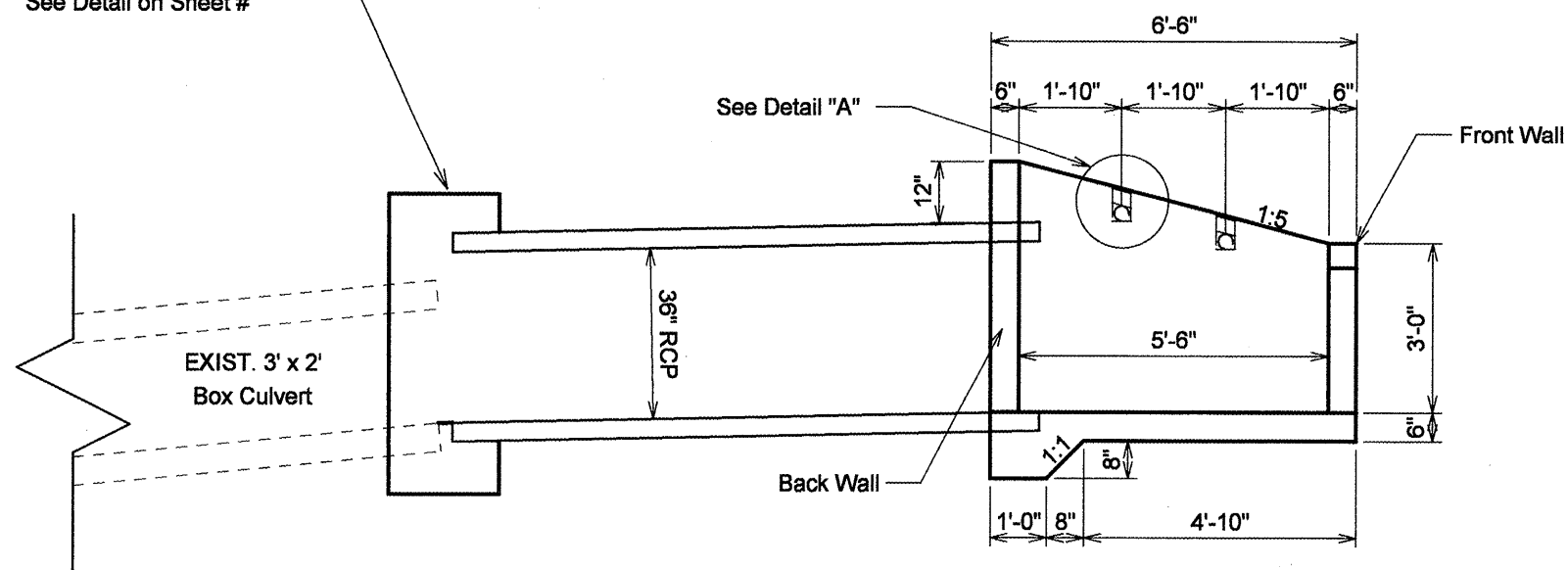
NOT TO SCALE



DETAIL "B"

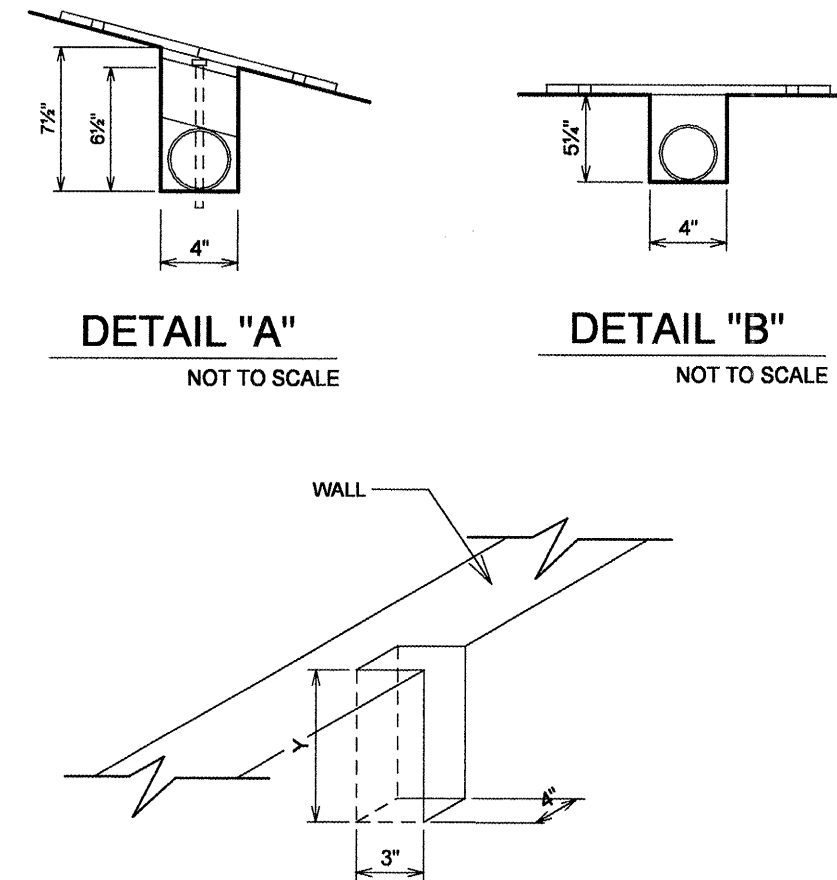
NOT TO SCALE

Concrete Collar
See Detail on Sheet #



ELEVATION VIEW

NOT TO SCALE



NOTE:
FOR "Y" DIMENSION SEE DETAIL "A" OR "B"

POCKET DETAIL

NOT TO SCALE

FILE NAME = sht-details.dgn	USER NAME = mendejpj	DESIGNED -	REVISED -
		DRAWN -	REVISED -
		CHECKED -	REVISED -
		DATE -	REVISED -

STATE OF ILLINOIS
DEPARTMENT OF TRANSPORTATION

DROP BOX DETAIL
RT. STA. 447 + 89.94

F.A.P. RTE. 685	SECTION ..	COUNTY ..	TOTAL SHEETS 329	SHEET NO. 145
CONTRACT NO. 68599			ILLINOIS FED. AID PROJECT	

SCALE: SHEET NO. OF SHEETS STA. TO STA.