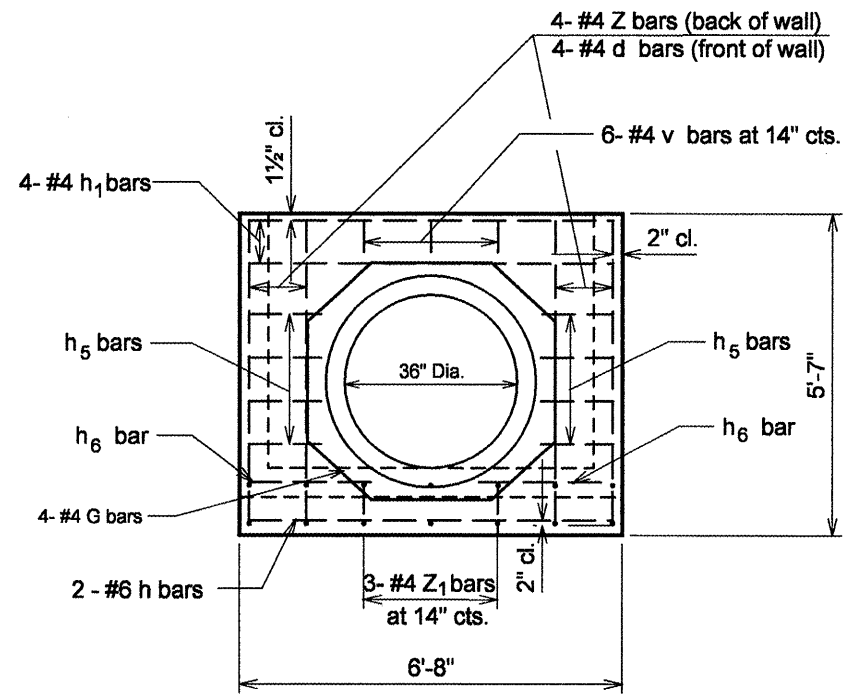


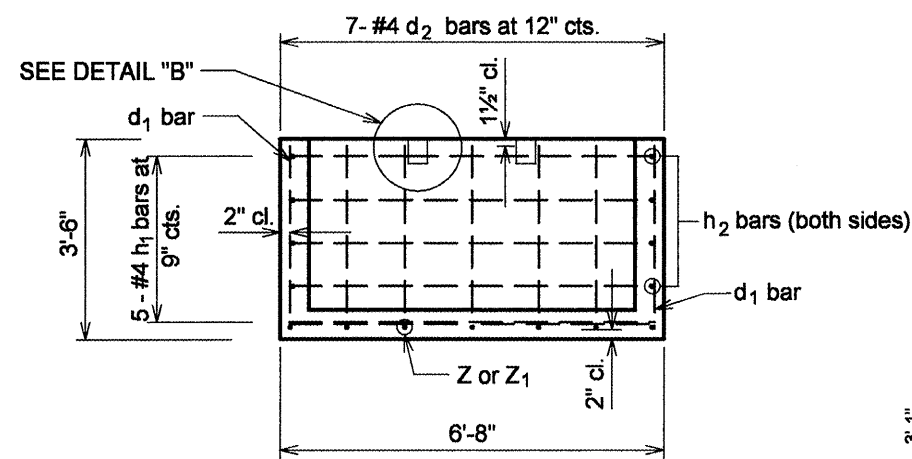
SECTION A-A

NOT TO SCALE



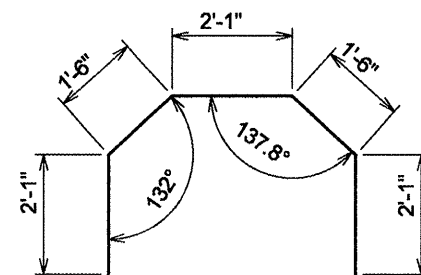
SECTION B-B

NOT TO SCALE



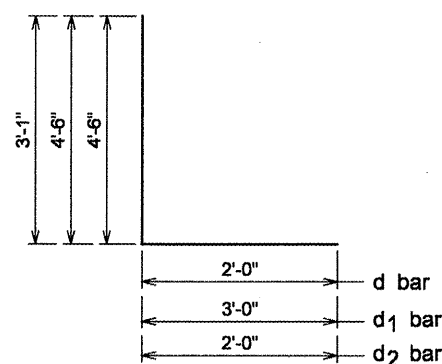
SECTION C-C

NOT TO SCALE



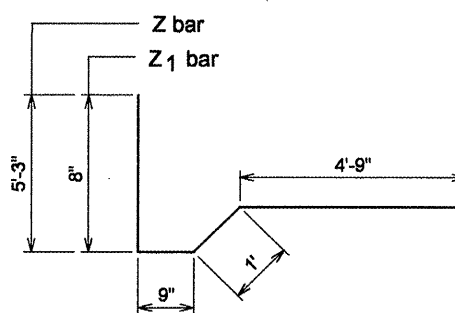
"G" bar

NOT TO SCALE



d, d1 & d2 bars

NOT TO SCALE



Z & Z1 bars

NOT TO SCALE

BILL OF MATERIALS FOR DROP BOX				
BAR	SIZE	NO.	LENGTH	SHAPE
h	#6	2	6'-4"	————
h1	#4	9	6'-4"	————
h2	#4	8	6'-2"	————
h3	#4	2	1'-9"	————
h4	#4	2	5'-11"	————
h5	#4	16	1'-3"	————
h6	#4	4	2'-4"	————
G	#4	4	9'-3"	⌒
d	#4	4	6'-6"	└┘
d1	#4	12	7'-6"	└┘
d2	#4	7	5'-1"	└┘
V	#4	6	0'-9"	————
Z	#4	4	11'-9"	└┘└┘
Z1	#4	3	7'-2"	└┘└┘
DESCRIPTION		UNIT	QTY	
Concrete Box Culvert		CU YD	2.5	
Reinforcement Bars		LB	294.63	

BILL OF MATERIALS - GRATING FOR DROP BOX		
ITEMS	UNITS	QTY.
3" DIA. GALV. STEEL PIPE	EACH	2 - 6'-2"
1/2" x 4" x 14" GALV. ANCHOR PLATE	EACH	2 - 5'-3 1/4"
1/2" x 4" x 14" GALV. ANCHOR PLATE	EACH	6
5/8" x 9" GALV. BOLTS	EACH	4
GALV. STEEL PIPE CAPS	EACH	8
1/2" DIA. GALV. EXPANSION BOLTS	EACH	12

GENERAL NOTES:

STEEL PIPES SHALL COMFORM TO ASTM A-500 GRADE B, AND SHALL BE GALVANIZED COMFORMING TO ASTM A-123.

STEEL PLATES SHALL COMFORM TO ASTM A-709 GRADE 250 & SHALL BE GALVANIZED COMFORMING TO ASTM A-123.

BOLTS, NUTS & WASHERS SHALL BE IN ACCORDANCE WITH ARTICLE 1006.08 OF THE STANDARD SPECIFICATIONS AND SHALL BE GALVANIZED.

THE CONTRACT UNIT PRICE "EACH" FOR GRATING FOR DROP BOX. SHALL INCLUDE EXPANSION BOLTS, GALVANIZED STEEL PIPES, BOLTS, NUTS, WASHERS, PIPE CAPS, 7" DIA. x 1/4" GALVANIZED PLATES AND ANCHOR PLATES.

FILE NAME = shd-details.dgn	USER NAME = mendejpj	DESIGNED -	REVISED -
		DRAWN -	REVISED -
	PLOT SCALE = 100.0000 / IN.	CHECKED -	REVISED -
	PLOT DATE = 3/25/2011	DATE -	REVISED -

**STATE OF ILLINOIS
DEPARTMENT OF TRANSPORTATION**

**DROP BOX DETAIL
RT. STA. 447 + 89.94**

F.A.P. RTE. 685	SECTION ..	COUNTY ..	TOTAL SHEETS 329	SHEET NO. 146
CONTRACT NO. 68599			ILLINOIS FED. AID PROJECT	

SCALE: SHEET NO. OF SHEETS STA. TO STA.