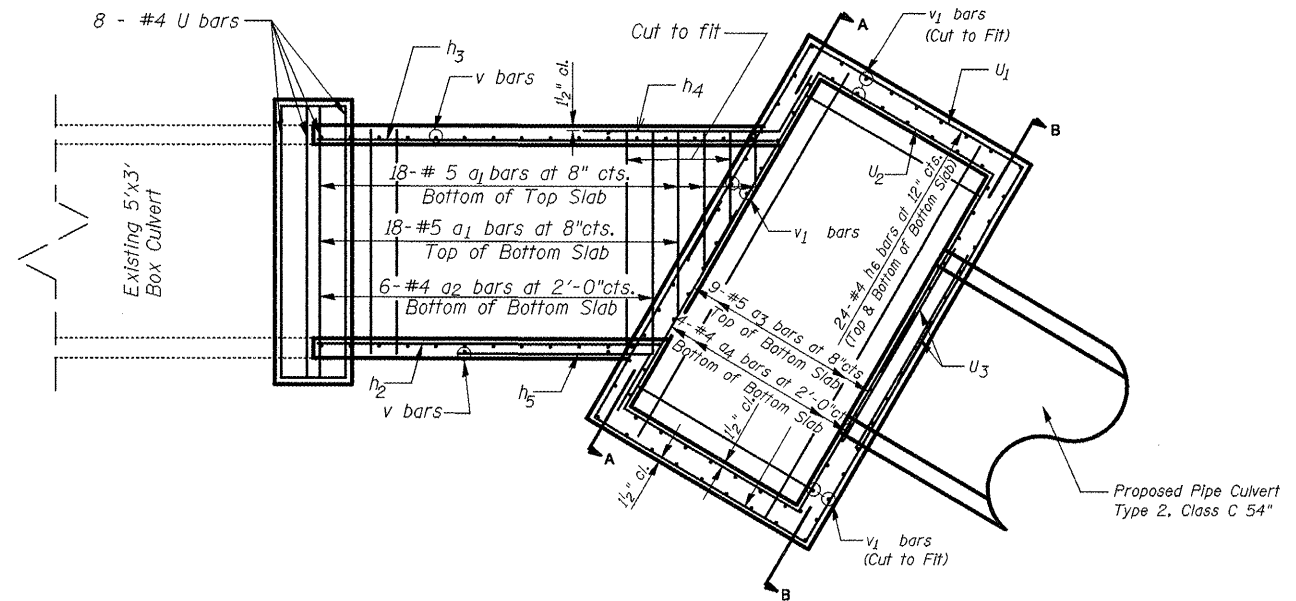


**PLAN SHOWING OUTLINES**

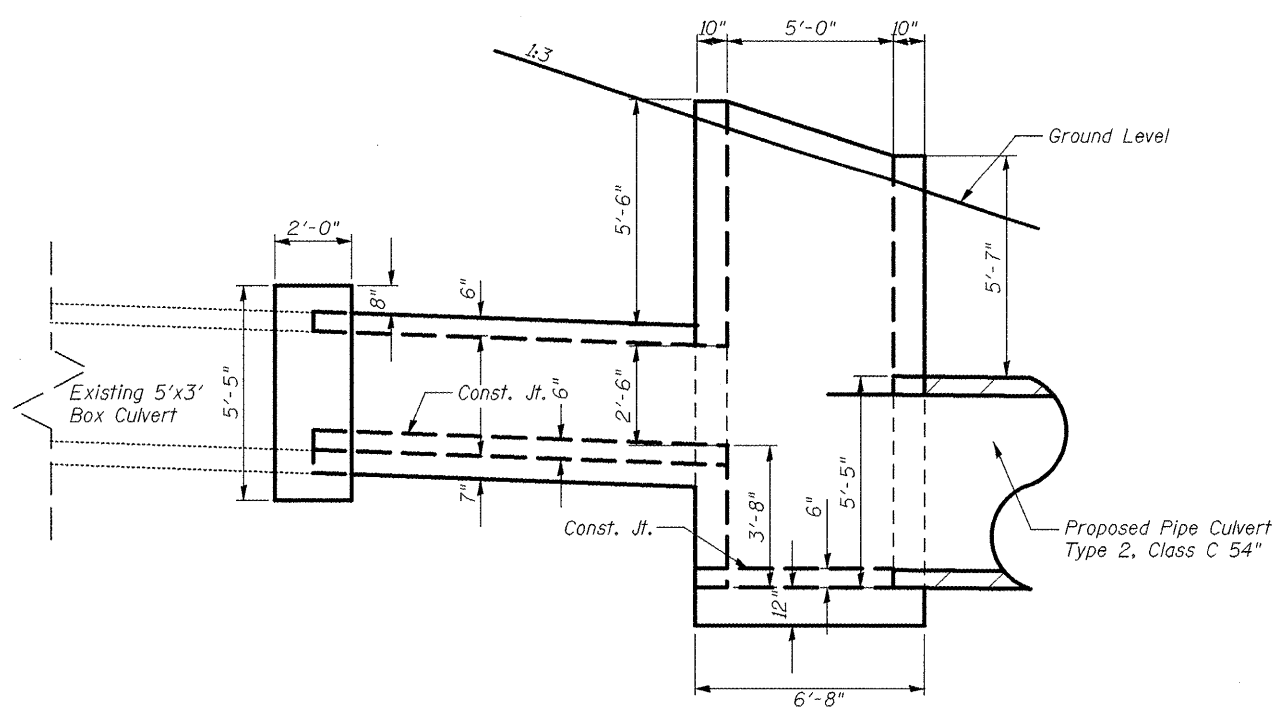
NOT TO SCALE

MIN. LAPS	
Bar Size	Box Ext.
#4	1'-4"
#5	1'-8"



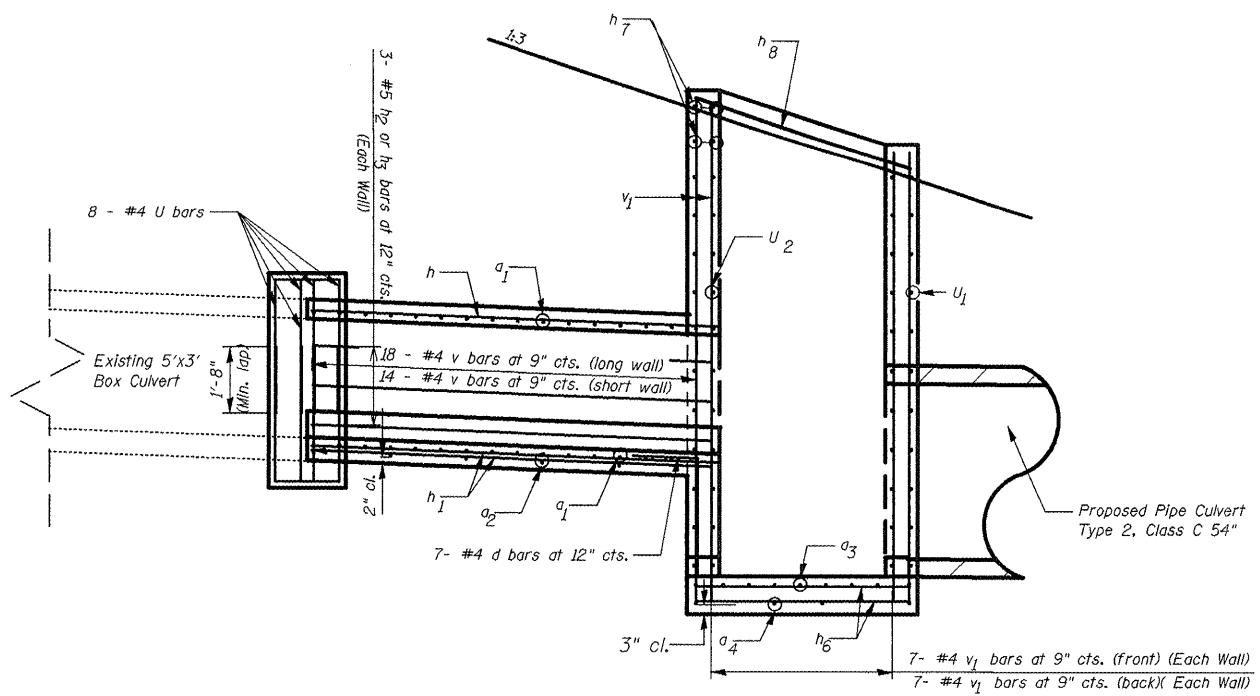
**ELEVATION SHOWING REINFORCEMENT**

NOT TO SCALE



**ELEVATION**

NOT TO SCALE



**ELEVATION SHOWING REINFORCEMENT**

NOT TO SCALE

FILE NAME = sht-details.dgn	USER NAME = mendezpj	DESIGNED -	REVISED -
		DRAWN -	REVISED -
PLDT SCALE = 100.0000' / IN.		CHECKED -	REVISED -
PLDT DATE = 3/25/2011		DATE -	REVISED -

**STATE OF ILLINOIS  
DEPARTMENT OF TRANSPORTATION**

<b>BOX CULVERT EXTENSION &amp; DROP BOX DETAIL</b>			
RT. STA. 534 + 29.26			
SCALE:	SHEET NO.	OF SHEETS	STA. TO STA.

F.A.P. RTE. 685	SECTION **	COUNTY *	TOTAL SHEETS 329	SHEET NO. 148
			CONTRACT NO. 68599	
ILLINOIS FED. AID PROJECT				