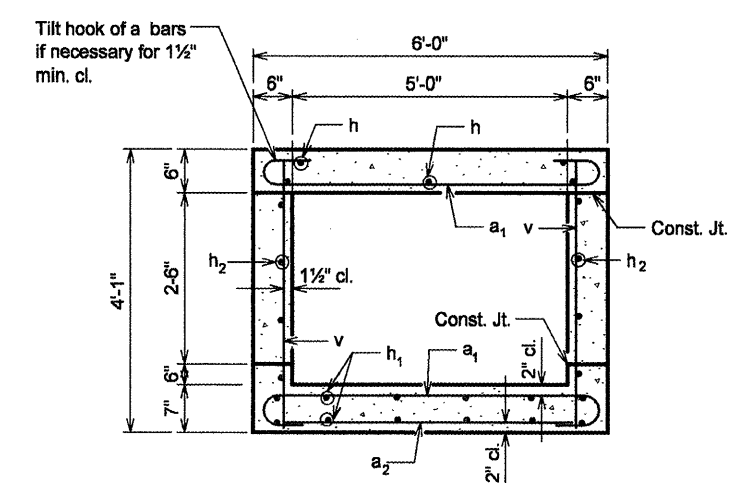
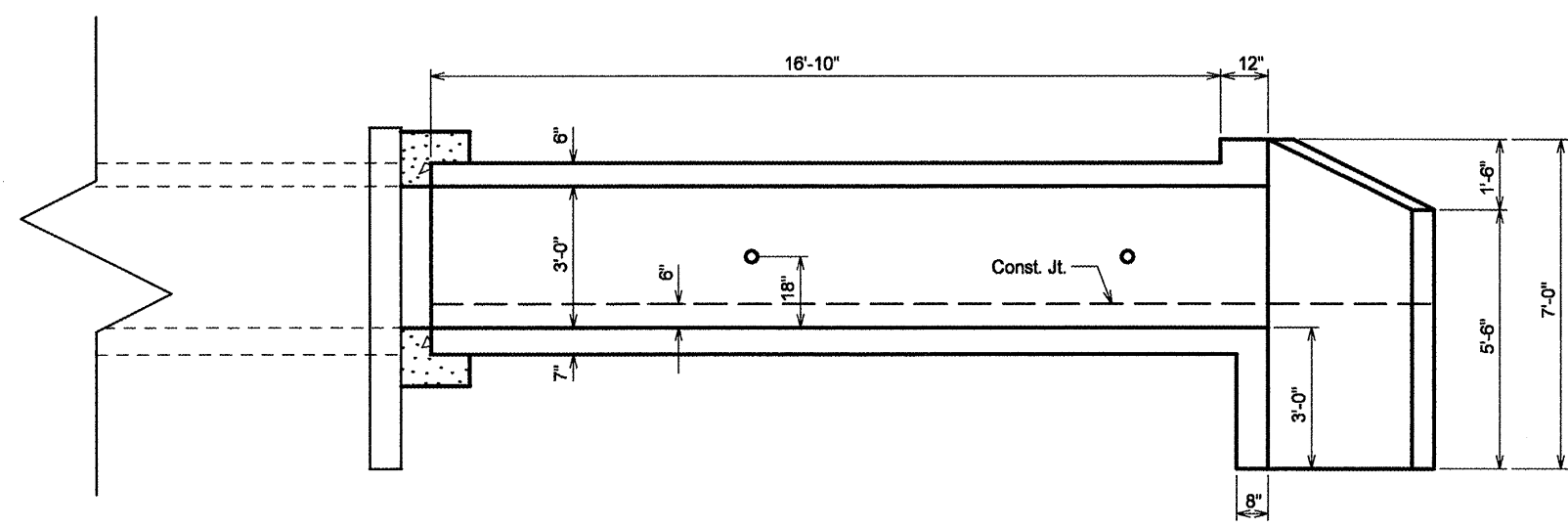


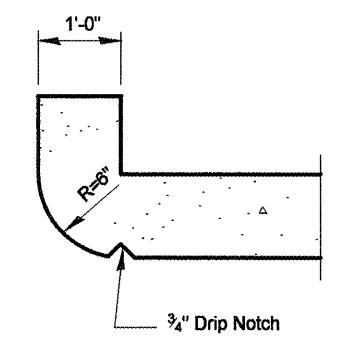
LEFT SIDE PLAN VIEW
NOT TO SCALE



SECTION THRU BARREL
NOT TO SCALE



LEFT SIDE ELEVATION VIEW
NOT TO SCALE



Section thru headwall
(Up Stream End Only)

FILE NAME = sht-details.dgn	USER NAME = mendezpj	DESIGNED -	REVISED -	STATE OF ILLINOIS DEPARTMENT OF TRANSPORTATION	BOX CULVERT EXTENSION DETAIL LT. STA. 534 + 29.26		F.A.P. RTE. 685	SECTION **	COUNTY *	TOTAL SHEETS 329	SHEET NO. 151	
	PLOT SCALE = 100.0000' / IN.	DRAWN -	REVISED -		SCALE:	SHEET NO. OF SHEETS	STA. TO STA.	CONTRACT NO. 68599				
	PLOT DATE = 3/25/2011	CHECKED -	REVISED -		ILLINOIS FED. AID PROJECT							
		DATE -	REVISED -		(37,38)RS-3,39RS-5(138)1 • Fulton, McDonough							