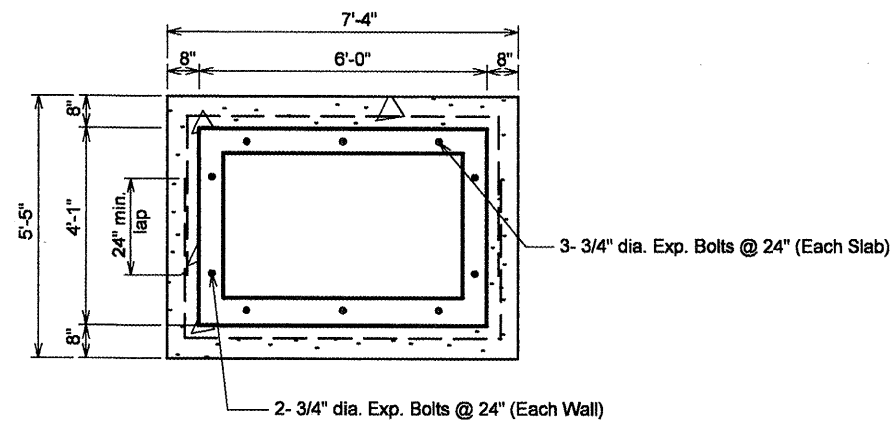


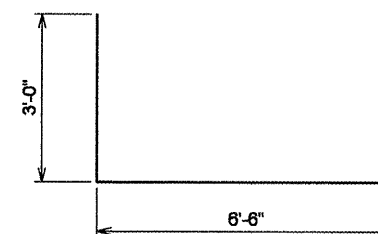
TOP VIEW OF CONCRETE COLLAR

NOT TO SCALE



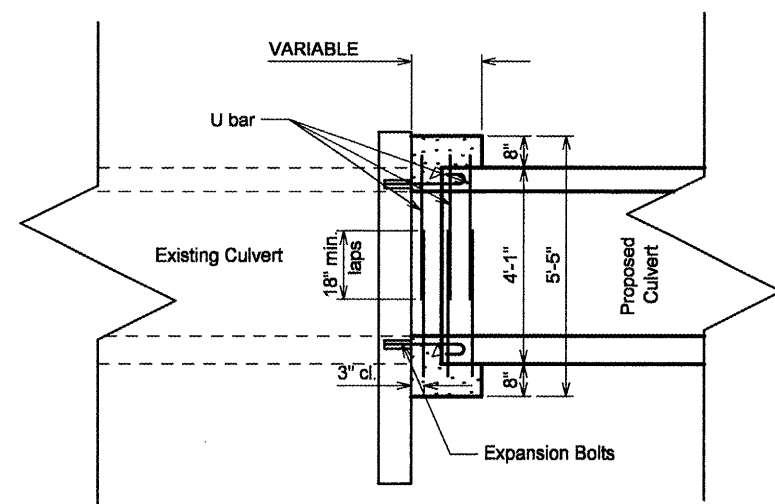
DETAIL OF CONCRETE COLLAR

NOT TO SCALE



#4 U bar 6 required per collar

NOT TO SCALE



ELEVATION VIEW OF CONCRETE COLLAR

NOT TO SCALE

NOTES:

The collar shall be constructed entirely of CLASS SI CONCRETE and in accordance with the applicable portions of section 503 of the Standard Specifications. Reinforcement Bars shall conform to section 508.

Expansion bolts shall consist of approved expansions anchors, and 3/4" hook bolts which conform to Section 1006.09. These bolts shall extend at least 8" into the new concrete.

FILE NAME = sht-details.dgn	USER NAME = mendezpj	DESIGNED -	REVISED -
		DRAWN -	REVISED -
	PLOT SCALE = 100.0000' / IN.	CHECKED -	REVISED -
	PLOT DATE = 3/25/2011	DATE -	REVISED -

**STATE OF ILLINOIS
DEPARTMENT OF TRANSPORTATION**

**BOX CULVERT EXTENSION DETAIL
LT. STA. 534 + 29.26**

F.A.P. RTE. 685	SECTION **	COUNTY *	TOTAL SHEETS 329	SHEET NO. 153
			CONTRACT NO. 68599	

SCALE: SHEET NO. OF SHEETS STA. TO STA.