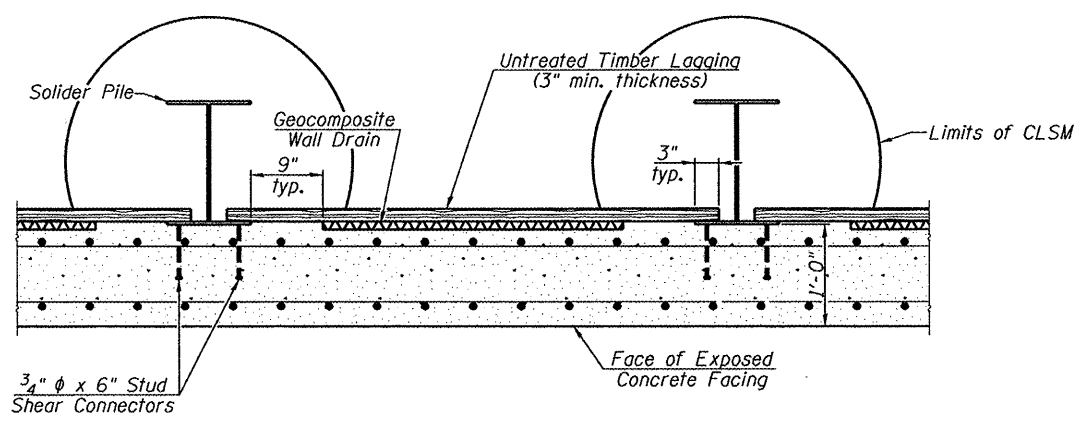
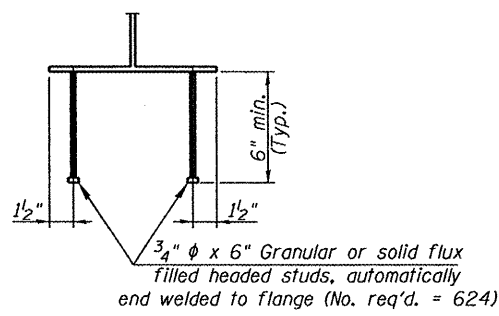


TYPICAL RETAINING WALL SECTION
(Looking East)

30"φ - W24x68
36"φ - W27x84
36"φ - W30x116

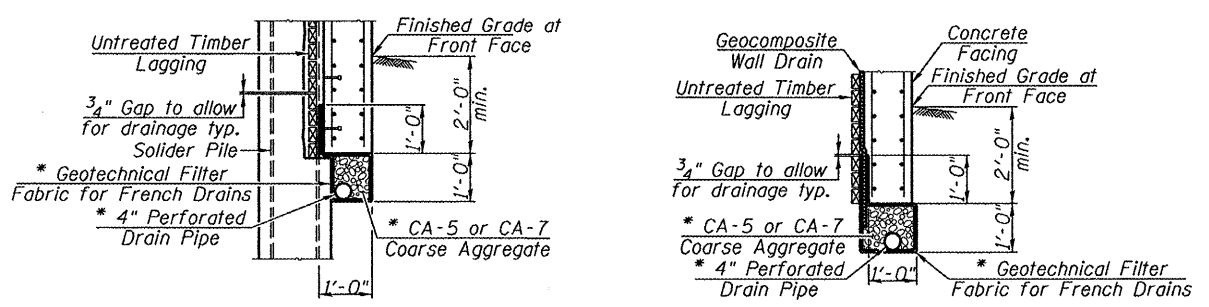


SECTION A-A



SECTION B-B

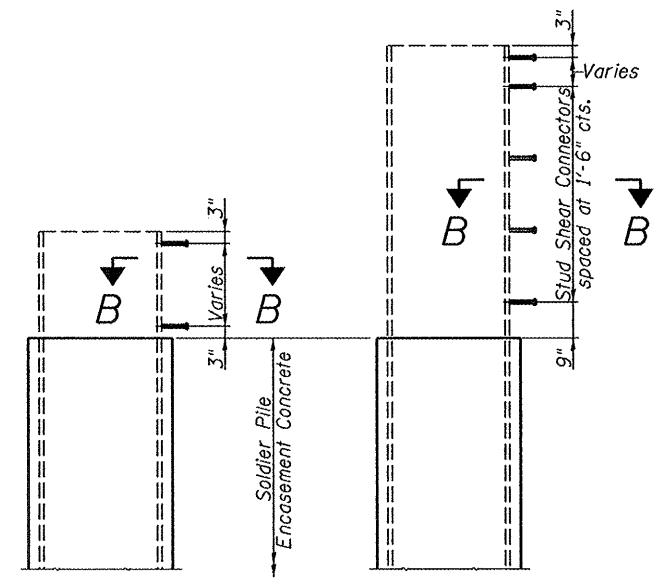
Note: See sheet 3 of 12 for the number of stud shear connectors for each pile.



AT SOLDIER PILES **BETWEEN SOLDIER PILES**

UNDERDRAIN DETAILS

* Cost included with Pipe Underdrains for Structures 4".



PILES P1, P2, P52, P53 & P54 **PILES P3 THRU P51**

STUD SHEAR CONNECTOR SPACING DETAILS

| | | | | | | | | | | |
|--------------|-------------|------------|--------------------|--|--|---------------------------|------------------------------|---------------|------------------|---------------|
| FILE NAME = | USER NAME = | DESIGNED - | REVISED - | Allen Henderson & Associates, Inc. Civil and Structural Engineers Springfield, IL 62703 Phone: (217)544-8033 IL Design Firm No. 184-001907 | TYPICAL SECTIONS STRUCTURE NO. 029-8505 SHEET NO. 4 OF 12 SHEETS | F.A.P. RTE. 685 | SECTION (37,38) RS-3, 39RS-5 | COUNTY FULTON | TOTAL SHEETS 329 | SHEET NO. 110 |
| PLOT SCALE = | DRAWN - | REVISED - | CONTRACT NO. 68599 | | | ILLINOIS FED. AID PROJECT | | | | |
| PLOT DATE = | CHECKED - | REVISED - | | | | | | | | |
| | | | | | | | | | | |