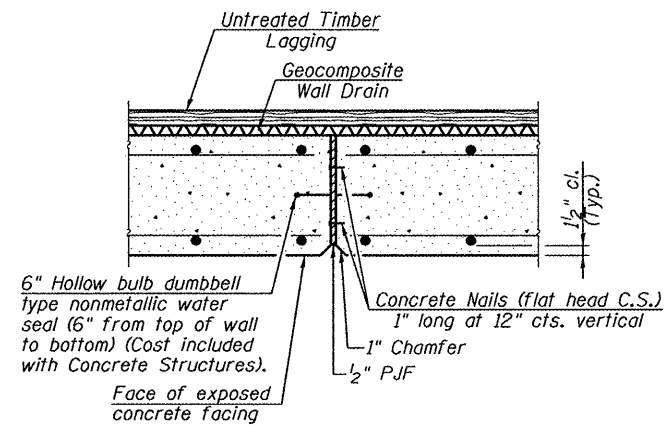
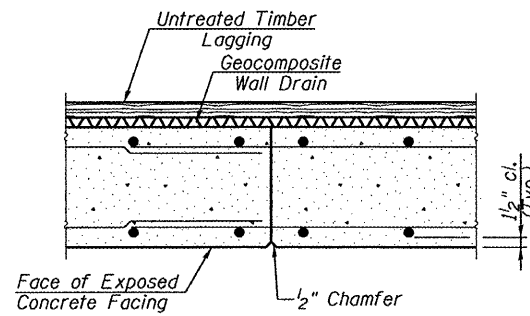


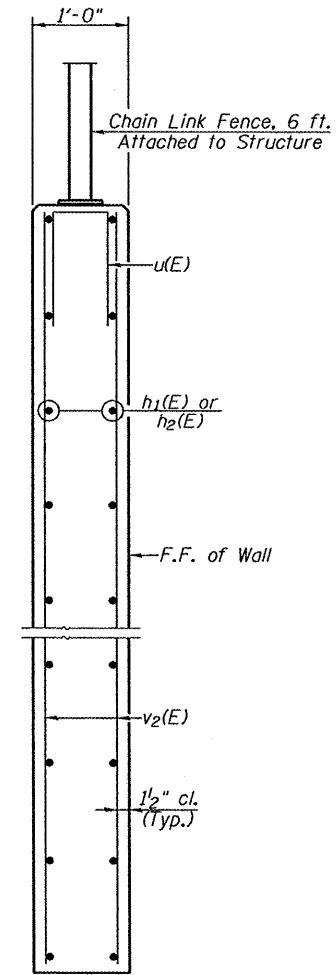
ELEVATION
(Looking North)



WALL EXPANSION JOINT



WALL CONSTRUCTION JOINT



SECTION THRU CONCRETE FACING
(Looking East)

MIN. BAR LAPS
#4 bar = 2'-0"
#5 bar = 3'-3"

Notes: Bars indicated thus 30 x 2-#4 etc. indicates 30 lines of bars with 2 lengths per line.
See Sheet 9 of 12 for Bill of Material and u(E) bar details.
See Sheet 10 of 12 for Fence Details and Post Spacing.

FILE NAME =	USER NAME =	DESIGNED -	REVISED -	<p>Allen Henderson & Associates, Inc. Civil and Structural Engineers Springfield, IL 62703 Phone: (217)544-8033 IL Design Firm No. 184-001907</p>	<p>CONCRETE FACING SECTION STRUCTURE NO. 029-8505</p>	F.A.P. RTE.	SECTION	COUNTY	TOTAL SHEETS	SHEET NO.	
		CHECKED -	REVISED -			685	(37,38) RS-3, 39RS-5	FULTON	329	163	
PLOT SCALE =		DRAWN -	REVISED -			CONTRACT NO. 68599					
PLOT DATE =		CHECKED -	REVISED -			ILLINOIS FED. AID PROJECT					
					SHEET NO. 7 OF 12 SHEETS						