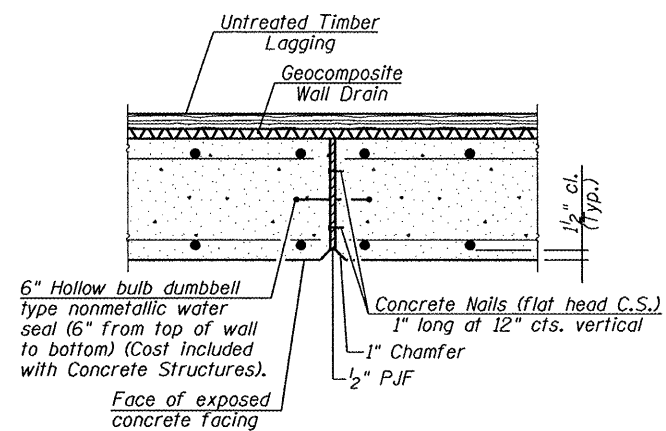


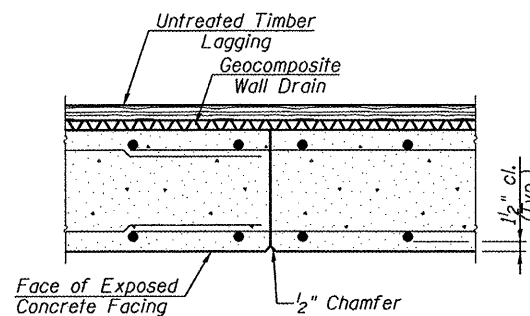
ELEVATION
(Looking North)

BILL OF MATERIAL

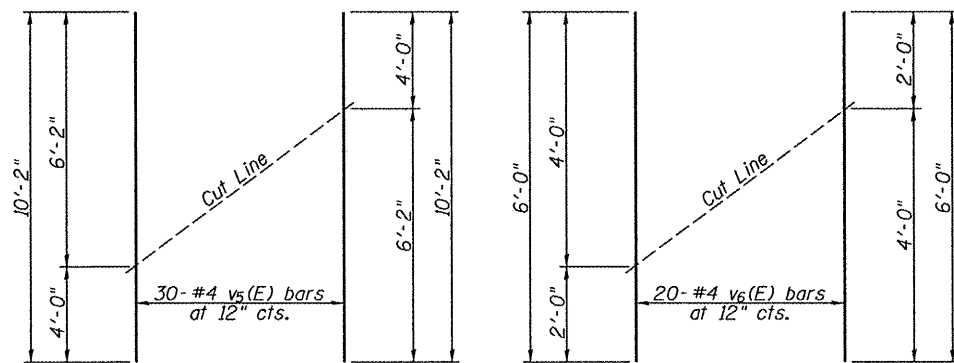
Bar	No.	Size	Length	Shape
h(E)	16	#5	23'-9"	—
h ₁ (E)	194	#5	33'-9"	—
h ₂ (E)	126	#5	29'-8"	—
h ₃ (E)	12	#5	19'-8"	—
u(E)	112	#4	4'-9"	□
v(E)	20	#4	7'-4"	—
v ₁ (E)	30	#4	15'-6"	—
v ₂ (E)	840	#4	7'-0"	—
v ₃ (E)	240	#4	6'-0"	—
v ₄ (E)	30	#4	14'-5"	—
v ₅ (E)	30	#4	10'-2"	—
v ₆ (E)	20	#4	6'-0"	—
Concrete Structures			Cu. Yd.	139.5
Reinforcement Bars, Epoxy Coated			Pound	17,600



WALL EXPANSION JOINT



WALL CONSTRUCTION JOINT

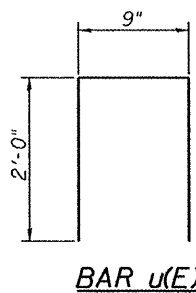


BAR v₅(E)

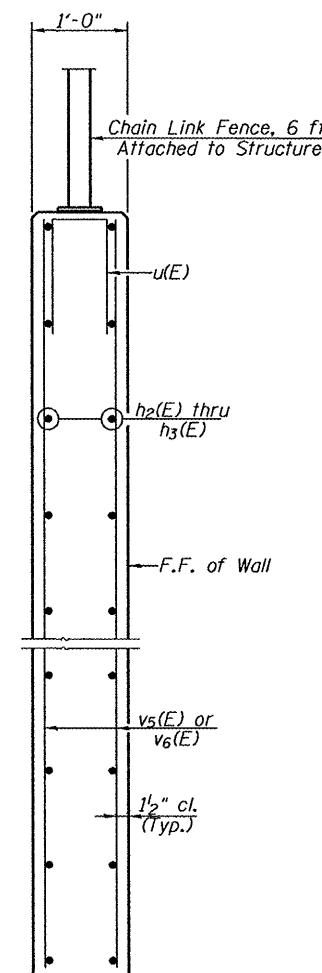
BAR v₆(E)

FIELD CUTTING DIAGRAMS

Order v₅(E) & v₆(E) bars full length. Cut as shown and use remainder of bars in opposite face.



BAR u(E)



SECTION THRU CONCRETE FACING
(Looking East)

MIN. BAR LAPS

#4 bar = 2'-0"
#5 bar = 3'-3"

Notes: Bars indicated thus 30 x 2-#4 etc. indicates 30 lines of bars with 2 lengths per line. See Sheet 10 of 12 for Fence Details and Post Spacing.