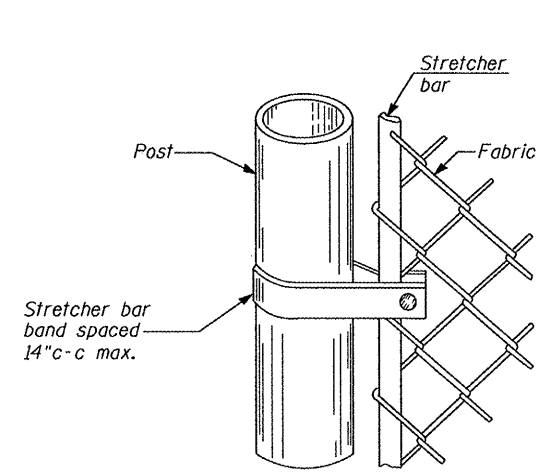
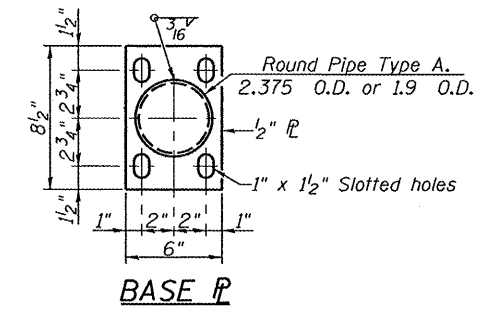
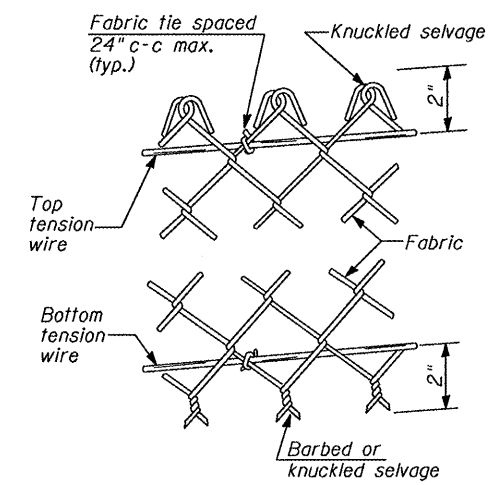


ANCHOR BOLT DETAILS

In lieu of the cast-in-place anchor device shown, the Contractor has the option of drilling and setting anchor rods according to Article 509.06 of the Standard Specifications. Embedment shall be according to the manufacturer's specifications.



METHOD OF FASTENING STRETCHER BAR TO POST



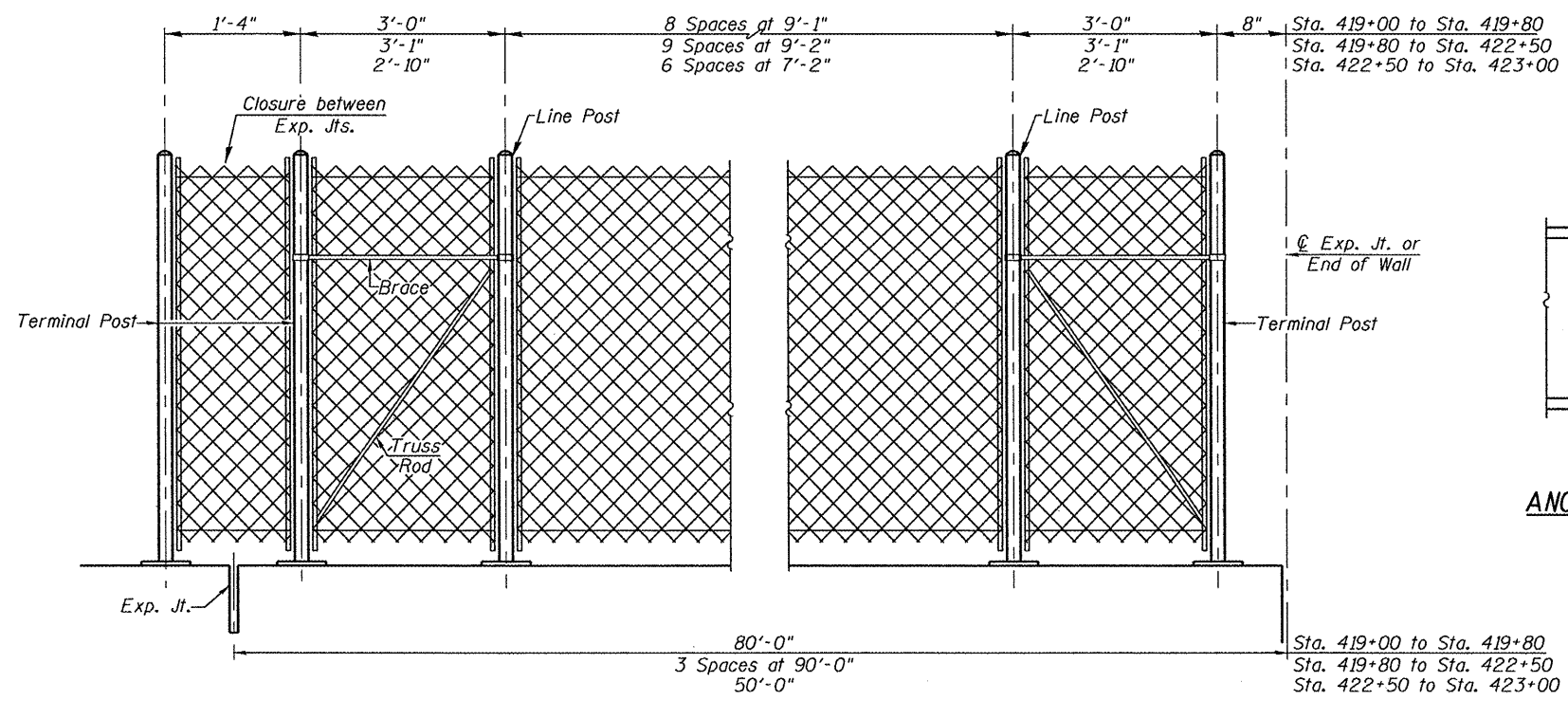
METHOD OF TYING FABRIC TO TENSION WIRES

LINE POST	
Section	lbs./ft.
Pipe Type A 1.90 O.D.	2.72

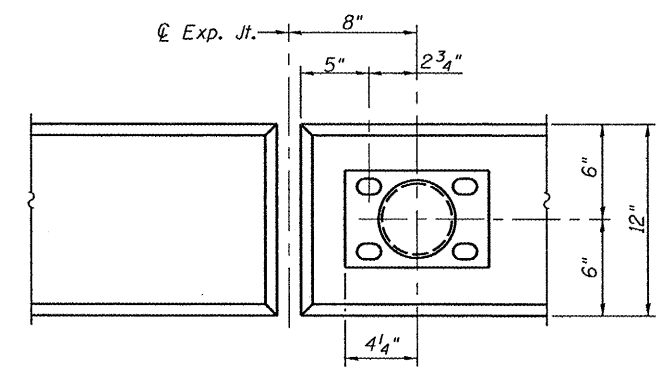
TERMINAL POST	
Section	lbs./ft.
Pipe Type A 2.375 O.D.	3.65

HORIZONTAL BRACES	
Section	lbs./ft.
Pipe Type A 1.66 O.D.	2.27
Pipe Type B 1.66 O.D.	1.83

- NOTES**
1. Posts, chain link fence and attaching hardware shall be according to Section 1006 of the Standard Specifications, except as noted and shall be paid for at the contract unit price per foot for Chain Link Fence (Attached to Structure).
 2. The 9 gauge fabric ties shall be according to Article 1006.27(d) of the Standard Specifications.
 3. Installation of the chain link fabric shall be according to Section 664 of the Standard Specifications.
 4. Stretcher bars shall be used at all end posts.
 5. All other steel shapes and plates shall conform to the requirements of AASHTO M 270M Grade 36.
 6. The chain link fabric shall be placed along the west side of all posts.
 7. If the option of drilling and epoxy grouting the anchor rods is chosen, the Contractor shall use the capsule or the adhesive cartridge type anchor rods that have been previously tested and given a prior approval by the Department. The Contractor shall install these anchor rods in pre-drilled holes according to the manufacturer's recommendations and procedures. The capsule or the adhesive cartridge shall be sealed with premeasured amounts of the adhesive chemical.
 8. Space reinforcement to miss anchor rods.
 9. All steel rail elements shall be galvanized according to Article 509.05 of the Standard Specifications.
 10. Vent holes for galvanizing shall be placed in the posts and rails at locations that will not allow the accumulation of moisture in the members.
 11. The chain link fabric shall conform to the requirements of Article 1006.27(a)(1)a, b or c of the Standard Specifications.



TYPICAL CHAIN LINK FENCE BETWEEN EXPANSION JOINTS



ANCHOR PLATE PLAN @ EXPANSION JOINT

Item	Unit	Quantity
Chain Link Fence 6' Attached to Structure	Foot	400