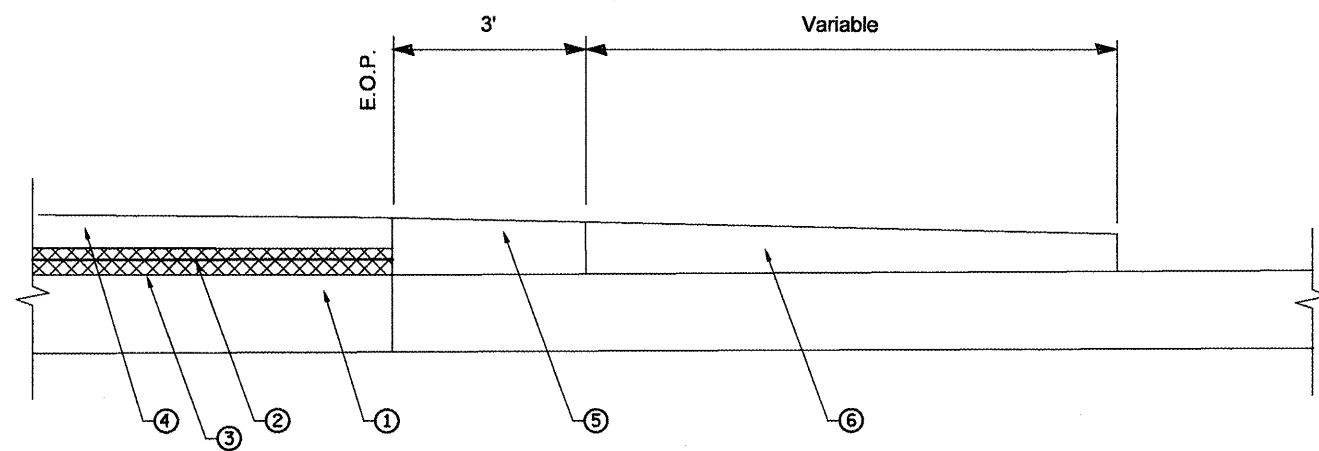
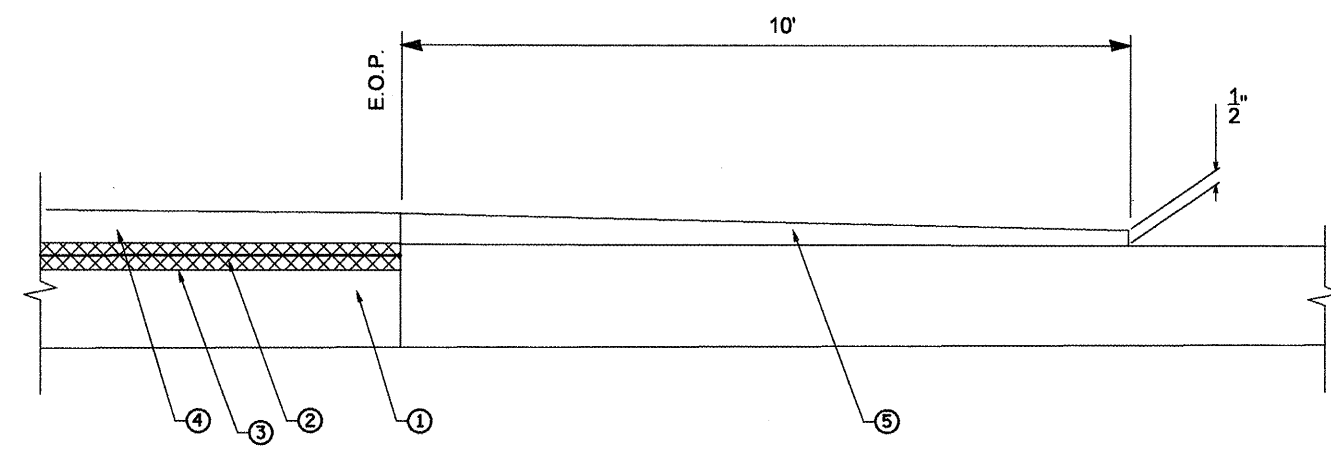


SIDEROADS



FIELD ENTRANCES



PRIVATE & COMMERCIAL ENTRANCES

LEGEND

- ① Existing Pavement
- ② Proposed H.M.A. Surface Removal, 1 1/2"
- ③ Proposed Poly. Leveling Binder, 3/4"
- ④ Proposed H.M.A. Surface Course, 1 1/2"
- ⑤ Incidental H.M.A. Surfacing, 2 1/4"
- ⑥ Aggregate Surface Course, Type B, 6"

Incidental H.M.A. Surfacing

FILE NAME = sht-pmk.dgn	USER NAME = mendezpj	DESIGNED -	REVISED -
	PLOT SCALE = 100.0000' / IN.	DRAWN -	REVISED -
	PLOT DATE = 3/25/2011	CHECKED -	REVISED -
		DATE -	REVISED -

STATE OF ILLINOIS
DEPARTMENT OF TRANSPORTATION

SIDE ROADS & DRIVEWAY DETAILS

SCALE: SHEET NO. OF SHEETS STA. TO STA.

F.A.P. RTE.	SECTION	COUNTY	TOTAL SHEETS	SHEET NO.
685	**	*	329	172
CONTRACT NO. 68599			ILLINOIS FED. AID PROJECT	