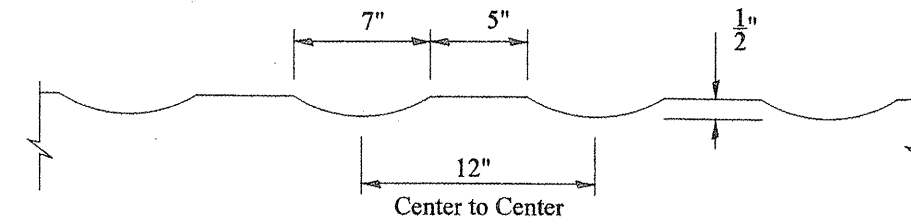
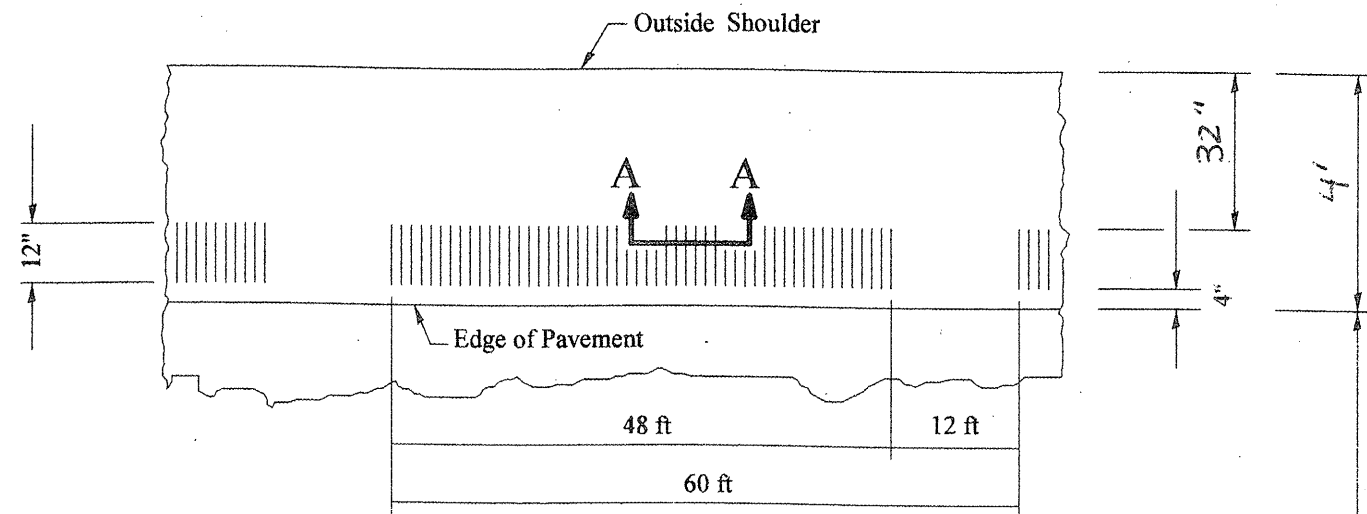
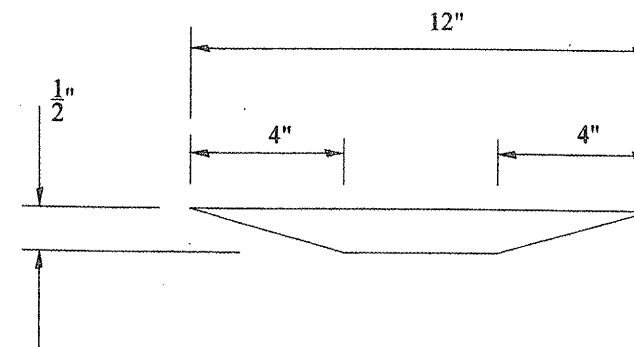
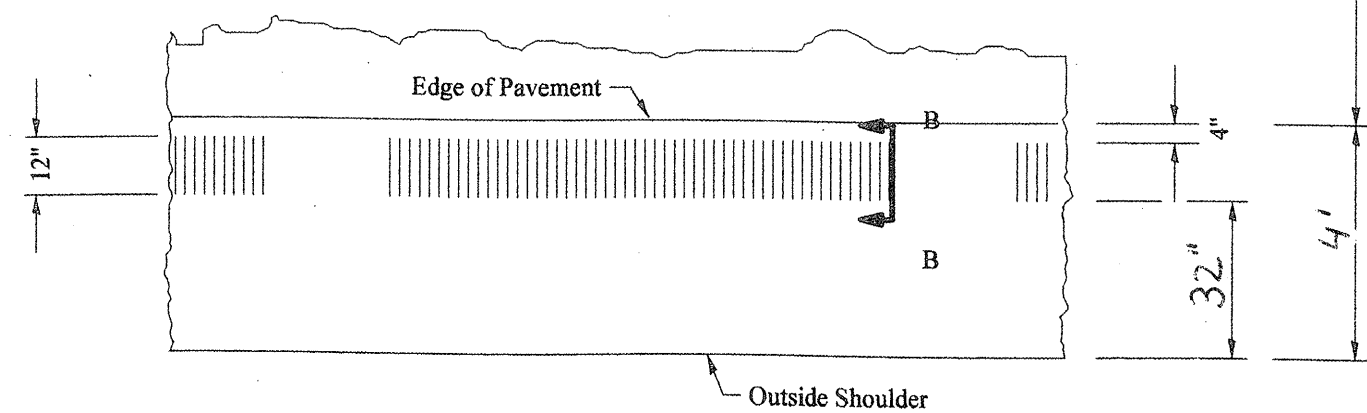


GENERAL NOTES

1. THIS STANDARD GIVES CONSTRUCTION INSTALLATION DETAILS ONLY AND DOES NOT DETERMINE WHEN OR WHERE RUMBLE STRIPS ARE TO BE USED.
2. RUMBLE STRIPS SHALL BE OMITTED AT TURN AND AUXILIARY LANES, ROAD APPROACHES, RESIDENCE, 250 FT. BEFORE ROAD INTERSECTIONS, AND OTHER INTERRUPTIONS AS DIRECTED BY THE PROJECT ENGINEER.



SECTION A-A
(Not to Scale)



SECTION B-B
(Not to Scale)

INTERMITTENT RUMBLE STRIP
(Not to Scale)

FILE NAME = 0468960-sht-plan.dgn	USER NAME = mendespj	DESIGNED -	REVISED -	STATE OF ILLINOIS DEPARTMENT OF TRANSPORTATION	INTERMITTENT RUMBLE STRIP DETAIL	F.A.P. RTE.	SECTION	COUNTIES	TOTAL SHEETS	SHEET NO.	
		DRAWN -	REVISED -							329	173
		CHECKED -	REVISED -							CONTRACT NO. 68559	
		DATE -	REVISED -			SCALE: NONE	SHEET NO. OF SHEETS	STA. TO STA.	ILLINOIS FED. AID PROJECT		