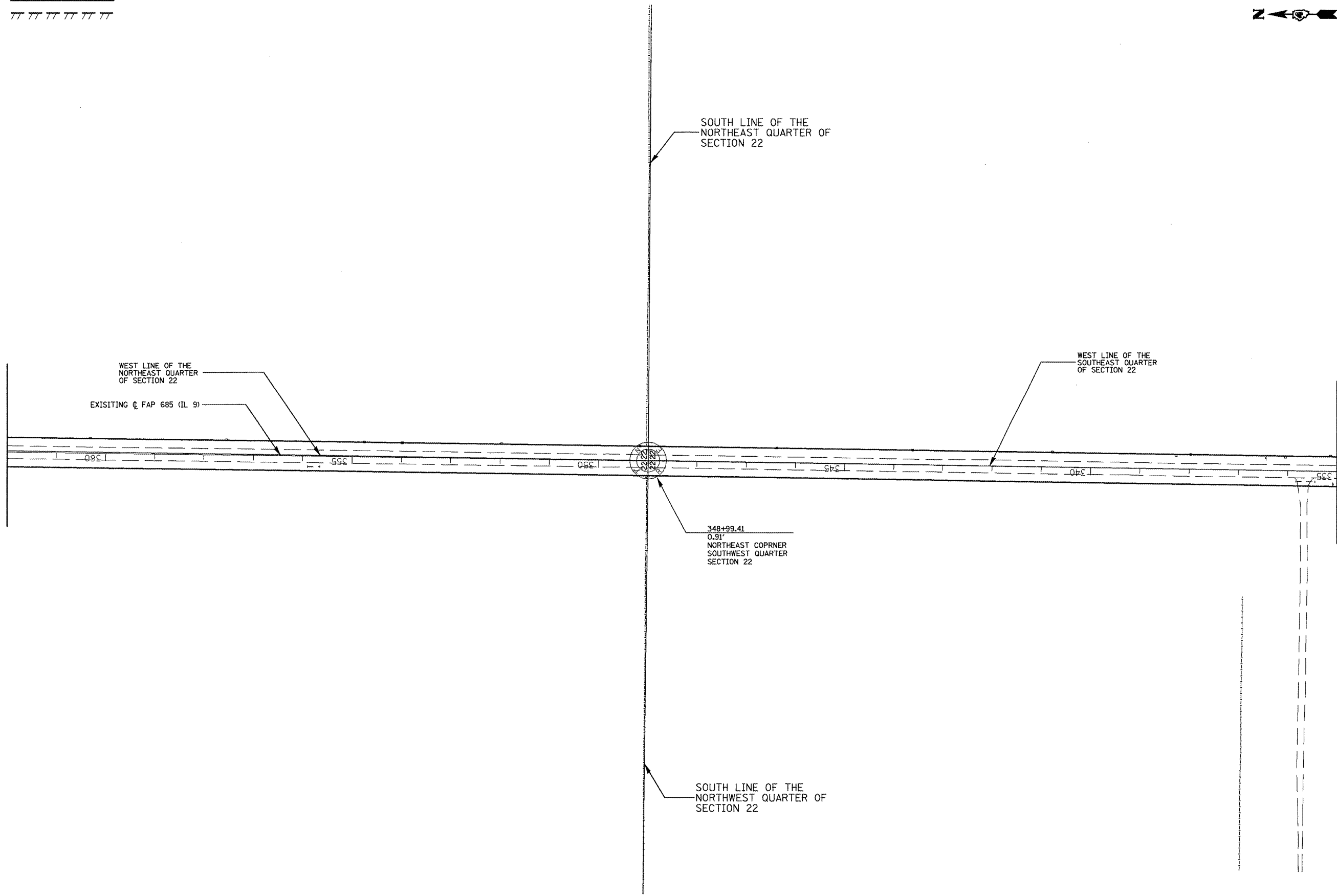
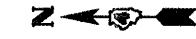


Section 22 T 7 N R 1 E 4th P.M.

PROPOSED RIGHT OF WAY LINE
 EXISTING RIGHT OF WAY LINE
 PROPOSED TEMPORARY EASEMENT LINE



FOR OLD R.O.W. SEE:
 PLANFILE 5 SHEET 35
 Plat File: 39

FILE NAME = 119/119.m32	USER NAME = crespole	DESIGNED - PCF	REVISED -
		DRAWN - MLA	REVISED -
	PLDT SCALE = 200.0000 ' / IN.	CHECKED - PCF	REVISED -
	PLDT DATE = 4/6/2011	DATE - 01-2011	REVISED -

**STATE OF ILLINOIS
 DEPARTMENT OF TRANSPORTATION**

RIGHT OF WAY PLANS

R-94-010-07
 SCALE: 1"=100' SHEET NO. OF SHEETS STA. 335+00.00 TO STA. 362+00.00

F.A.P. RTE.	SECTION	COUNTY	TOTAL SHEETS	SHEET NO.
685	**	*	329	182
Cat.# 032750-02		CONTRACT NO. 68599		
ILLINOIS FED. AID PROJECT				