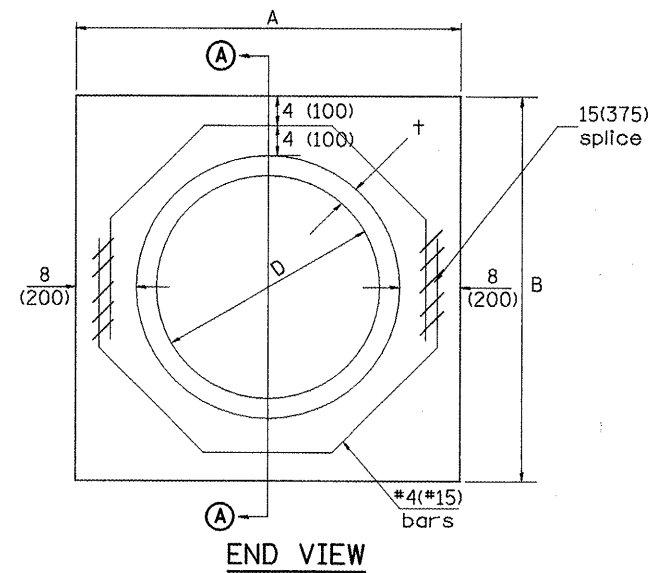
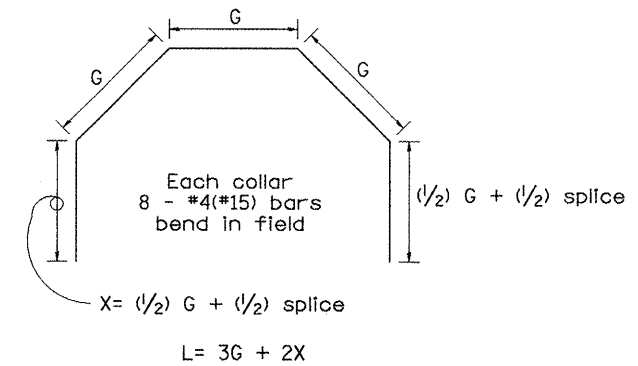


SECTION A - A



END VIEW



				Each Collar					
				Reinforcement Bars					
D	+	A	B	CL. SI CONC.	G	X	L	Weight	
in (mm)	in (mm)	ft (m)	ft (m)	cu. yd. (m <sup>3</sup> )	in (mm)	in (mm)	ft (m)	lb (kg)	
12 (300)	2.00 (51)	2.67 (0.814)	2.67 (0.814)	0.4 (0.270)	9 <sup>15</sup> / <sub>16</sub> (253)	12 <sup>7</sup> / <sub>16</sub> (317)	4.57 (1.393)	24 (11)	
15 (375)	2.25 (57)	2.96 (0.902)	2.96 (0.902)	0.4 (0.315)	11 <sup>3</sup> / <sub>8</sub> (290)	13 <sup>3</sup> / <sub>16</sub> (335)	5.05 (1.541)	27 (12)	
18 (450)	2.50 (64)	3.25 (0.991)	3.25 (0.991)	0.5 (0.362)	12 <sup>13</sup> / <sub>16</sub> (327)	13 <sup>7</sup> / <sub>8</sub> (354)	5.54 (1.689)	30 (14)	
21 (525)	2.75 (70)	3.54 (1.079)	3.54 (1.079)	0.5 (0.411)	14 <sup>1</sup> / <sub>4</sub> (364)	14 <sup>5</sup> / <sub>8</sub> (372)	6.02 (1.836)	32 (15)	
24 (600)	3.00 (76)	3.83 (1.167)	3.84 (1.167)	0.6 (0.460)	15 <sup>11</sup> / <sub>16</sub> (401)	15 <sup>5</sup> / <sub>16</sub> (391)	6.51 (1.984)	35 (16)	
27 (675)	3.25 (83)	4.13 (1.259)	4.13 (1.259)	0.7 (0.516)	17 <sup>1</sup> / <sub>4</sub> (438)	16 <sup>1</sup> / <sub>16</sub> (409)	6.99 (2.131)	37 (17)	
30 (750)	3.50 (89)	4.42 (1.347)	4.42 (1.347)	0.7 (0.570)	18 <sup>11</sup> / <sub>16</sub> (475)	16 <sup>3</sup> / <sub>4</sub> (428)	7.48 (2.279)	40 (18)	
33 (825)	3.75 (95)	4.71 (1.436)	4.71 (1.436)	0.8 (0.624)	20 <sup>1</sup> / <sub>8</sub> (512)	17 <sup>1</sup> / <sub>2</sub> (446)	7.96 (2.426)	43 (19)	
36 (900)	4.00 (102)	5.00 (1.524)	5.00 (1.524)	0.9 (0.682)	21 <sup>9</sup> / <sub>16</sub> (549)	18 <sup>3</sup> / <sub>16</sub> (465)	8.44 (2.574)	45 (20)	
42 (1050)	4.50 (114)	5.58 (1.701)	5.58 (1.701)	1.0 (.800)	24 <sup>7</sup> / <sub>16</sub> (622)	19 <sup>3</sup> / <sub>4</sub> (501)	9.41 (2.869)	50 (23)	
48 (1200)	5.00 (127)	6.17 (1.881)	6.17 (1.881)	1.2 (0.930)	27 <sup>5</sup> / <sub>16</sub> (696)	21 <sup>3</sup> / <sub>16</sub> (538)	10.38 (3.164)	55 (25)	

GENERAL NOTES

1. THE COLLAR SHALL BE CONSTRUCTED ENTIRELY OF CLASS SI CONCRETE IN ACCORDANCE WITH THE APPLICABLE PORTIONS OF SECTION 503 OF THE STANDARD SPECIFICATIONS. REINFORCEMENT BARS SHALL CONFORM TO SECTION 508.

QUANTITIES

CALC. BY: R. J. D. 2-2-98  
 CHECKED BY: R. D. H. 2-6-98  
 DATE: DATE:

QUANTITY CALCULATIONS ARE ON FILE AT THE DISTRICT 4 OFFICE, BUREAU OF PROJECT IMPLEMENTATION, DOCUMENTATION SECTION

01-01-97	RENUM. B-8.03, NEW REVISION BOX, REVISED	T.P.	09-01-00	CORRECT WEIGHT	J.A.
04-01-97	TITLE BOX, ADDED QUANTITY CALCULATION BOX	J.A.	10-16-06	REV. TO 2007 SPEC., CORRECT mm UNITS	M.A.
02-10-98	CORRECT BAR	J.A.			
	REVISE QUANTITIES	J.A.			

STATE OF ILLINOIS  
 DEPARTMENT OF TRANSPORTATION

PIPE CULVERT EXTENSION COLLAR (WITHOUT END SECTION)

NOT TO SCALE

CADD STD. 542016-D4

All dimensions are in inches (millimeters) unless otherwise noted.

F.A.P. RTE.	SECTION	COUNTY	TOTAL SHEETS	SHEET NO.
685	..	.	329	201
CONTRACT NO. 68599			FED. ROAD DIST. NO. ILLINOIS FED. AID PROJECT	