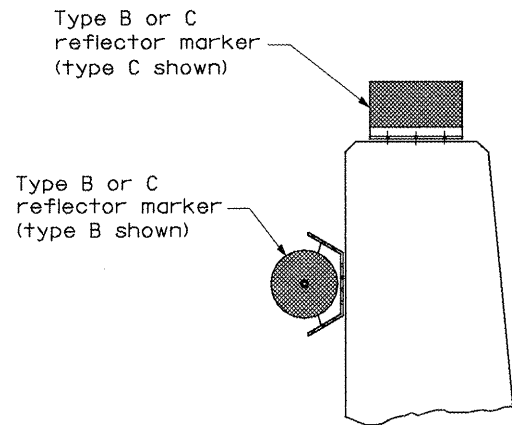
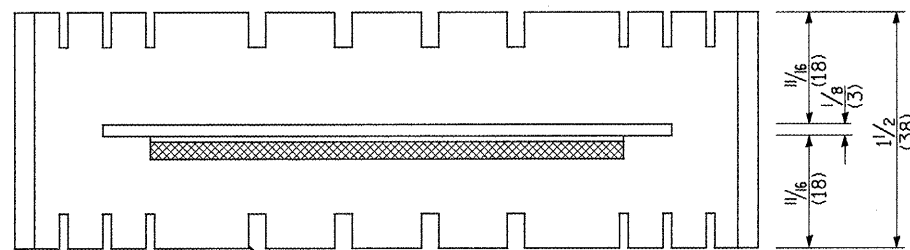


TYPICAL MOUNTING DETAIL FOR BRIDGE RAIL REFLECTOR

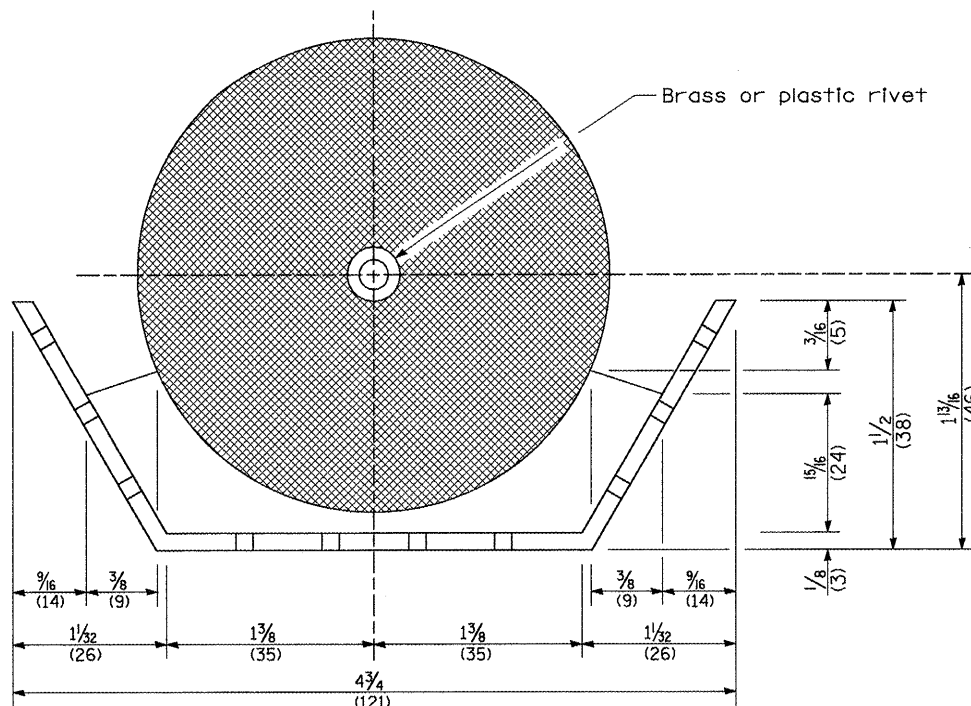


TYPICAL MOUNTING DETAIL FOR BARRIER WALL REFLECTOR

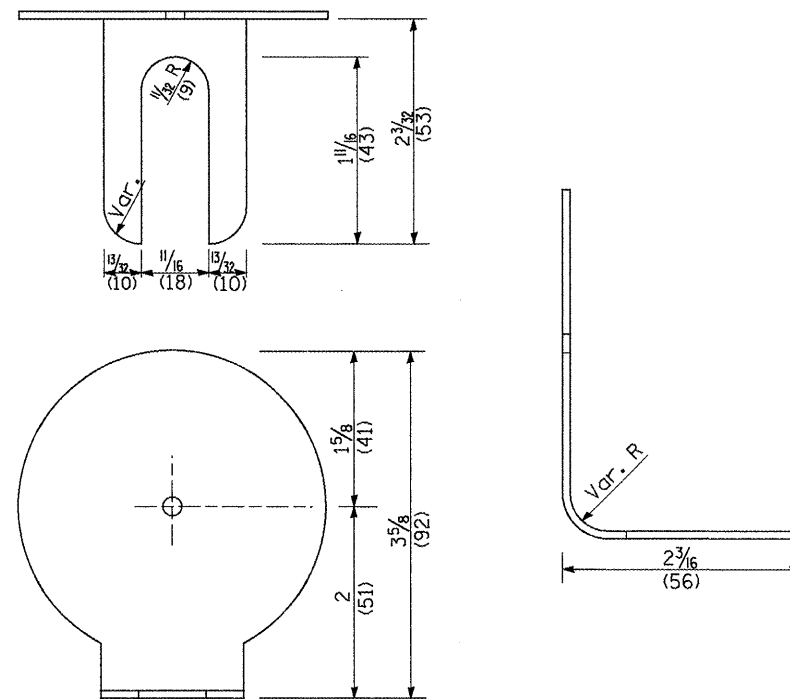
REFLECTOR MOUNTING



Adhesive weep slots or holes equally spaced on both sides

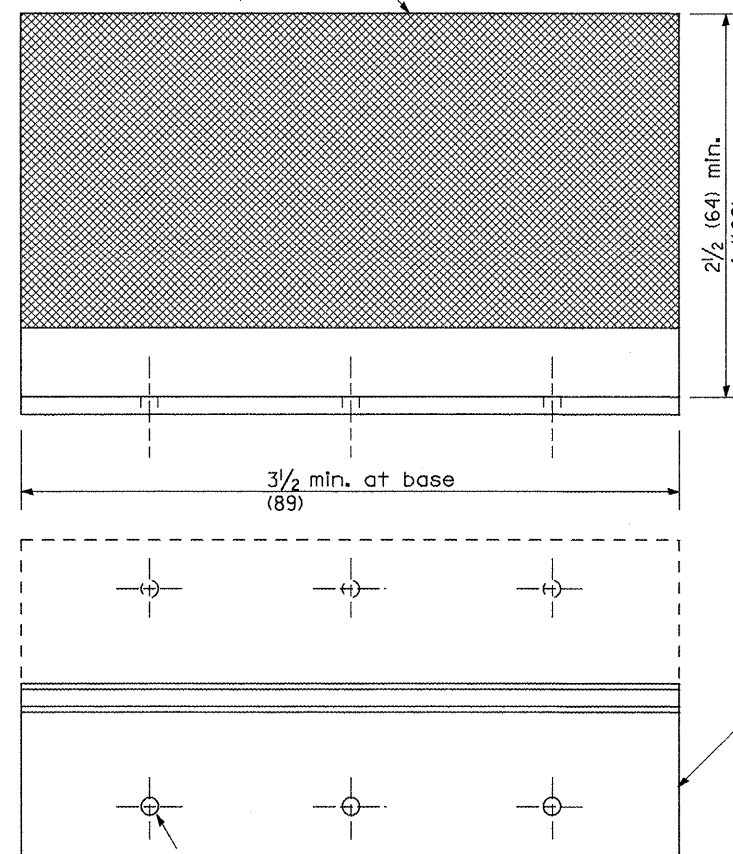


REFLECTOR MARKER TYPE B



REFLECTOR MARKER TYPE A

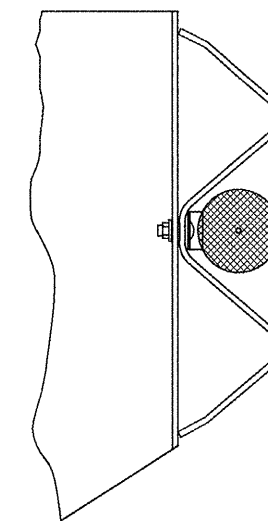
Min. reflective area 6 1/2 sq. in. (4,194 mm<sup>2</sup>) each side. May be rectangular or slight trapezoid.



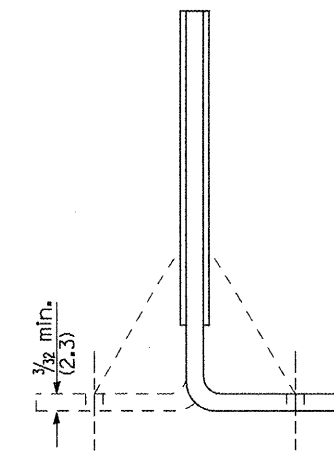
REFLECTOR MARKER TYPE C

3 min. adhesive weep holes or slots each side, variable spacing.

Minimum total area of base 7.0 Sq. in. (4,516 mm<sup>2</sup>)



TYPICAL GUARDRAIL MOUNTING WITH REFLECTOR MARKER TYPE A



Cross section may be "T" or "L" shaped and may have side supports at ends.

REFLECTORS

All dimensions are in inches (millimeters) unless otherwise noted.

F.A.P. RTE.	SECTION	COUNTY	TOTAL SHEETS	SHEET NO.
685	**	*	329	207
FED. ROAD DIST. NO. ILLINOIS FED. AID PROJECT			CONTRACT NO. 68599	