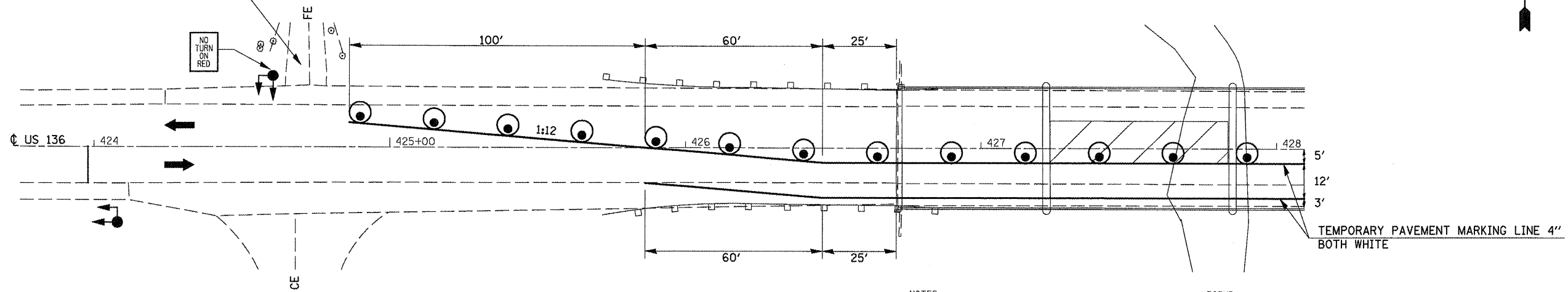


## STAGE I CONSTRUCTION DETAIL LOCATION #2

CLOSE THIS ENTRANCE FOR PROJECT DURATION  
USE ALTERNATE ENTRANCE TO THE WEST



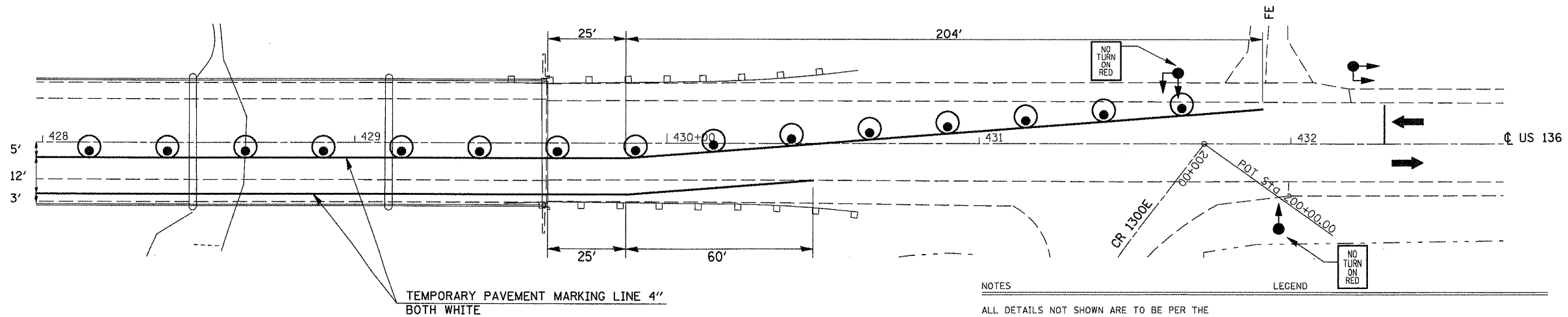
**NOTES**

ALL DETAILS NOT SHOWN ARE TO BE PER THE REQUIREMENTS OF TC&P STD. 701316.  
FOR ADDITIONAL TRAFFIC CONTROL DETAILS, SEE THE TRAFFIC CONTROL PLAN IN THE CONTRACT PROVISIONS.

**LEGEND**

- VERTICAL PANELS WITH LIGHT @ 25' CENTER (4 EACH STAGE)
- TRAFFIC
- TEMPORARY TRAFFIC SIGNAL
- WORK AREA

## STAGE I CONSTRUCTION DETAIL LOCATION #2



**NOTES**

ALL DETAILS NOT SHOWN ARE TO BE PER THE REQUIREMENTS OF TC&P STD. 701316.  
FOR ADDITIONAL TRAFFIC CONTROL DETAILS, SEE THE TRAFFIC CONTROL PLAN IN THE CONTRACT PROVISIONS.

**LEGEND**

- DRUM W/ STEADY BURNING LIGHT
- TRAFFIC
- TEMPORARY TRAFFIC SIGNAL
- WORK AREA

• FAP 322 / FAP 315  
•• POSTING MITIGATION FY2011-2  
••• DEWITT / MCLEAN

|  |                    |            |           |
|--|--------------------|------------|-----------|
| FILE NAME =  | USER NAME = keys-b | DESIGNED - | REVISED - |
| es:\pw_work\pwsdot\keys-b\d248810\057085-5-ht-Detail.dgn |                    | DRAWN -    | REVISED - |
| PLOT SCALE = 40.0001' / IN.                              |                    | CHECKED -  | REVISED - |
| PLOT DATE = 2/4/2011                                     |                    | DATE -     | REVISED - |

**STATE OF ILLINOIS  
DEPARTMENT OF TRANSPORTATION**

**STAGE I CONSTRUCTION DETAIL  
LOCATION #2**

SCALE: SHEET NO. OF SHEETS STA. TO STA.

|                    |         |        |                           |           |
|--------------------|---------|--------|---------------------------|-----------|
| F.A.P. RTE.        | SECTION | COUNTY | TOTAL SHEETS              | SHEET NO. |
| •                  | ••      | •••    | 16                        | 7         |
| CONTRACT NO. 70895 |         |        | ILLINOIS FED. AID PROJECT |           |