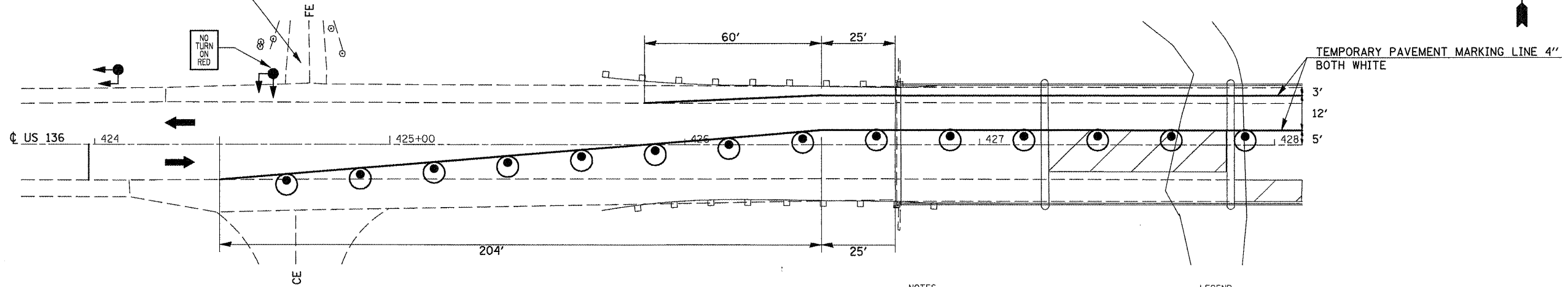


STAGE II CONSTRUCTION DETAIL LOCATION #2





CLOSE THIS ENTRANCE FOR PROJECT DURATION
USE ALTERNATE ENTRANCE TO THE WEST



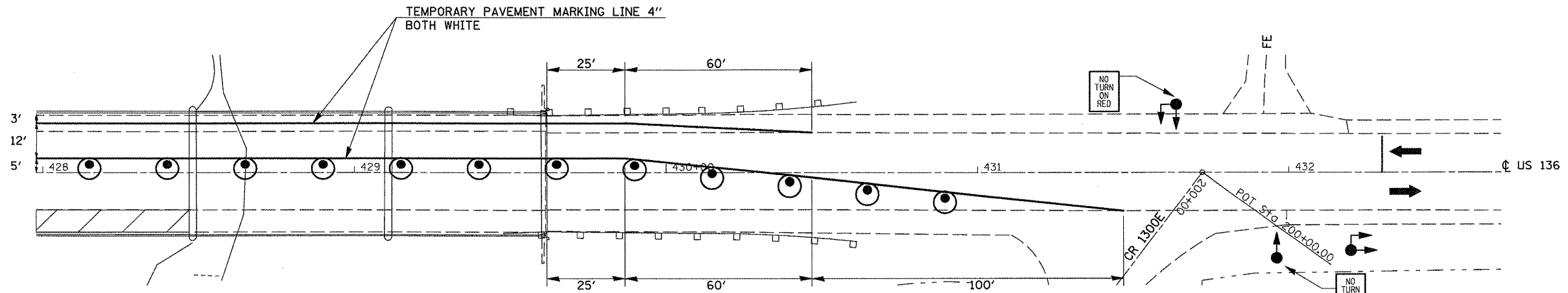
NOTES

ALL DETAILS NOT SHOWN ARE TO BE PER THE REQUIREMENTS OF TC&P STD. 701316.
FOR ADDITIONAL TRAFFIC CONTROL DETAILS, SEE THE TRAFFIC CONTROL PLAN IN THE CONTRACT PROVISIONS.

LEGEND

-  DRUM W/ STEADY BURNING LIGHT
-  TRAFFIC
-  TEMPORARY TRAFFIC SIGNAL
-  WORK AREA





STAGE II CONSTRUCTION DETAIL LOCATION #2



NOTES

ALL DETAILS NOT SHOWN ARE TO BE PER THE REQUIREMENTS OF TC&P STD. 701316.
FOR ADDITIONAL TRAFFIC CONTROL DETAILS, SEE THE TRAFFIC CONTROL PLAN IN THE CONTRACT PROVISIONS.

LEGEND

-  DRUM W/ STEADY BURNING LIGHT
-  TRAFFIC
-  TEMPORARY TRAFFIC SIGNAL
-  WORK AREA

• FAP 322 / FAP 315
•• POSTING MITIGATION FY2011-2
••• DEWITT / MCLEAN

FILE NAME =	USER NAME = keyarb	DESIGNED -	REVISED -
ct:\pw\work\pwwdot\keyarb\d248810\05700	5-sht-Details.dgn	DRAWN -	REVISED -
	PLOT SCALE = 48.0001' / IN.	CHECKED -	REVISED -
	PLOT DATE = 2/4/2011	DATE -	REVISED -

**STATE OF ILLINOIS
DEPARTMENT OF TRANSPORTATION**

**STAGE II CONSTRUCTION DETAIL
LOCATION #2**

SCALE: SHEET NO. OF SHEETS STA. TO STA.

F.A.P. RTE.	SECTION	COUNTY	TOTAL SHEETS	SHEET NO.
•	••	•••	16	8
CONTRACT NO. 70895				
ILLINOIS FED. AID PROJECT				