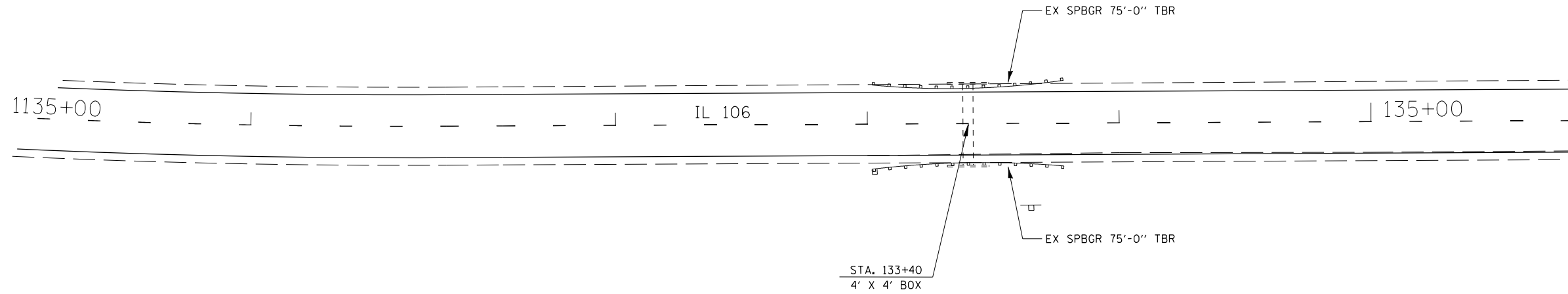
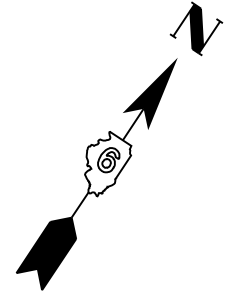
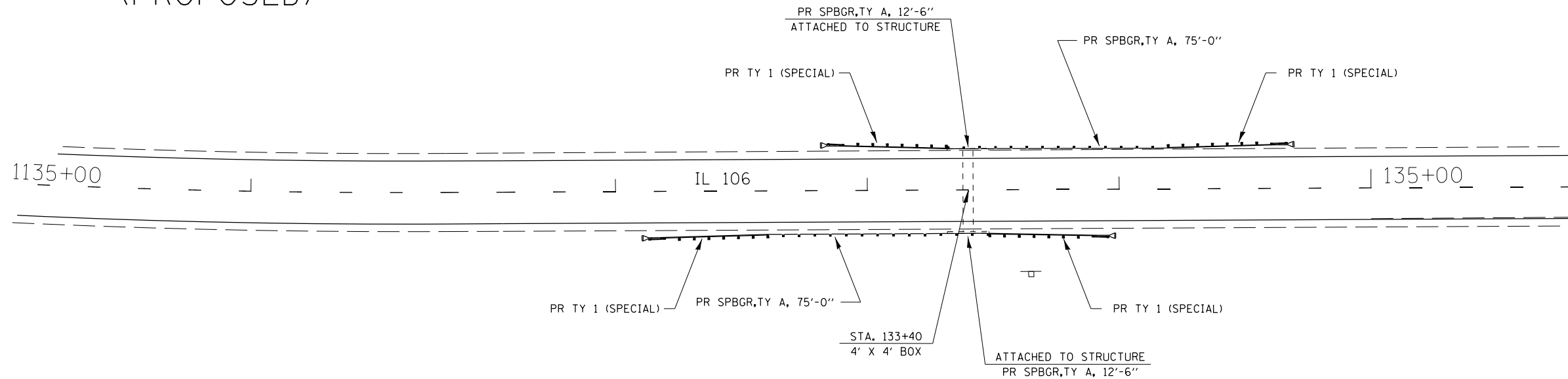
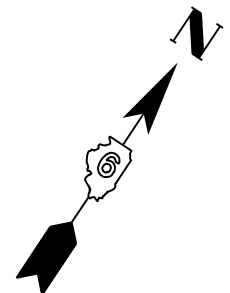


SPECIAL DETAIL  
 LOCATION "F" ON IL 106  
 (EXISTING)



SPECIAL DETAIL  
 LOCATION "F" ON IL 106  
 (PROPOSED)



FILE NAME =	USER NAME = Sparksgw	DESIGNED -	REVISED -
c:\pwork\pwork\sparksgw\0247448\0672E16-sht-Guardrail-detail.dgn		DRAWN -	REVISED -
	PLOT SCALE = 100.0000' / in.	CHECKED -	REVISED -
	PLOT DATE = Mar-23-2011 03:44:56PM	DATE -	REVISED -

**STATE OF ILLINOIS  
 DEPARTMENT OF TRANSPORTATION**

**D6 GUARDRAIL END REPL  
 GUARDRAIL DETAIL SHEETS**

SCALE:      SHEET NO.    OF    SHEETS    STA.      TO STA.

F.A.P. RTE.	SECTION	COUNTY	TOTAL SHEETS	SHEET NO.
VAR.	**	*	17	12
CONTRACT NO. 72E16				